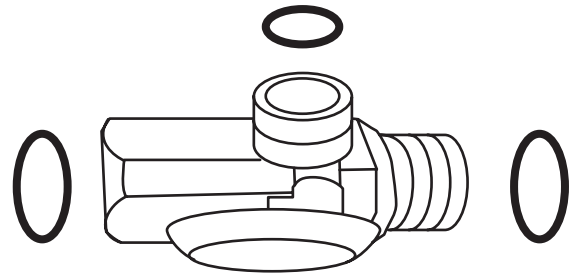


DESCRIPTION

- Chrome plated brass and synthetic materials

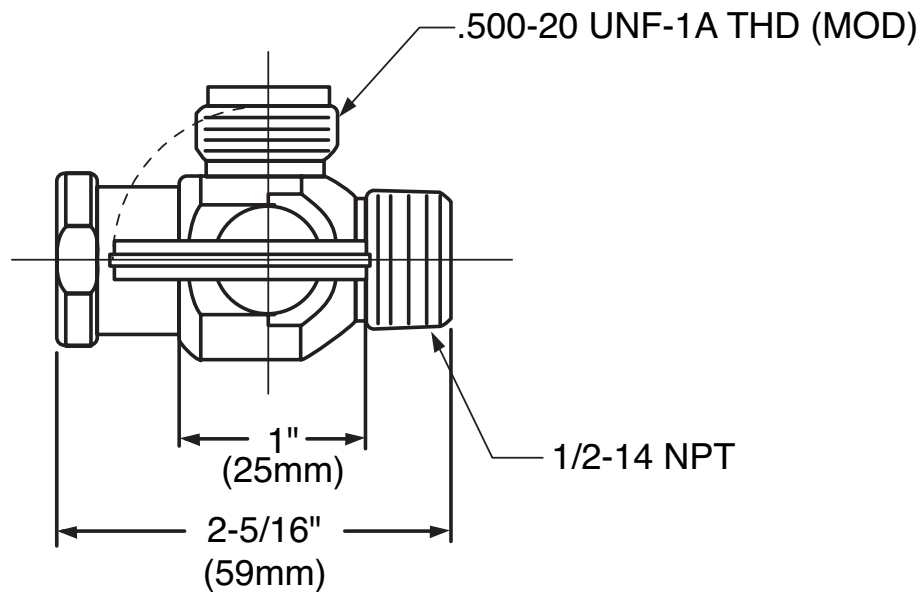
WARRANTY

- Warranted for 5 years against material or manufacturing defects



**Shower Arm Diverter
With Gaskets**

Model: 52706



CRITICAL DIMENSIONS

(DO NOT SCALE)