



Buy it for looks. Buy it for life.®

Specifications

DESCRIPTION

- Metal construction with various finishes identified by suffix
- High arc spout provides the height and reach to fill or clean large pots
- Single hole mounting
- Flexible supply lines with 3/8" compression fittings
- 360° rotating spout provides ability to install handle on either side

OPERATION

- Single handle lever
- Temperature controlled by 100° arc of handle travel

FLOW

- Flow is limited to 2.2 gpm (8.3 L/min) at 60 psi

CARTRIDGE

- 1255™ Duralast™ cartridge for Single-Handle Faucets

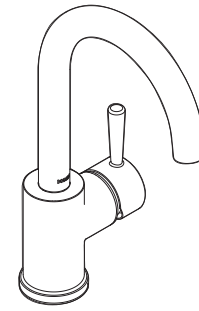
STANDARDS

- Third party certified to meet CSA B125.1, ASME A112.18.1 and all applicable requirements referenced therein including NSF61/9
- Contains no more than 0.25% weighted average lead content
- Complies with California Proposition 65 and with the Federal Safe Drinking Water Act

- ADA  for lever handle

WARRANTY

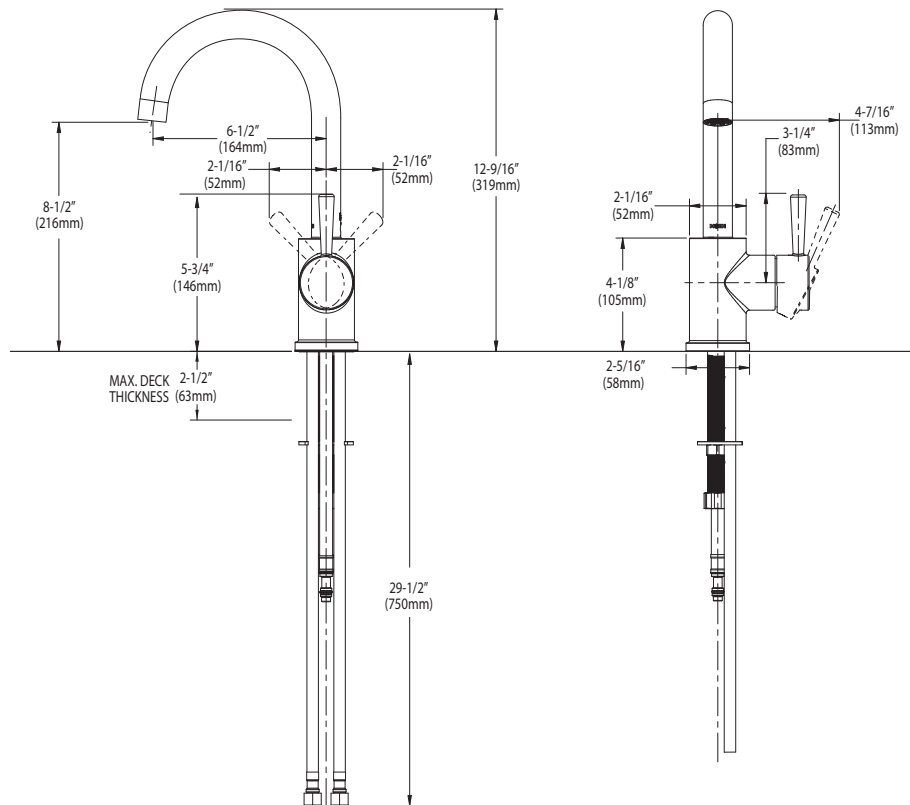
- Lifetime limited warranty against leaks, drips and finish defects to the original consumer purchaser
- 5 year warranty if used in commercial installations



LEVEL™
Single Handle Single Hole Mount
High Arc Bar/Prep Faucet

Models: 5100 series

NOTE: THIS FAUCET IS DESIGNED TO BE
 INSTALLED THRU 1 HOLE, 1-1/2" (38mm) MIN. DIA.
 (OPTIONAL 3-HOLE ESCUTCHEON
 141002 AVAILABLE)



CRITICAL DIMENSIONS

(DO NOT SCALE)