



Buy it for looks. Buy it for life.®

# Specifications

## DESCRIPTION

- Various finishes identified by suffix
- Handheld shower
- 69" double interlock spiral hose (metal)
- Vacuum breaker
- 30" slide bar with push button height selection

## OPERATION

- 4-function: massage, vigorous, full and combination: rotate outer ring to select
- Handshower holder rotates to adjust angle of hand shower

## FLOW

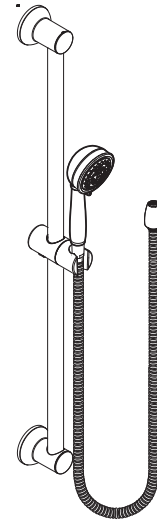
- Designed to deliver 2.5 gpm (9.5 L/min) at 80 psi
- EP suffix models are limited to 2.0 gpm (7.6 L/min) at 80 psi

## STANDARDS

- Designed and manufactured to comply with the applicable requirements of ASME A112.18.1/CSA B-125.1 and ASSE 1014 and all applicable specifications referenced therein
- EP suffix models are IAPMO Green listed

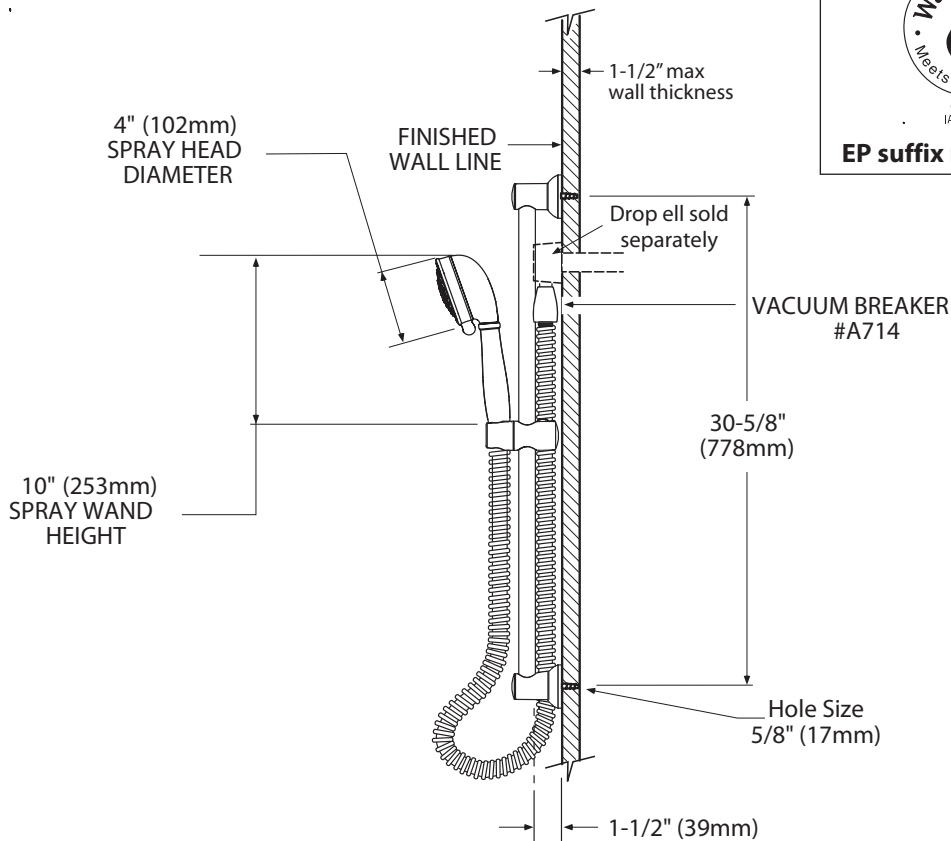
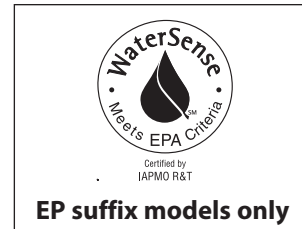
## WARRANTY

- Lifetime limited warranty against material or manufacturing defects



## 4-Function Massaging Handshower w/Slide Bar

Models: 3867 series



## CRITICAL DIMENSIONS

(DO NOT SCALE)

FOR MORE INFORMATION CALL: 1-800-BUY-MOEN

www.moen.com