

Recessed Fixtures Technical Specification

Recessed Soap Holders

2565

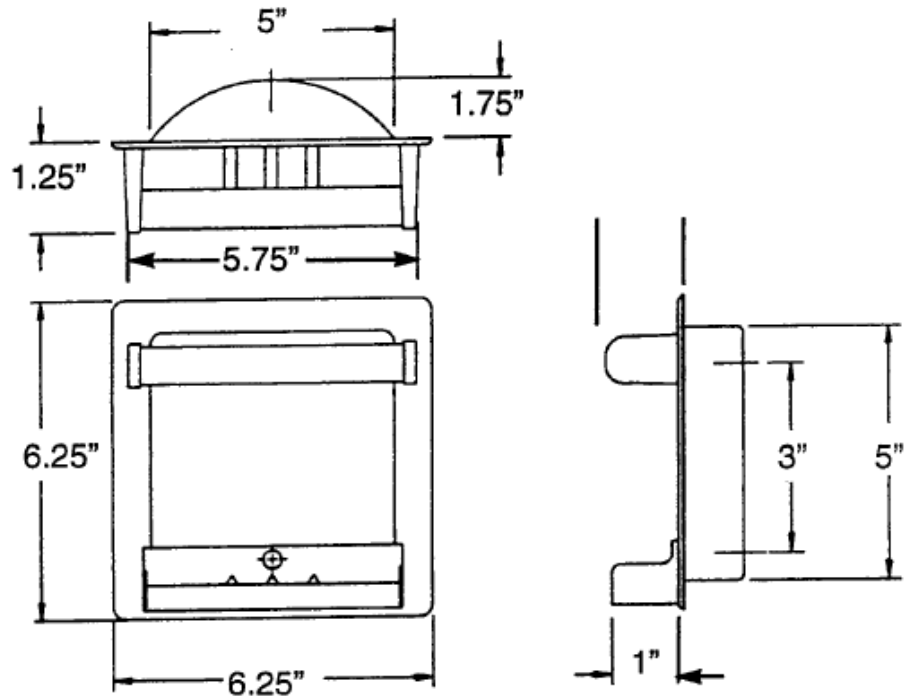
Stock Numbers:

- q **2565PB – Recessed Soap Holder**
Polished Brass Finish
Clear Removable Tray
- q **2565 – Recessed Soap Holder**
Polished Chrome Finish
Clear Removable Tray

Materials:

Recessed Soap Holders are die cast from highest quality zinc alloy (zamac), with a triple plated polished brass or polished chrome finish. Removable soap trays are clear plastic.

Dimensions:



Installation Instructions:

Cut out wall opening 5.25" x 5.25" x 1.875" depth. If wood blocking is available, install recess shell into opening using 2" screws (provided). If wood blocking is not available, use optional installation clamp: BR587 or 588.

Stock Number: _____ Recessed Soap Holder and
Utility Bar By CSI Bath Furnishings



25300 AL MOEN DRIVE • NORTH OLMSTED, OH 44070 (800) 321-8809 •
FAX: (800) 848-6636 • INTERNATIONAL: (440) 962-2000 •
FAX: (440) 962-2726 CUSTOMER SERVICE (USA): 800-882-0116
©Copyright CSI Bath Furnishing Division of Moen 02/22/01