

## SINK DESCRIPTION

- Manufactured of 20 gauge, type 301 nickel-bearing stainless steel
- Single bowl is 16" x 14" x 7"
- The sink ledge has three fixture mounting holes, 1-1/2" in diameter located 4" on center
- Has one 3-1/2" diameter recessed drain opening
- Is fully undercoated with a sound and temperature insulating material
- The exposed surfaces are polished to a lustrous satin tone finish
- Includes all necessary mounting hardware

## CUT OUT DIMENSIONS

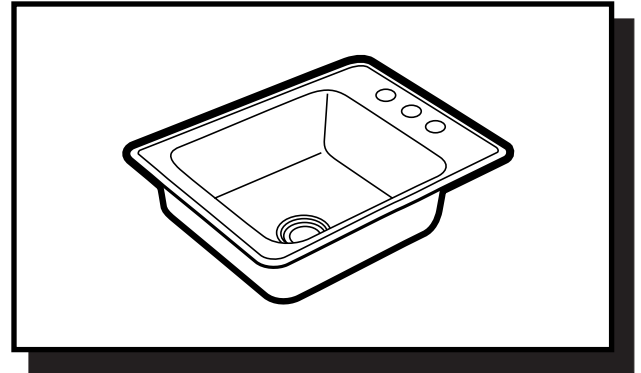
- Cut out dimensions are 16-1/2" x 21-1/2", with a 1-3/4" corner radius. A tolerance of plus or minus 1/16" is acceptable

## STANDARDS

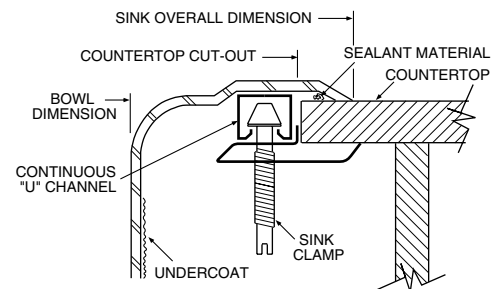
- Third party certified by IAPMO to meet ASME A112.19.3 and all applicable specifications referenced therein.

## WARRANTY

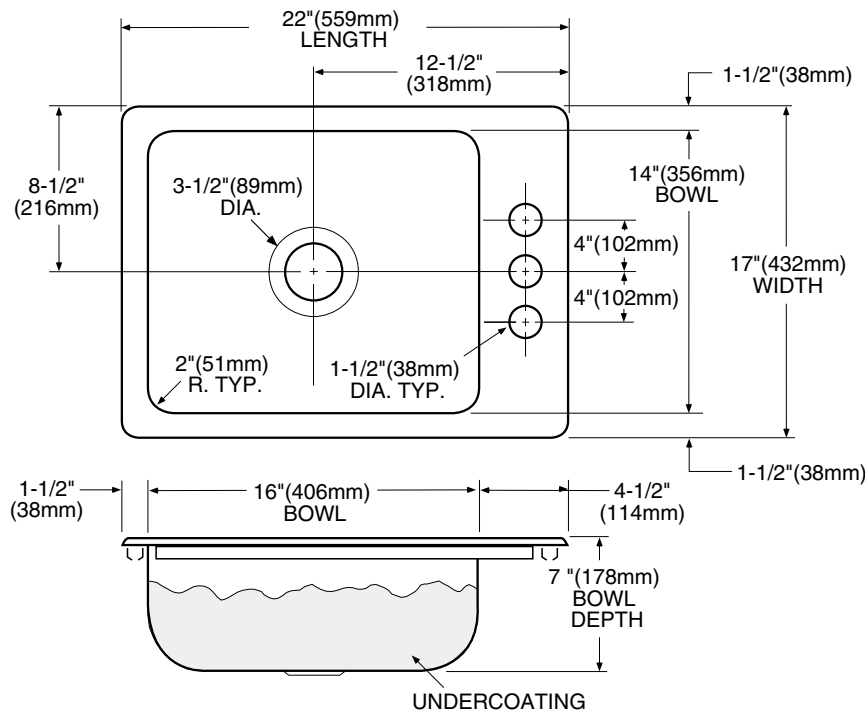
- Warranted for ten years against material or manufacturing defects



**Camelot®**  
**Single Bowl Kitchen Sink**  
**Model: 22231**  
**(K-1722-3-7)**



## Installation Detail



## CRITICAL DIMENSIONS

(DO NOT SCALE)