



Buy it for looks. Buy it for life.®

Specifications

DESCRIPTION

- Three distinct spray settings
- Easy to change spray settings
- Easy to grip handle
- Easy to clean spray face
- 60" flexible hose

OPERATION

- To experience the distinctly different showering sprays, rotate the function dial left or right to the desired position
- Install this product with a backflow preventer as required by the local plumbing code

FLOW

- Designed to deliver 2.5gpm (9.5L/min) max.

STANDARDS

- Third party certified to ASME A112.18.1/CSA B125.1 and all the applicable requirements referenced therein

WARRANTY

- Lifetime limited warranty



3-Function Hand Held Shower

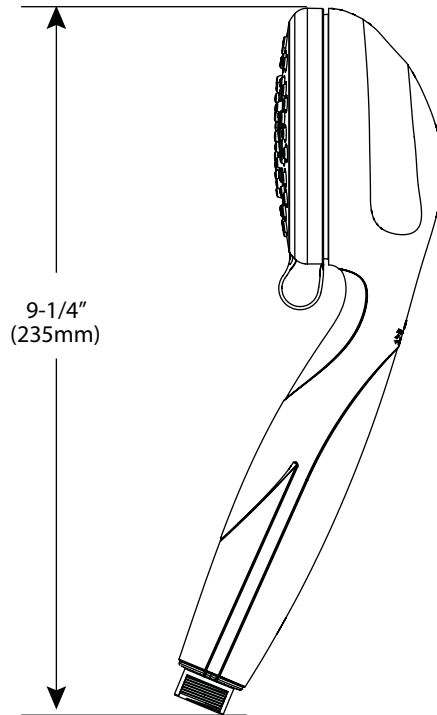
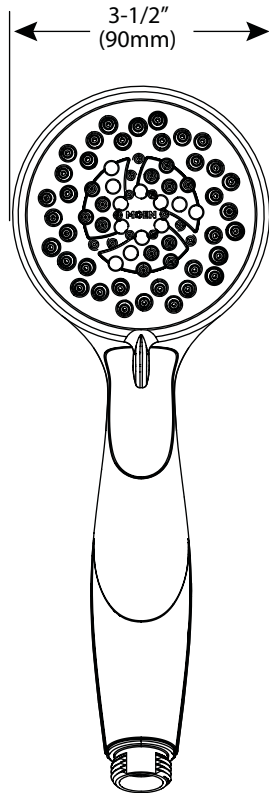
Model: 21334



Buy it for looks. Buy it for life.®



Inspire™
Feel the Difference



CRITICAL DIMENSIONS

(DO NOT SCALE)

FOR MORE INFORMATION CALL: 1-800-BUY-MOEN

www.moen.com