

# Contemporary Technical Specification

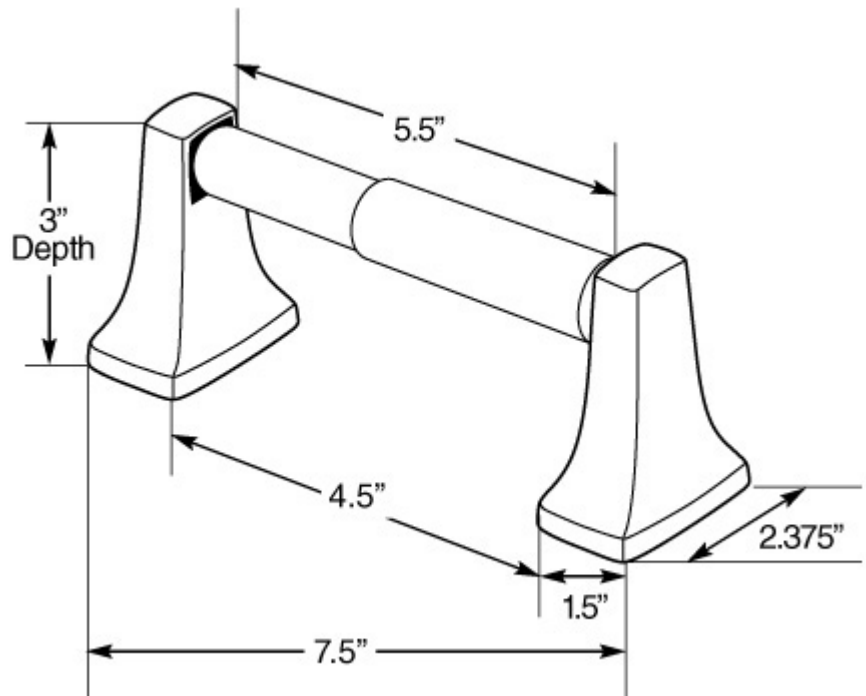
## Paper Holder

2050, 2080

### Stock Numbers:

- q **2050 – Paper Holder**  
Polished Chrome Finish  
Concealed Screw Mounting  
Matching Roller
- q **2080PB – Paper Holder**  
Polished Brass Finish  
Concealed Screw Mounting  
Matching Roller
- q **2080 – Paper Holder**  
Polished Chrome Finish  
Concealed Screw Mounting  
White Roller

### Dimensions:



### Installation Instructions:

1. Remove mounting brackets from back of fixtures by loosening the set screws.
  2. Position assembled unit on wall in desired location.
  3. Lightly mark the outlines of the bases of the unit.
  4. Center mounting brackets inside the outline.
  5. Mark hole locations. Attach brackets to wall using 1 3/8" screws (provided).
  6. Mount bases on brackets. Tighten set screws on the bottoms.
- Note: Wood blocking is preferable behind all wall surfaces.  
If wood blocking is not available, the following optional fasteners are suggested: Tile/Masonry – Plastic or Lead Anchors; Plaster/Drywall – Toggle Bolts.

### Cleaning Instructions:

To preserve the fine finish of this product, clean only with a soft damp cloth. Dry well. Do not use commercial or abrasive cleaners.

### Materials:

**Paper Holder** posts are die cast from highest quality zinc alloy (zamac). Castings are triple plated with a polished brass or polished chrome finish. 2050 roller is chrome plated plastic. 2080 roller is white plastic. Both rollers are spring loaded.

**Stock Number:** \_\_\_\_\_ **Paper Holder**  
By CSI Bath Furnishings



25300 AL MOEN DRIVE • NORTH OLMSTED, OH 44070 (800) 321-8809 •  
FAX: (800) 848-6636 • INTERNATIONAL: (440) 962-2000 •  
FAX: (440) 962-2726 CUSTOMER SERVICE (USA): 800-882-0116  
©Copyright CSI Bath Furnishing Division of Moen 02/22/01

Literature #BA0991