

# MISENO

— TAKE ME HOME —

## Lavatory Faucet Model ML120-PC

Polished Chrome



## Features

- Ceramic disc cartridge
- Lever style handle
- Optional deck plate included
- Matching pop-up drain included
- Flow rate: 1.5 gal/min / 5.7 L/min max. @ 60 psi

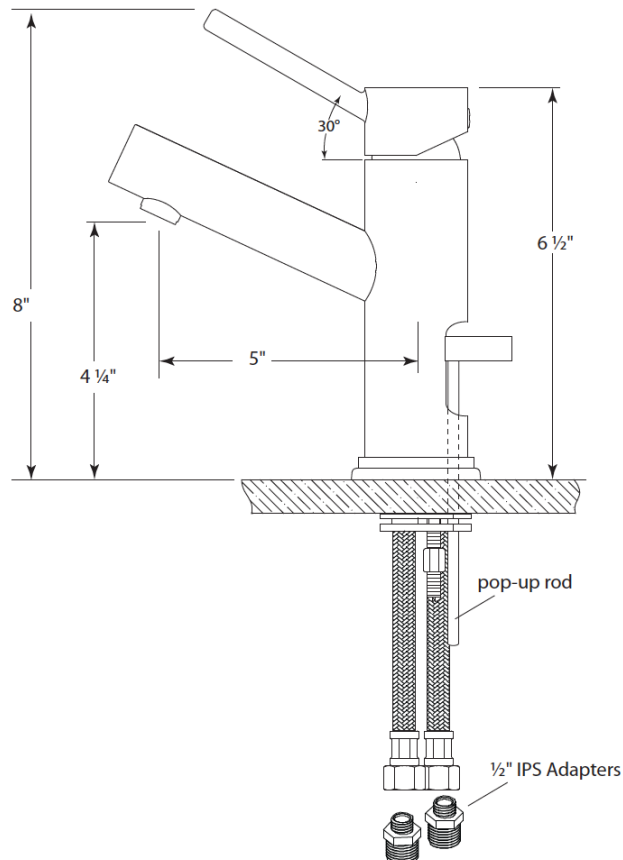
## Codes and Standards

Specified model meets or exceeds:

- ASME A112.18.1 / CSA B125.1
- NSF 61 Section 9
- IAPMO / UPC listed
- AB1953 low lead
- WaterSense
- ADA compliance to ANSI A117.1

## Installation Notes

- Requires 1-3/8" min. to 2" max. hole diameter
- Mounts in 1 or 3 holes
- Mounts with or without deck plate
- Maximum deck thickness: 2-1/2"
- 24" long supply hoses with 1/2" male NPSM and 3/8" compression supply connections



Limited lifetime warranty. See complete warranty statement for details.  
*Miseno reserves the right to make specification changes without notice or obligation*