

Mirabelle™

BRIDGEHURST COLLECTION

TWO-HANDLE WIDESPREAD LAVATORY FAUCET

Product Codes:

MIRWSBH800HCP (polished chrome)

MIRWSBH800HPN (polished nickel)

MIRWSBH800HSN (satin nickel)

- Solid brass construction
- 1.5 GPM water saving flow rate
- 6" to 16" installation spread
- Quarter-turn ceramic disc cartridge
- Brass push-activated drain assembly
- 1/2" connections
- High arc spout
- Lifetime limited warranty
- Meets ANSI: A112.18.1M
- NSF/ANSI Std. 61 compliant
- cUPC/IAPMO listed
- ADA compliant
- Replacement cartridge HOT available - MIR5711501
- Replacement cartridge COLD available - MIR5711505
- Compliant with lead content requirements of California AB 1953 & Vermont S.152



See dimensional drawing on back

©2010 Ferguson Enterprises, Inc. All Rights Reserved MIRWSBH001 1439 rev. 07/10



Mirabelle™

BRIDGEHURST COLLECTION

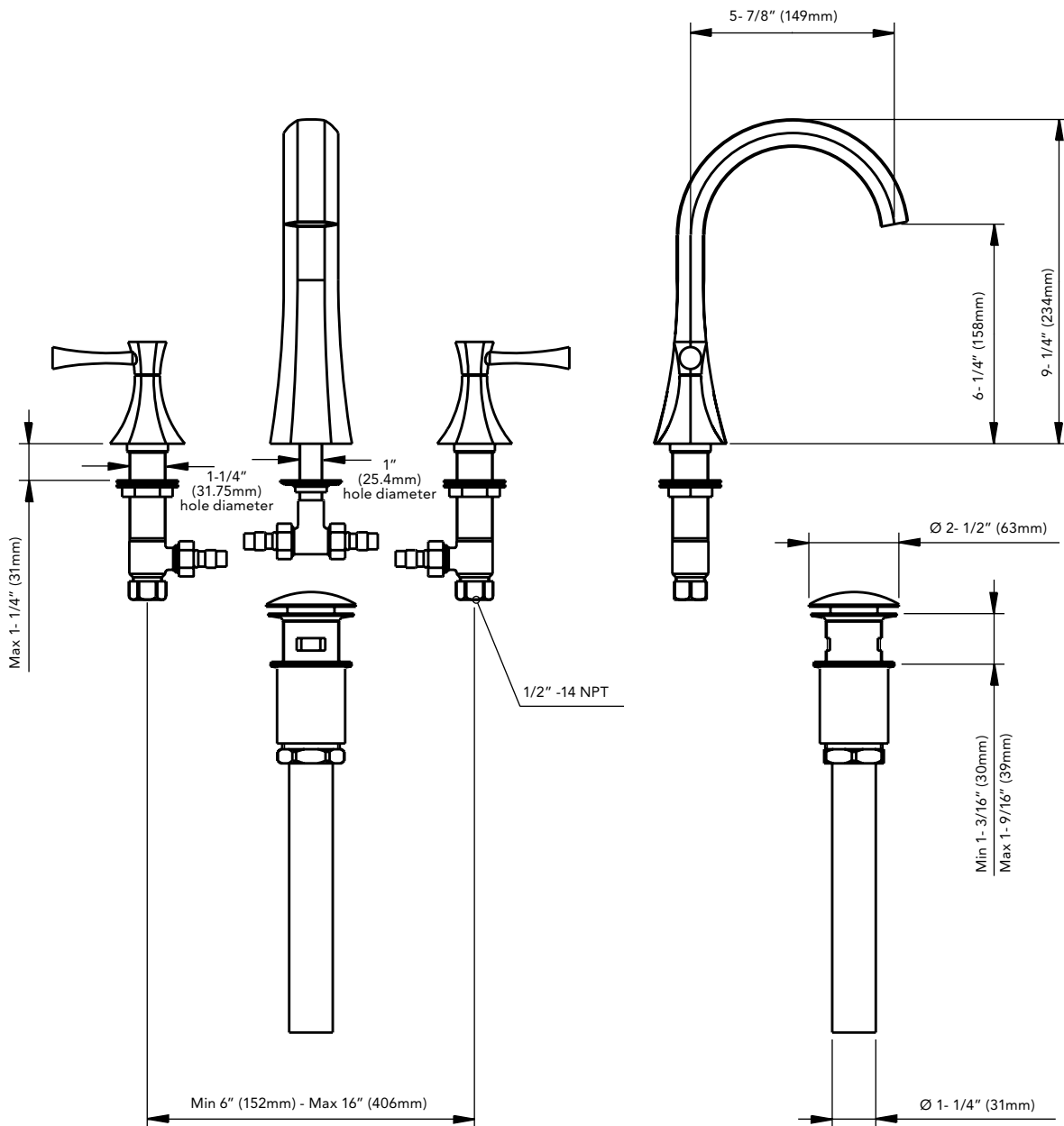
TWO-HANDLE WIDESPREAD LAVATORY FAUCET

Product Codes:

MIRWSBH800HCP (polished chrome)

MIRWSBH800HPN (polished nickel)

MIRWSBH800HSN (satin nickel)



All dimensions are based on original specifications and are subject to change and variation.

