

Mirabelle®

ARGONIA COLLECTION

SINGLE-HANDLE LAVATORY FAUCET

Product Codes:

MIRWSAR100CP (polished chrome)

MIRWSAR100BN (brushed nickel)

- Solid brass construction
- 1.5 GPM water saving aerator
- Single-hole installation
- Ceramic disc cartridge (replacement part # MIR5711602)
- Push-activated brass pop-up over flow drain assembly
- Stainless steel flexible supplies
- Recommended hole drilling: 1-3/8"
- Installation, operating, and care and maintenance instructions included
- Limited lifetime warranty
- Meets ANSI: A112.18.1M
- NSF/ANSI Std. 61 compliant
- cUPC/IAPMO listed
- ADA compliant
- Complies with lead content requirements of California AB 1953, Vermont S. 152, and Maryland HB 372
- Optional 4" escutcheon plate MIRCF346CP or MIRCF346BN



Mirabelle

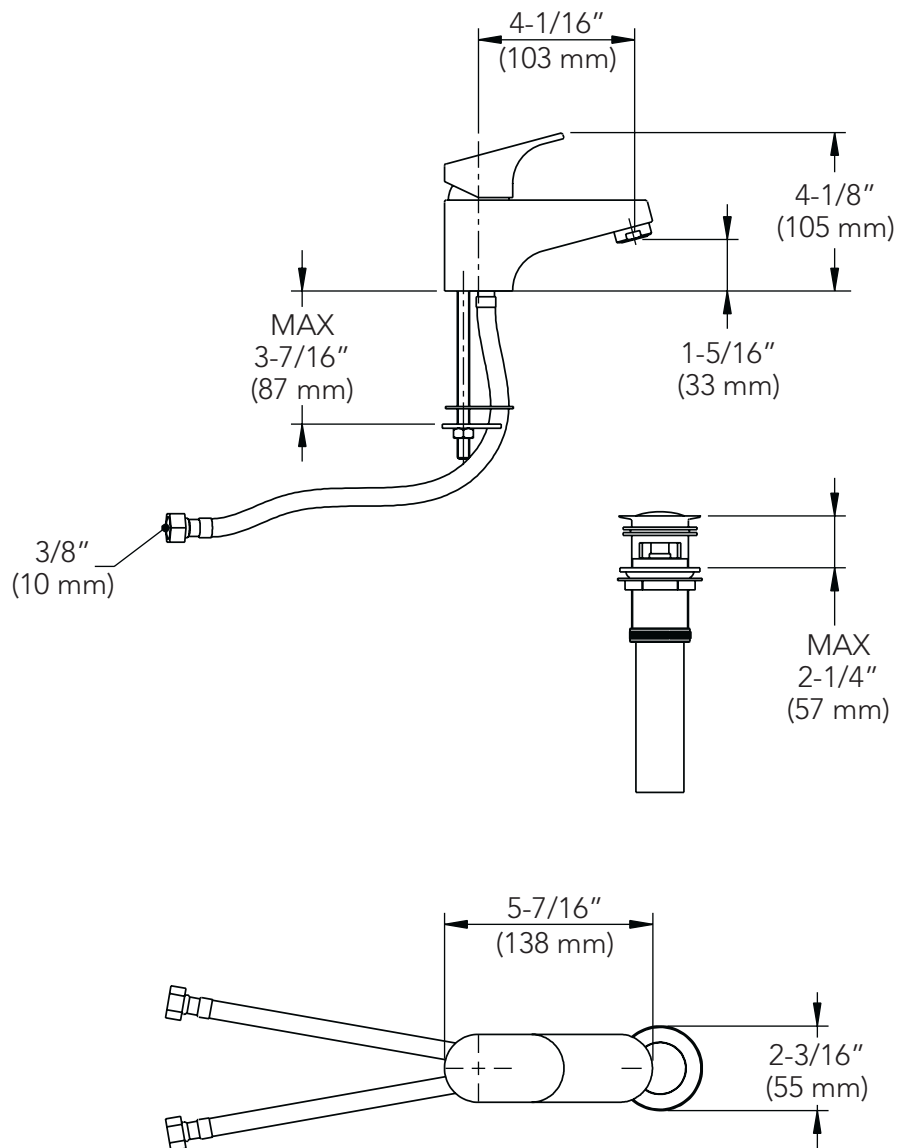
ARGONIA COLLECTION

SINGLE-HANDLE LAVATORY FAUCET

Product Codes:

MIRWSAR100CP (polished chrome)

MIRWSAR100BN (brushed nickel)



Note: All dimensions and specifications are nominal and may vary $\pm \frac{1}{4}$. Use actual products for accuracy in critical situations.