

Mirabelle®

UNDERMOUNT LAVATORY

Dimensions: 18-3/4" x 12-1/4" (interior)

Dimensions: 21" x 14-1/2" (exterior)

Product Codes:

MIRU1812WH (white)

MIRU1812BS (biscuit)

- Vitreous china with overflow
- Cutout template included
- Installation, operating, care and maintenance instructions included
- 1 year limited warranty
- Meets ASME Standard: A112.19.2M
- cUPC/IAPMO listed
- 6-5/16" internal basin depth
- 5-1/4" Basin depth to overflow



See dimensional drawing on back

© 2016 Ferguson Enterprises, Inc. All Rights Reserved 0516 191801



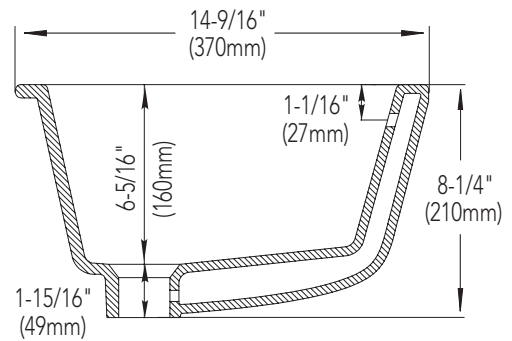
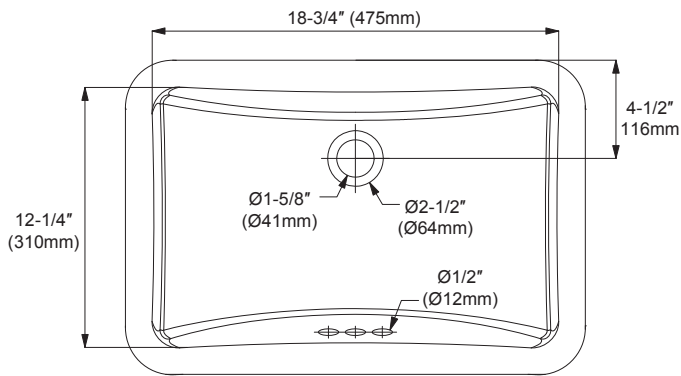
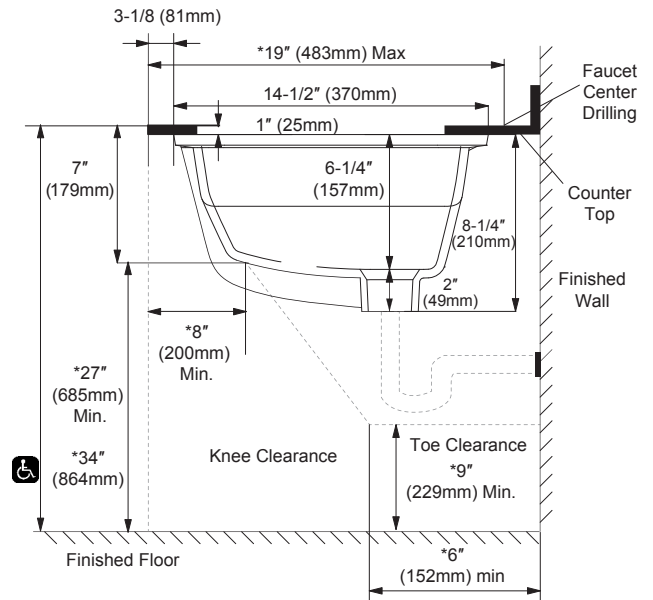
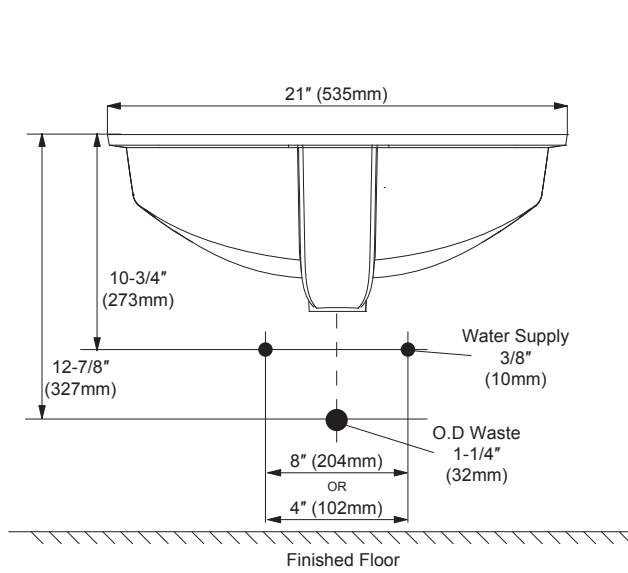
Mirabelle®

UNDERMOUNT LAVATORY

Product Codes:

MIRU1812WH (white)

MIRU1812BS (biscuit)



Note: All dimensions and specifications are nominal and may vary:
 Dimensions of 8" and greater have a tolerances of +3%.
 Dimensions less than 8" have a tolerances of +5%.