

# INSTALLATION INSTRUCTIONS

For Model # 83 (Rev. 05/10/2012)

**READ AND SAVE THESE INSTRUCTIONS**

**WARNING! SHUT POWER OFF AT FUSE OR CIRCUIT BREAKER.**  
**AVERTISSEMENT! COUPER LE COURANT AU NIVEAU DES FUSIBLES OU DU DISJONCTEUR.**

## ASSEMBLING THE FIXTURE (Fig.1)

- Carefully remove the fixture from the carton and check that all parts are included as shown in the illustration.
- To prevent scratches to the shade, place the Large Ring (C) over a clean soft surface (blanket or rug), and then put the Large Alabaster Shade (D) over the Ring.
- With the complete Light Assembly standing upright, engage the outside Drop Rods (B) to Housing (A) and secure with Lock Links.
- Hold the complete Light Assembly over the Alabaster Shade. Engage the bottom ends of the Drop Rods (B) to the Loops on the Ring(C) and secure with the Lock Links.

## HANGING THE FIXTURE (Fig. 2)

Shut off power at the circuit breaker and remove old fixture including the crossbar.

**IMPORTANT:** For a safe and secure installation, these fixtures must be installed by means of support that are independent of the outlet box.

### SUGGESTED INSTALLATION:

- Provide a 1/4" IPS pipe with one end securely mounted to a beam or a structural member. The other end should protrude through the center of the outlet box as shown.
- Assemble the ceiling loop, nipple, nuts and hickey to center 1/4" IPS support pipe and adjust overall length to allow the ring to hold the canopy flush to the ceiling. When the adjustments have been completed, secure the three nuts, as shown.
- Attach the chain to the fixture loop. Slip the lock collar and canopy over the upper end of the chain. Open the end link of chain and lift the fixture to attach to the ceiling loop and secure the link.
- Lace the fixture wires, ground and safety cable through the chain and loop, exiting through the side of hickey. Run cable through the top of the outlet box and secure to structural member.

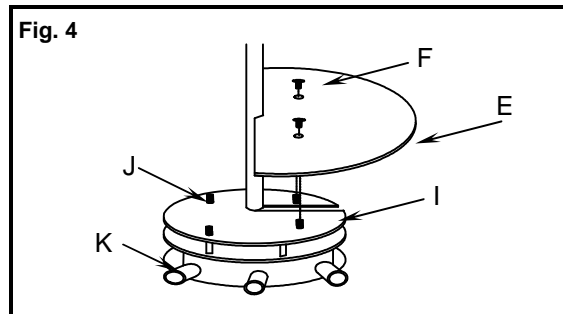
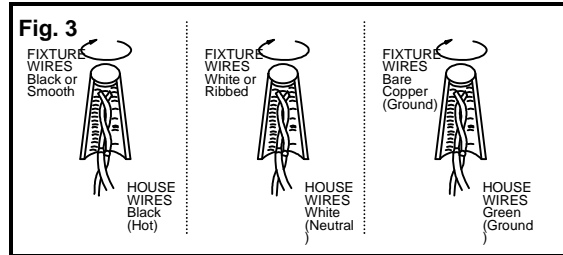
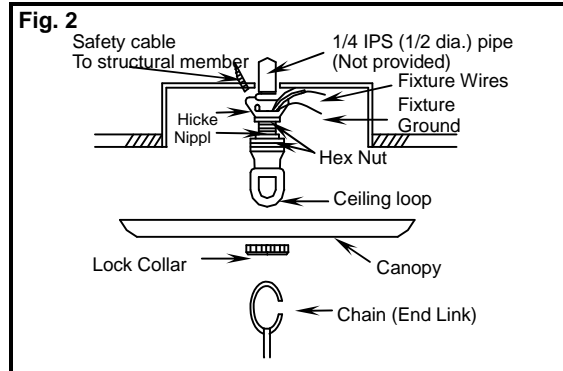
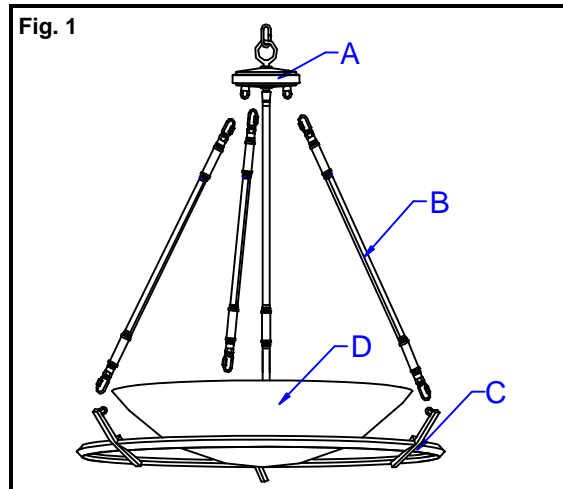
## CONNECTING THE WIRES (Fig. 3)

- At this point, connect the electrical wire as shown in figure 3, making sure that all wire connectors are secured. If your outlet has a ground wire (green or bare copper), connect the fixtures Ground Wire directly to the crossbar using the Green Screw provided.
  - Tuck these wire connections neatly into the ceiling junction box and then raise the canopy all the way to the ceiling. Raise the Lock Collar and thread onto ceiling Loop protruding through canopy.
  - Install the light bulbs in accordance with the fixture's specifications. **(DO NOT EXCEED THE MAXIMUM WATTAGE RATING!) (NE PAS DEPASSER LA PUISSANCE NOMINALE MAXIMALE!)**
  - (Fig. 4) Mount the Glass Bulb Shields (E), by placing them over the Studs (J) located on the Support Plate (I) of the Light Cluster (K). Place Washers over the Studs (J) and tighten with Knurled Knobs (F).
- Your installation is now complete. Return power to the junction box and test the fixture.

**Note:** Illustration (Fig. 1) on this manual is for installation purposes only. It may or may not be identical to the fixture purchased.

© Minka Lighting, Inc.

This product is protected by United States Federal and/or State Law, including Patent and/or Copyright laws."



Notice: It is important to use proper chain pliers (not included) To OPEN and CLOSE the chain included with this fixture. Do not open them with other tools that may twist or stress the chain links. It is important to use proper chain pliers like the ones shown in the diagram.



LA-581E