

INSTALLATION INSTRUCTIONS

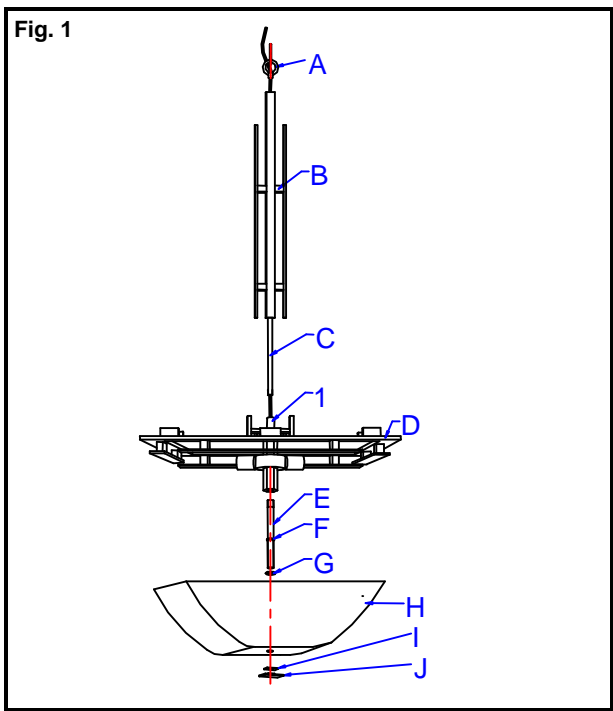
Item #1275 NEW 05/10/2012

READ AND SAVE THESE INSTRUCTIONS

WARNING! SHUT POWER OFF AT FUSE OR CIRCUIT BREAKER.
AVERTISSEMENT! COUPER LE COURANT AU NIVEAU DES FUSIBLES OU DU DISJONCTEUR.

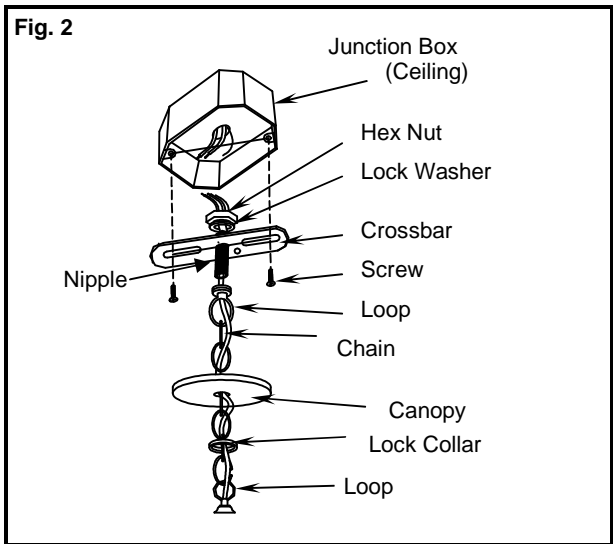
ASSEMBLING THE FIXTURE (Fig.1)

1. Shut off power at the circuit breaker and remove old fixture from ceiling.
2. Carefully unpack your new fixture and lay out all the parts on a clear area. Take care not to lose any small parts necessary for installation.
3. Thread Pipe (C) into the top coupling of Light Assembly (D) tightly.
4. Slide Metal Column (B) downwards over Pipe (C), then secure with Loop (A).
5. Install the light bulbs in accordance with the fixture's specifications. (**DO NOT EXCEED THE MAXIMUM WATTAGE RATING!**) (**NE PAS DEPASSER LA PUISSANCE NOMINALE MAXIMALE!**)
6. Thread Pipe (E) into the bottom end coupling of the Light Assembly (D), and then thread Circular Nut (F) over Pipe so that it protrudes through Circular Nut.
7. Slide Glass Shade (H) along with Plastic Washer (G) upwards over Pipe (E).
8. While holding the Glass Shade, tightly secure with Washer (I) and Finial (J) as shown in Fig. 1. **Note:** you have to adjust Circular Nut and Finial so that the sides Glass Shade and Finial are aligned when Glass Shade is "sandwiched" firmly in between Circular Nut and Finial.



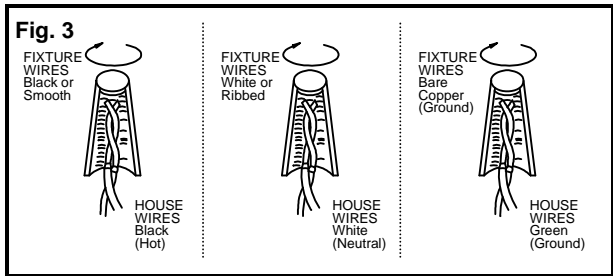
HANGING THE FIXTURE (Fig. 2)

9. Thread Nipple into Loop until snug.
10. Thread other end of Nipple with Loop attached into crossbar until snug.
11. Place Lock Washer over end of Nipple protruding through crossbar and thread Hex Nut onto nipple until tight.
12. Take the crossbar assembly and mount to ceiling junction box with junction box screws. Tighten screws securely with screwdriver.
13. By measuring determine correct number of links needed for proper hanging height.
14. Use a pair of pliers to open one end link of the chain, attach the chain to the fixture's loop, close the link. Slip Lock Collar followed by the Canopy over the chain. Open the other end link of the chain and lift the fixture to attach to the ceiling loop, close the chain link.
15. Lace the fixture's wires through the chain links and pull until taut. Feed the fixture wires through the loop and Nipple and pull until taut.



CONNECTING THE WIRES (Fig. 3)

16. At this point, connect the electrical wire as shown in figure 3, making sure that all wire connectors are secured. If your outlet has a ground wire (green or bare copper), connect the fixture's Ground Wire to it. Otherwise, connect the fixture's Ground Wire directly to the crossbar using the Green Screw provided.
17. Tuck these wire connections neatly into the ceiling junction box and then raise the canopy all the way to the ceiling. Raise the Lock Collar and thread onto ceiling Loop protruding through canopy.



Your installation is now complete. Return power to the junction box and test the fixture.

Note: Illustration (Fig. 1) on this manual is for installation purposes only. It may or may not be identical to the fixture purchased.



Notice: It is important to use proper chain pliers (not included) To OPEN and CLOSE the chain included with this fixture. Do not open them with other tools that may twist or stress the chain links. It is important to use proper chain pliers like the ones shown in the diagram.

