

INSTALLATION INSTRUCTIONS

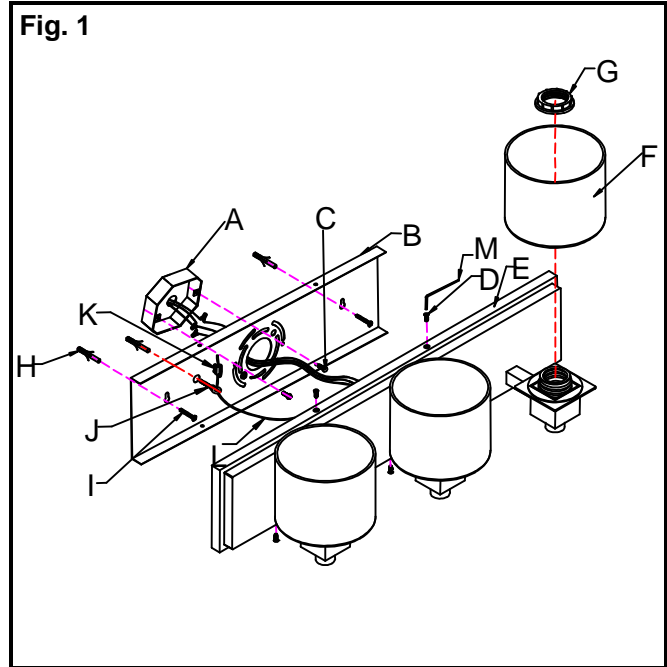
Item#6154 (New. 05/10/2012)

READ AND SAVE THESE INSTRUCTIONS

WARNING! SHUT POWER OFF AT FUSE OR CIRCUIT BREAKER.
AVERTISSEMENT! COUPER LE COURANT AU NIVEAU DES FUSIBLES OU DU DISJONCTEUR.

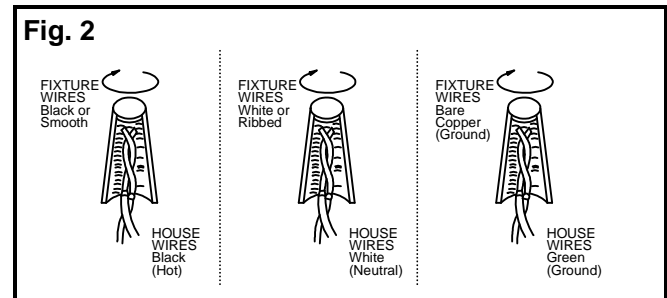
ASSEMBLING THE FIXTURE (Fig. 1)

1. Shut off power at the circuit breaker and remove old fixture including the mounting hardware.
2. Carefully remove the fixture from the carton and check that all parts are included as shown in the illustration.
3. Position Reinforcement Plate (B) on the wall, and mark location of three mounting holes. Drill the holes on the wall. Insert the Plastic Anchor (H) into the wall.
4. Attach the Reinforcement Plate (B) to the Junction box (A) in the wall using the two screws (C). The side of the Reinforcement plate marked "GND" must face out.
5. Place the Mounting Screw (I) & (J) through the keyhole into the Plastic Anchor (H) secure the Reinforcement Plate (B) as shown in Fig.1.
6. Loosen the Set Screw Assembly (K) on the Cable (L). Run Cable (L) through the hole on the Mounting Screw (J) and Set Screw Assembly (K) and tighten the screws.



CONNECTING THE WIRES (Fig. 2)

7. Connect the electrical wires as shown in Fig. 2, making sure that all wire connectors are secured. If your outlet has a ground wire (green or bare copper), connect the fixture's Ground Wire to it. Otherwise, connect the fixture's Ground Wire directly to the Reinforcement Plate using the Green Screw provided. After wires are connected, tuck them carefully into the outlet box.



FINISHING THE INSTALLATION (Fig. 1)

8. Place the Fixture Body (E) over the Reinforcement Plate (B) and secure it tightly with four screws (D) by using Allen Wrench (M) provided.
9. Place the Glass Shade (F) onto the socket, and secure it tightly with screw shell (G).
10. Install the light bulb (not included) in accordance with the fixture's specifications. **(DO NOT EXCEED THE MAXIMUM WATTAGE RATING!) (NE PAS DEPASSER LA PUISSANCE NOMINALE MAXIMALE!).**

Your installation is now complete. Return power to the outlet box and test the fixture.

Note: Illustration (Fig. 1) on this manual is for installation purposes only. It may or may not be identical to the fixture purchased.

