

# INSTALLATION INSTRUCTION FOR 4366

**WARNING! SHUT POWER OFF AT FUSE OR CIRCUIT BREAKER .  
AVERTISSEMENT! COUPER LE COURANT AU NIVEAU DES FUSIBLES OU DU DISJONCTEUR.**

READ AND SAVE THESE INSTRUCTIONS

## ASSEMBLING THE FIXTURE (Fig. 2)

1. Shut off the power at the circuit breaker and remove the old fixture from ceiling, including the mounting bar.
2. Carefully remove the fixture from the carton and check that all parts are included as shown in the illustration.
3. Thread the pipe (K) onto the nipple (L).
4. Install the light bulbs in accordance with the fixture's specification:  
**(DO NOT EXCEED THE SPECIFIED WATTAGE!) (NE PAS DEPASSER LA PUISSANCE NOMINALE MAXIMALE!)**
5. Place the outer glass shades (N) over the sockets (M), then secure with the retaining rings on inner shade (O). Before inner shade (O) is tightened fully, adjust outer glass shade (N) until both appear parallel. Tighten inner shade (O) until snug.

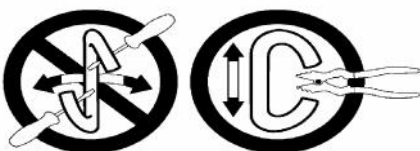
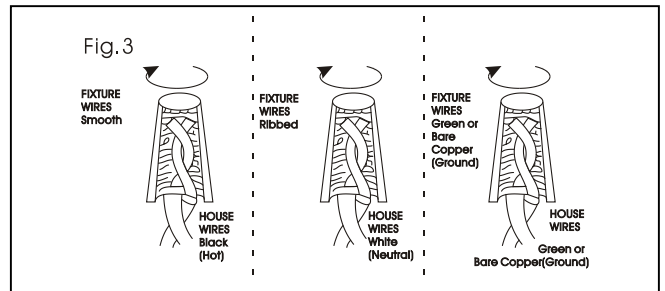
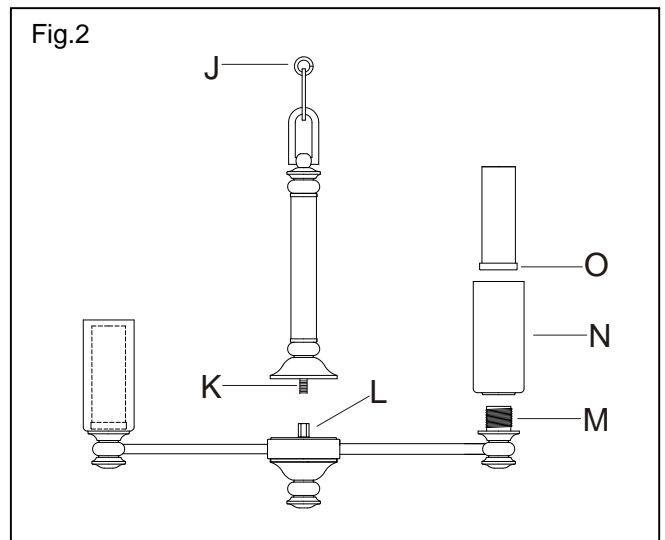
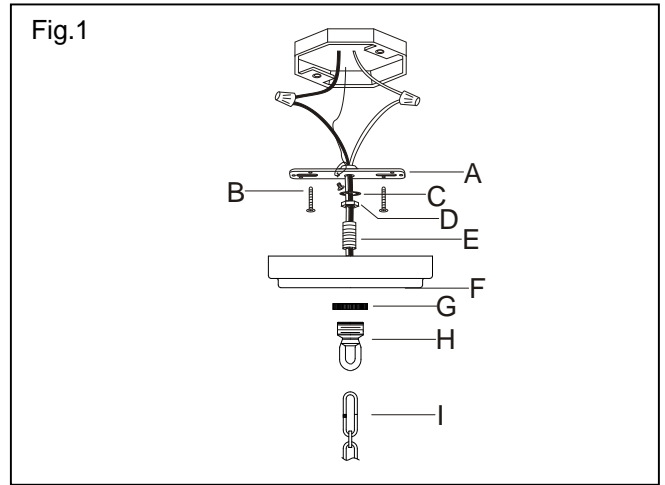
## HANGING THE FIXTURE (Fig. 1)

6. Confirm power is off before proceeding.
7. Thread the nipple (E) into the ceiling loop (H) until snug.
8. Thread hex nut (D) onto nipple (E). Place lock washer (C) over end of nipple (E) insert into mounting bar (A).
9. Thread end of nipple (E) with loop attached, into mounting bar (A) until snug.
10. Take this mounting bar (A) assembly and mount to ceiling junction box with junction box screws (B). Tighten screws securely with screwdriver.
11. Using proper chain pliers open one link of chain (I) and connect it to the ceiling loop (H).
12. By measuring, determine connect number of links needed for proper hanging height.
13. Lace the fixture wires through the chain links, Slip screw collar ring (G) over the chain, then do the same with the canopy (F).
14. Open link of the other end of the chain (I) and connect it to the fixture loop (J). (FIG.2)
15. Feed the fixture wires through the ceiling loop (H) and nipple (E) and pull until taut. close the chain link completes.

## CONNECTING THE WIRES (Fig. 3)

16. At this point, connect the electrical wires as shown in (Fig. 3) making sure all wire nuts are secured. You may have to wrap the connections with electrical tape. If your outlet has a ground wire (green or bare copper) connect fixture's ground wire to it. Otherwise connect fixture's ground wire directly to the mounting bar (A) using the green screw provided.
17. Tuck these wire connections neatly into the ceiling junction box and then raise the canopy (F) all the way to the ceiling. Raise the screw collar ring (G) and thread onto ceiling loop (H) protruding through canopy (F). (Fig.1)

Return power to the junction box and test the fixture.  
Your installation is now complete.



Notice: It is important to use proper chain pliers (not included) To OPEN and CLOSE the chain included with this fixture. Do not open them with other tools that may twist or stress the chain links. It is important to use proper chain pliers like the ones shown in the diagram.