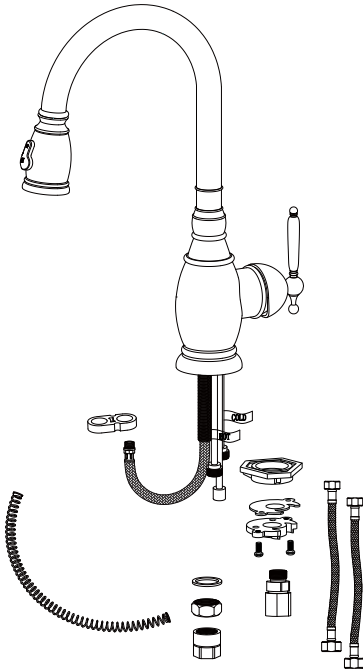


# Installation Instruction

## Single Handle Pull-down Kitchen Faucet

### Before Your Installation

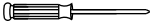
Check to make sure you have the following parts indicated below:



### Tools You Will Need



Adjustable wrench



Phillips screwdriver



Spanner for body  
(supplied)



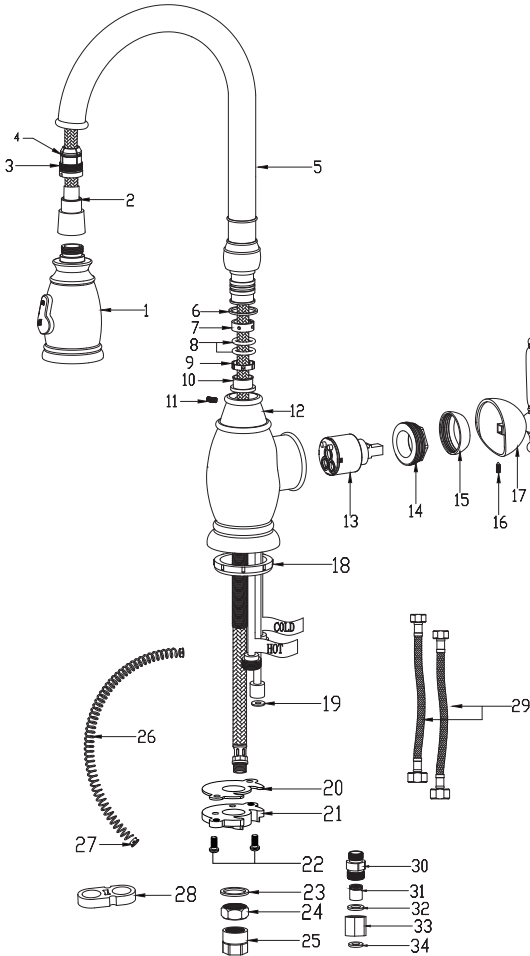
Adjustable wrench



Spanner for aerator  
(supplied)

# Replacement Parts

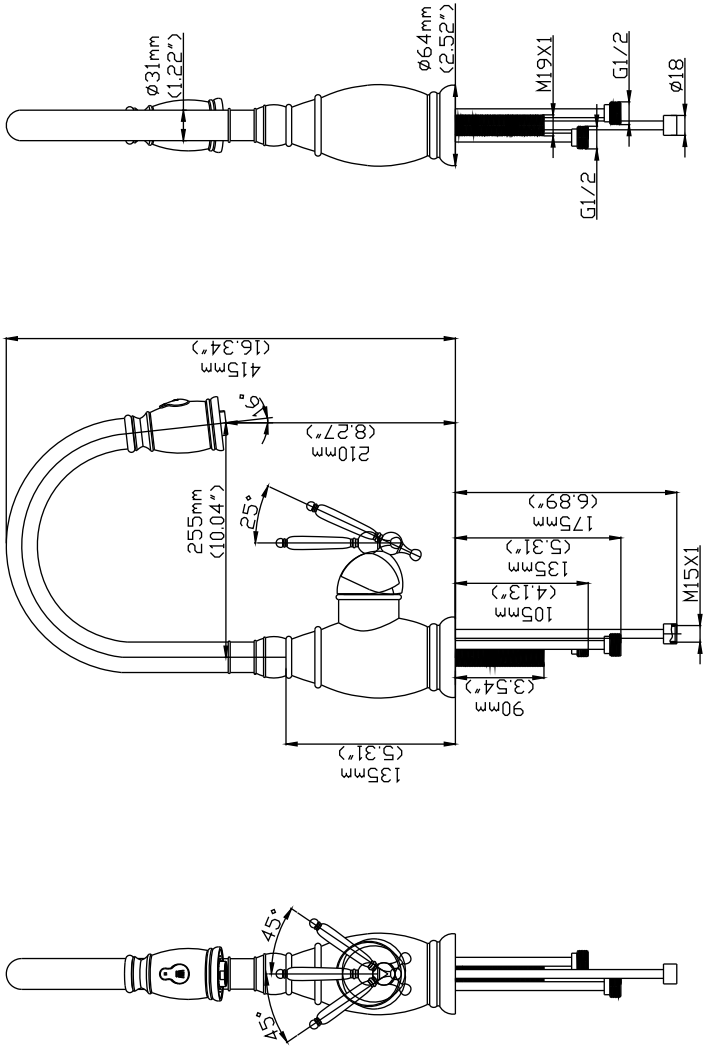
Keep this manual for ordering replacement parts.



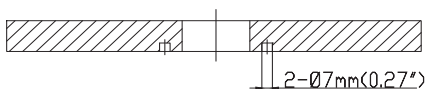
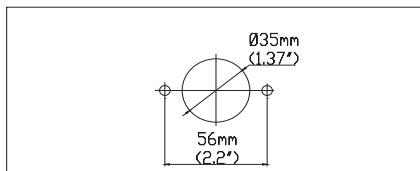
## NO NAME

1. Sprayer
2. Nylon hose
3. Plastic cover
4. Spring ring
5. Spout
6. Anti-friction gasket
7. Plastic cover
8. O-ring
9. Plastic cover
10. Noise muffler
11. Screw
12. Faucet body
13. Cartridge
14. Lock nut
15. Cartridge holder
16. Screw
17. Handle
18. Bottom plastic
19. Flat gasket
20. Rubber gasket
21. Stainless steel gasket
22. Screw
23. Steel gasket
24. Hexagon nut
25. Plastic nut
26. Spring
27. Anti-friction cover
28. Spring holder
29. Hose
30. The outer sleeve
31. Check valve
32. Flat washer
33. Casing
34. Flat washer

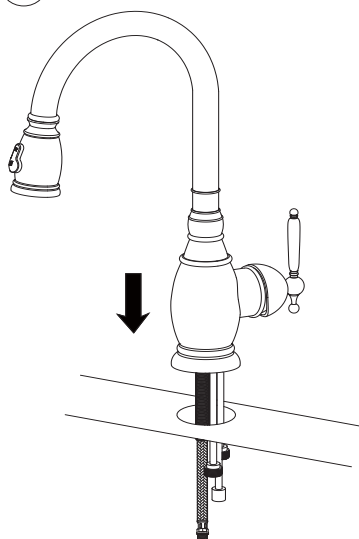
# Product Dimension Drawing



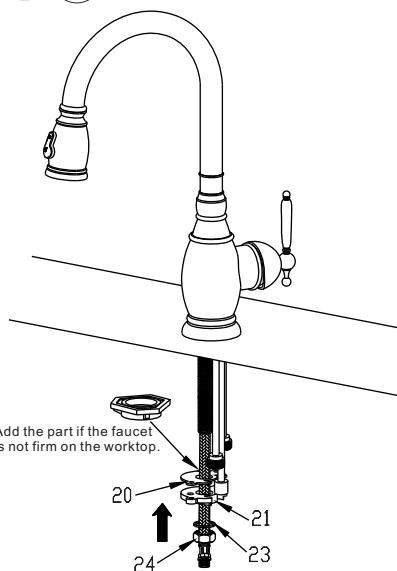
# Faucet Installation Procedures



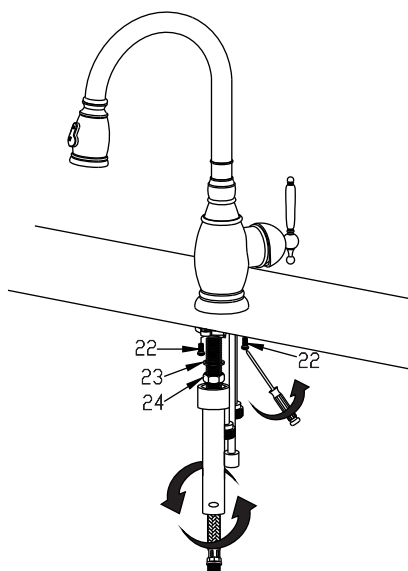
## step ①



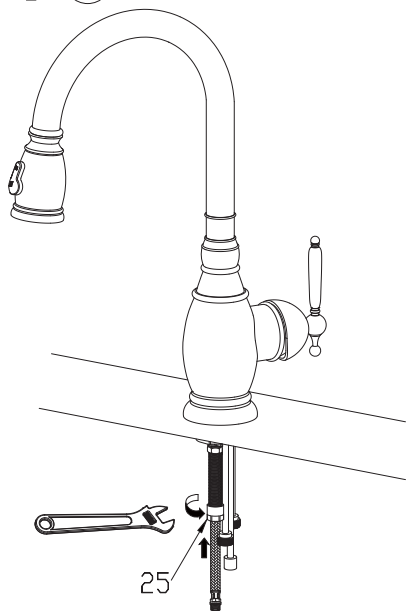
## step ②



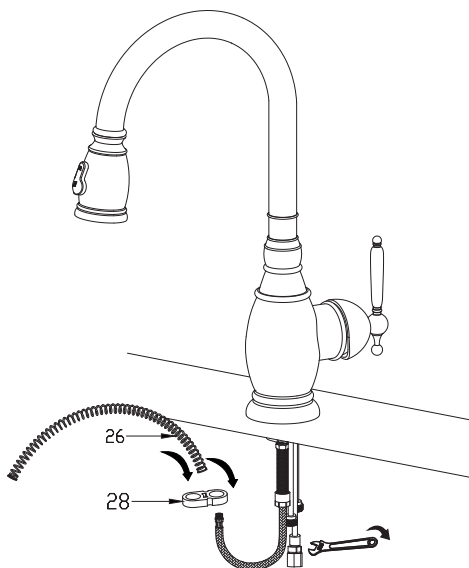
## step ③



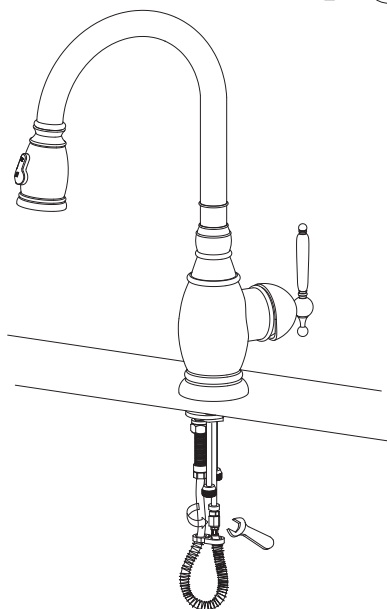
step ④



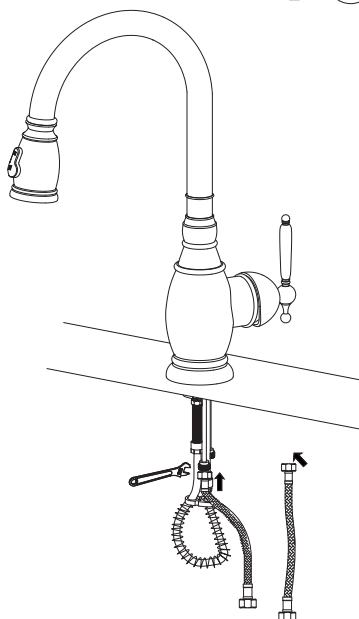
step ⑤



step ⑥



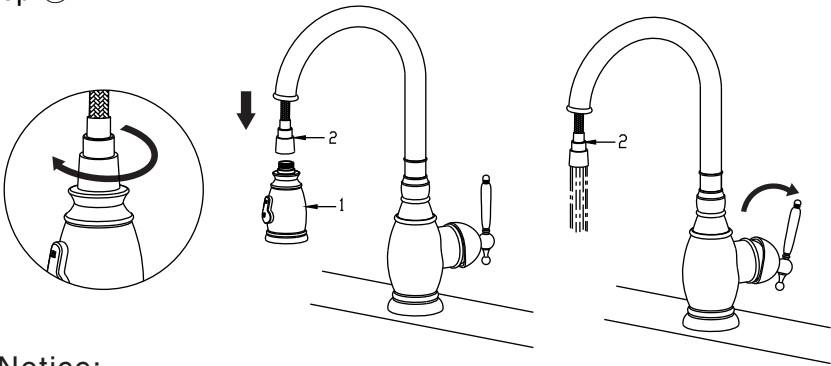
step ⑦



Step ⑧



Step ⑨



Notice:

Please removing all of the sand, silt and other things from the water hose before assembling, to avoid blocking the faucet and effecting water rate. Please use the special tools to disassemble it and wash with pneumatic equipment, if the faucet blocked.

Step ⑩

