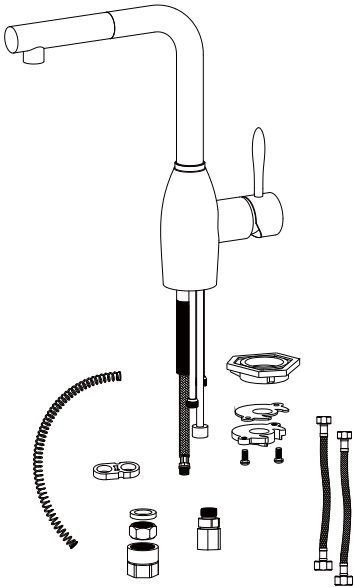


# Installation Instruction

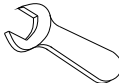
## Single Handle Pull-down Kitchen Faucet

### Before Your Installation

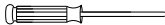
Check to make sure you have the following parts indicated below:



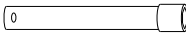
### Tools You Will Need



Adjustable wrench



Phillips screwdriver



Spanner for body  
(supplied)



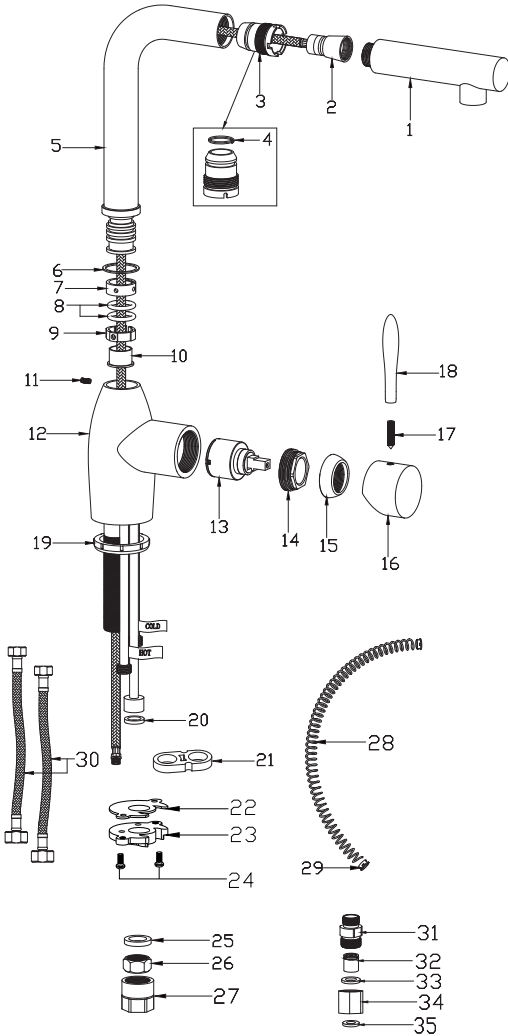
Adjustable wrench



Spanner for aerator  
(supplied)

# Replacement Parts

Keep this manual for ordering replacement parts.

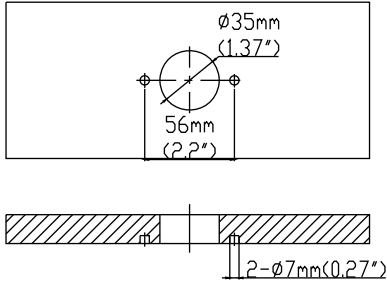


## NO NAME

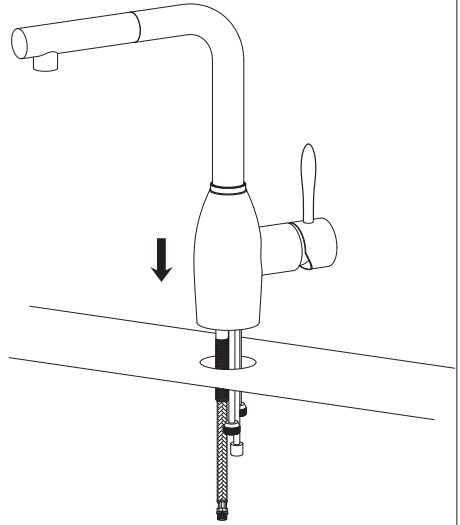
1. Nozzle
2. Nylon hose
3. Plastic cover
4. Spring ring
5. Spout
6. Anti-friction gasket
7. Plastic cover
8. O-ring
9. Plastic cover
10. Noices muffler
11. Screw
12. Faucet body
13. Cartridge
14. Lock nut
15. Cartridge holder
16. Handle body
17. Screw
18. Knob
19. Bottom gasket
20. Flat gasket
21. Spring holder
22. Rubber gasket
23. Stainless steel gasket
24. Screw
25. Steel gasket
26. Hexagon nut
27. Plastic nut
28. Spring
29. Anti-friction gasket
30. Hose
31. The teeth of the outer casing
32. Check valve
33. Flat washer
34. Casing
35. Flat washer



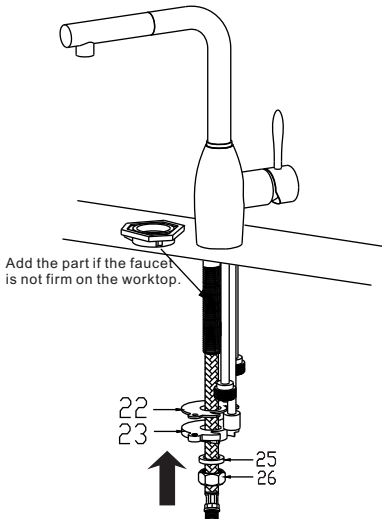
# Faucet Installation Procedures



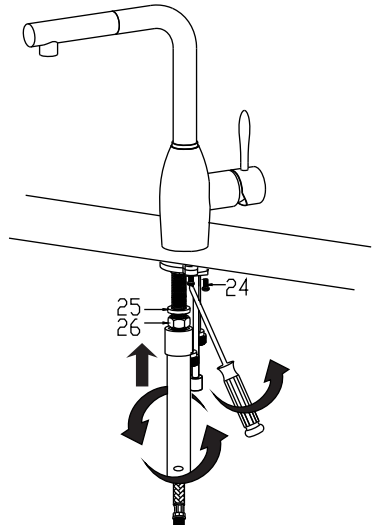
## step ①



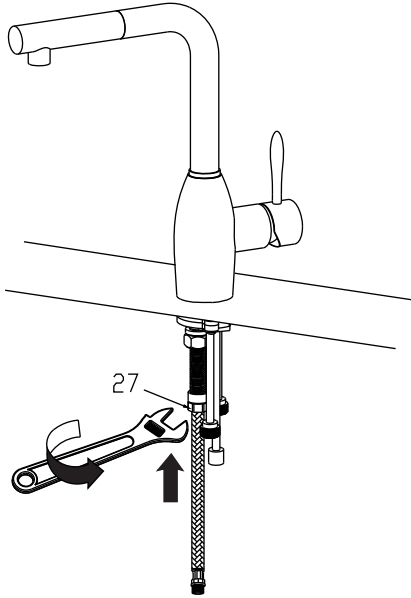
## step ②



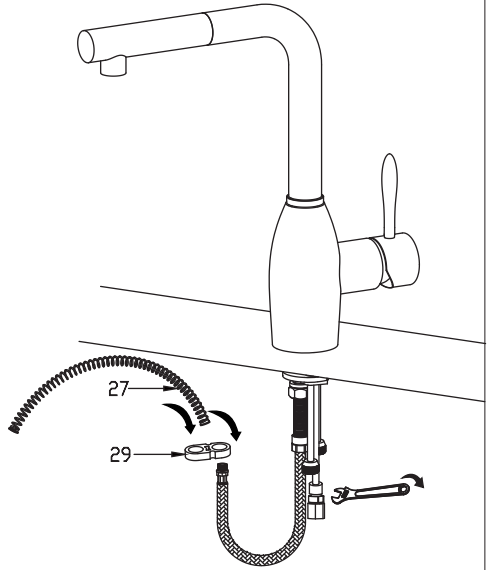
## step ③



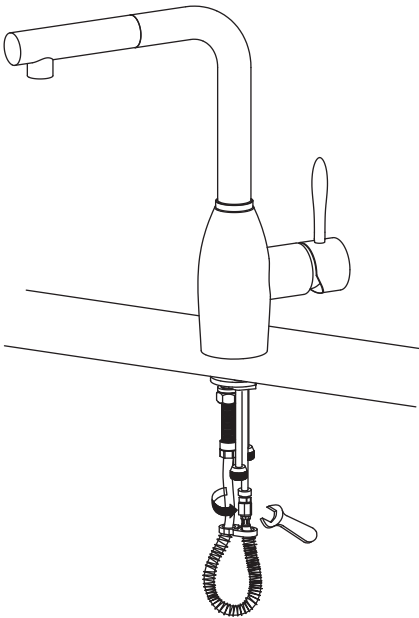
step ④



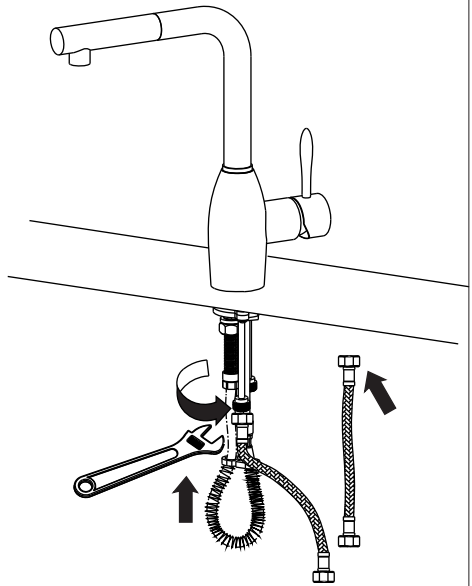
step ⑤



step ⑥



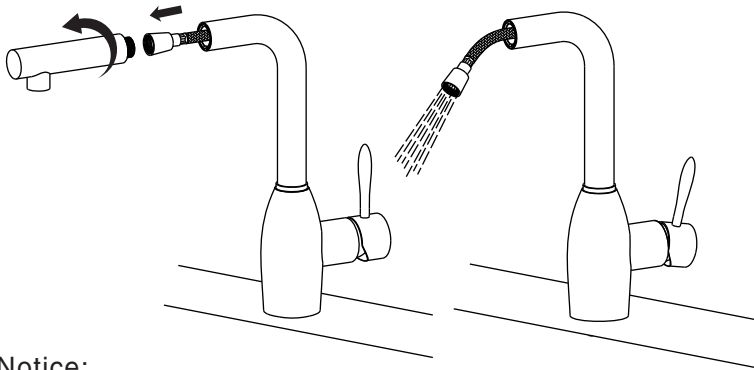
step ⑦



Step ⑧



Step ⑨



Notice:

Please removing all of the sand, silt and other things from the water hose before assembling, to avoid blocking the faucet and effecting water rate. Please use the special tools to disassemble it and wash with pneumatic equipment, if the faucet blocked.

Step ⑩

