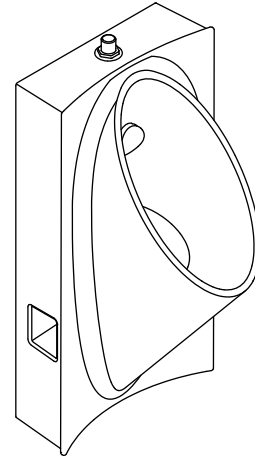


HIGH EFFICIENCY URINAL (HEU) K-5244-ET

Features

- Vitreous china
- Washout
- 3/4" top spud
- Includes removable strainer, 2" outlet spud, universal mounting bracket, and hangers
- WaterSense® compliant when used with WaterSense flushometer
- 0.125 gpf (0.47 lpf)
- 15-5/8" (397 mm) extended rim



Codes/Standards Applicable

Being developed to meet or exceed the following:

- ICC/ANSI A117.1
- ASME A112.19.2/CSA B45.1
- ADA
- EPA WaterSense®

Colors/Finishes

- 0: White
- Other: Refer to Price Book for additional colors/finishes

Accessories

- CP: Polished Chrome

Specified Model

| Model | Description | Colors/Finishes | |
|--------------------------------|--|-----------------------------|--------------------------------------|
| K-5244-ET | High Efficiency Urinal (HEU) | <input type="checkbox"/> 0 | <input type="checkbox"/> Other _____ |
| Recommended Accessories | | | |
| K-10668 | WAVE DC flushometer – 0.125 gpf (0.47 lpf) | <input type="checkbox"/> CP | |
| K-10949 | Touchless DC urinal flushometer with TriPoint™ technology – 0.125 gpf (0.47 lpf) | <input type="checkbox"/> CP | |
| K-13520 | Manual washdown urinal flushometer – 0.125 gpf (0.47 lpf) | <input type="checkbox"/> CP | |
| Optional Accessories | | | |
| 18773 | 3" outlet spud | <input type="checkbox"/> NA | |

Product Specification

The washout urinal shall be made of vitreous china with a 3/4" top spud. Urinal shall have a 15-5/8" (397 mm) extended rim. Urinal shall use 0.125 gpf (0.47 lpf). Urinal shall include removable strainer, 2" outlet spud, universal mounting bracket, and hangers. Urinal shall be WaterSense compliant when used with WaterSense flushometer. Urinal shall be Kohler Model K-5244-ET-_____.

STEWARD® HYBRID

Technical Information

| | |
|--|-----------------------|
| Fixture: | |
| Configuration | 3/4" top spud urinal |
| Water per flush | 0.125 gpf (0.47 lpf)* |
| Spud inlet size | 3/4" |
| * Designed to flush with 0.125 gpf (0.47 lpf) of water when installed with a water-saving flushometer. | |

| | |
|----------------------------|---------|
| Included components: | |
| 3/4" inlet spud | 1212716 |
| 2" outlet spud | 18766 |
| Hanger (2 required) | 64512 |
| Universal mounting bracket | 1044200 |
| Removable strainer | 1195702 |

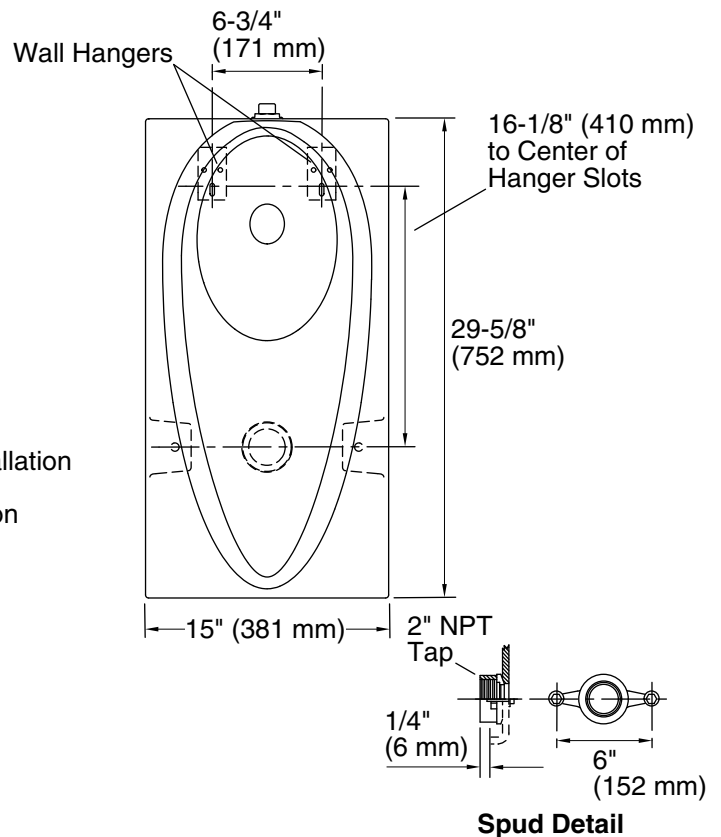
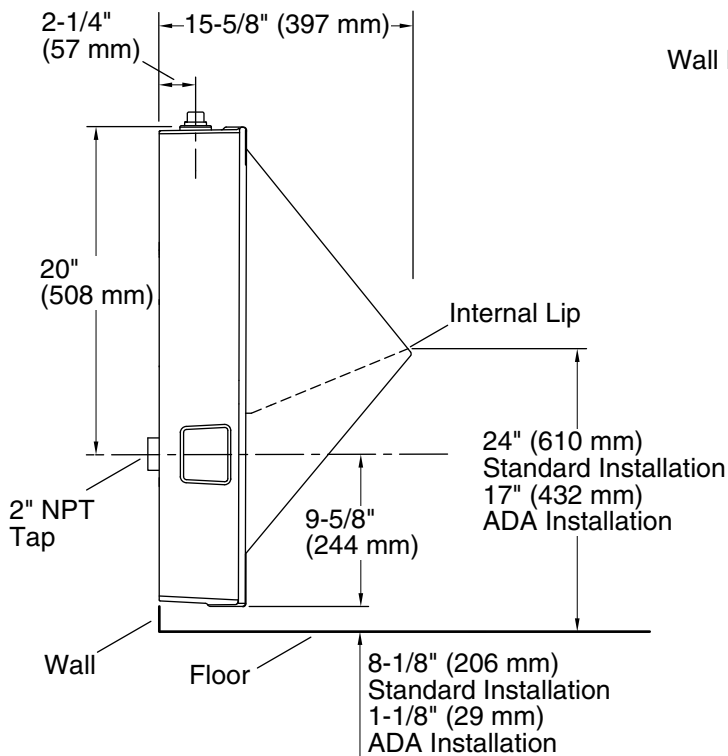
Installation Notes

Install this product according to the installation guide.

Roughing-in remains the same when using the optional 3" outlet spud.

NOTICE: For ADA compliance, measurement must be from the floor to the top of the internal lip.

Will comply with **ADA** when installed per Section 605 Urinals of the 2010 ADA Standards for Accessible Design.



Product Diagram