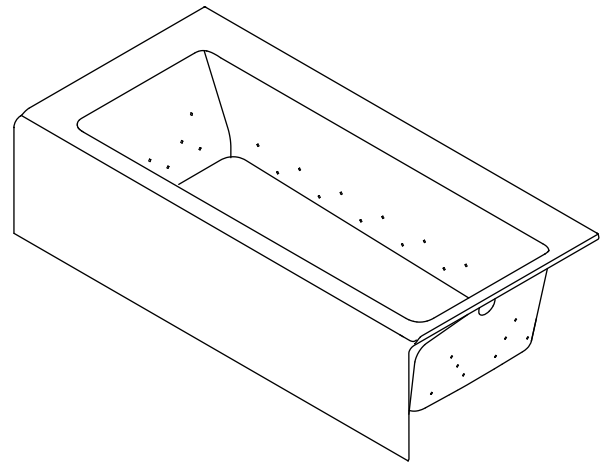


### Features

- Cast iron with Safeguard® finish
- Blower motor with 300 W heater and back-lit user keypad
- 44 BubbleMassage™ airjets
- 3-wall alcove installation
- Integral apron
- Right drain
- 66" (1676 mm) x 32" (813 mm) x 17" (432 mm)

### 5.5' BUBBLEMASSAGE™ BATH WITH INTEGRAL APRON K-860-G

ADA



### Codes/Standards Applicable

Specified model meets or exceeds the following:

- ASME A112.19.7/CSA B45.10
- CSA C22.2 No 218.2
- UL 1795
- ASME A112.19.1/CSA B45.2
- ADA
- ICC/ANSI A117.1

### Colors/Finishes

- 0: White
- CP: Polished Chrome
- Other: Refer to Price Book for additional colors/finishes

### Specified Model

Model	Description	Colors/Finishes	
K-860-G0	5.5' BubbleMassage bath with integral apron – airjet trim/White	<input type="checkbox"/> 0	<input type="checkbox"/> Other _____
K-860-G47	5.5' BubbleMassage bath with integral apron – airjet trim/Almond	<input type="checkbox"/> 0	<input type="checkbox"/> Other _____
K-860-G96	5.5' BubbleMassage bath with integral apron – airjet trim/Biscuit	<input type="checkbox"/> 0	<input type="checkbox"/> Other _____
K-860-GBN	5.5' BubbleMassage bath with integral apron – airjet trim/Vibrant Brushed Nickel	<input type="checkbox"/> 0	<input type="checkbox"/> Other _____
K-860-GCP	5.5' BubbleMassage bath with integral apron – airjet trim/Polished Chrome	<input type="checkbox"/> 0	<input type="checkbox"/> Other _____
K-860-GNY	5.5' BubbleMassage bath with integral apron – airjet trim/Dune	<input type="checkbox"/> 0	<input type="checkbox"/> Other _____
K-860-GSN	5.5' BubbleMassage bath with integral apron – airjet trim/Vibrant Polished Nickel	<input type="checkbox"/> 0	<input type="checkbox"/> Other _____

#### Recommended Accessories

K-7259	Toe tap bath drain <b>OR</b>	<input type="checkbox"/> CP	<input type="checkbox"/> Other _____
K-37380	Cable bath drain – 30" (762 mm), brass <b>OR</b>	<input type="checkbox"/> CP	<input type="checkbox"/> Other _____
K-37383	Cable bath drain – 30" (762 mm), with PVC tubing	<input type="checkbox"/> CP	<input type="checkbox"/> Other _____

### Product Specification

The BubbleMassage bath shall be made of cast iron with slip-resistant Safeguard® finish. Bath shall be 66" (1676 mm) in length, 32" (813 mm) in width, and 17" (432 mm) in height. Bath shall feature a blower motor with 300 W heater and back-lit user keypad. Bath shall have integral apron. Bath shall have 44 BubbleMassage airjets. Bath shall be for 3-wall alcove installation. Bath shall be right drain. BubbleMassage bath shall be Kohler Model K-860-\_\_\_\_-\_\_\_\_.

# BELLWETHER®

## Technical Information

Fixture*:	
Bathing well:	
Basin area, bottom	50-3/4" (1289 mm) x 20-5/16" (516 mm)
Basin area, top	58-7/16" (1484 mm) x 22-5/8" (575 mm)
Weight	470 lbs (213.2 kg)
To overflow:	
Water depth	11-11/16" (297 mm)
Capacity	49 gal (185.7 L)
*Approximate measurements for comparison only.	

Blower motor:	Heater	V	Hz	A
	300 W	220-240	50/60	3

## Required Electrical Service

Dedicated circuit required, protected with Class A Ground-Fault Circuit-Interrupter (GFCI):	
Blower motor/control	220-240 V, 15 A, 50/60 Hz

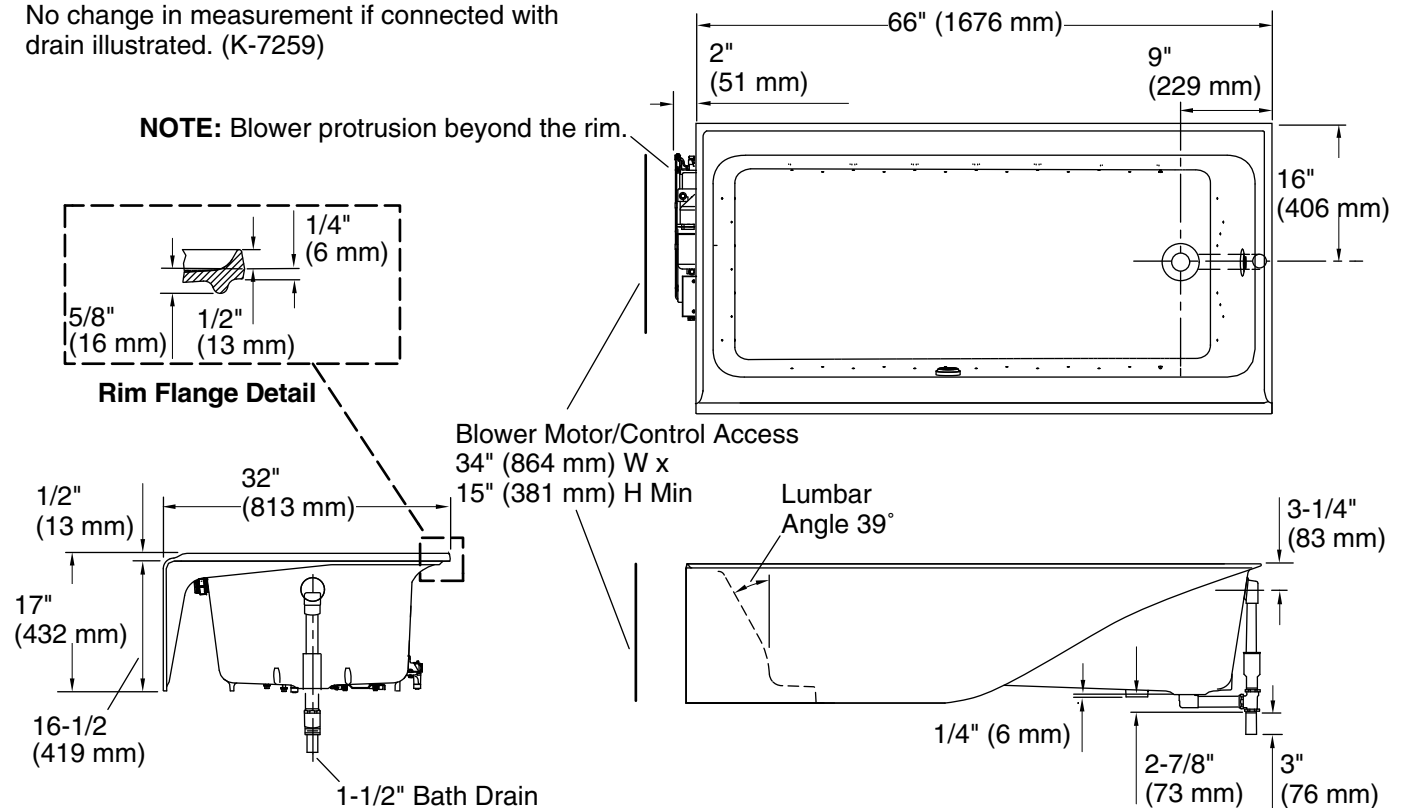
## Installation Notes

Install this product according to the installation guide.

Floor support under the bath must provide for a minimum of 61.6 lbs/square foot (300.9 kg/square meter) loading.

Will comply with **ADA** when installed per Section 607 Bathtubs of the ADA 2010 Standards for Accessible Design.

No change in measurement if connected with drain illustrated. (K-7259)



## Product Diagram

BELLWETHER® 5.5' BUBBLEMASSAGE™ BATH WITH INTEGRAL APRON

Page 2 of 2  
1183445-4-A

THE BOLD LOOK  
OF **KOHLER**®