

Installation and Care Guide

Bath with Heated Surface

Product Serial Number:

Numéro de série du produit:

Número de serie del producto: _____

Français, page "Français-1"

Español, página "Español-1"

THE BOLD LOOK
OF **KOHLER**®

1196030-2-A

Installation Instructions



WARNING: When using electrical products, basic precautions should always be followed, including the following:



DANGER: Risk of electric shock. Connect only to a circuit protected by a Ground-Fault Circuit-Interrupter (GFCI)*.



WARNING: Risk of electric shock. Grounding is required. A licensed electrician should make all electrical connections.



WARNING: Risk of electric shock. Disconnect power before servicing.



WARNING: Risk of property damage. Building materials and wiring should be routed away from the heat-producing components of the bath.



WARNING: Risk of injury or property damage. Please read all instructions thoroughly before beginning installation, including the following requirements.

NOTICE: Follow all local plumbing and electrical codes.

NOTICE: Provide service access to the power supply and heater components.

* Outside North America, this device may be known as a Residual Current Device (RCD).

Product Identification

Model # K-_____

Please record the model number, copied from the label on the box.

Product Information

Electrical Requirements



WARNING: Risk of burns, fire, electric shock, or injury. Do not operate the heater if the power supply cord is damaged. For proper guidance to have this product repaired, please call: 1-800-4KOHLER from within the USA or Canada, or 001-800-456-4537 from within Mexico.

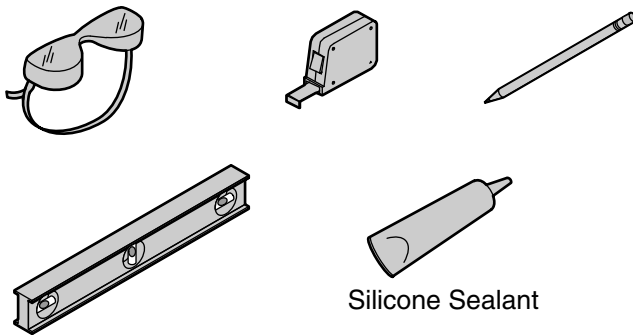
This installation must have a Class A Ground-Fault Circuit-Interrupter (GFCI)*. The GFCI protects against line-to-ground shock hazard. Use a 120 V, 15 A, 60 Hz service for the bath with heated surface.

* Outside North America, this device may be known as a Residual Current Device (RCD).

Factory-Assembled Features

Factory installed components include heated surface with power supply cord, user keypad, and keypad cable. Other than power wiring and plumbing, no assembly is needed.

Tools and Materials



Plus:

- Conventional woodworking tools and materials
- Large-head galvanized nails
- Drop cloth
- Construction adhesive (optional)
- Cement or mortar (optional)
- 2x4s or 2x6s
- Water-resistant wallboard
- Finished wall material

Before You Begin

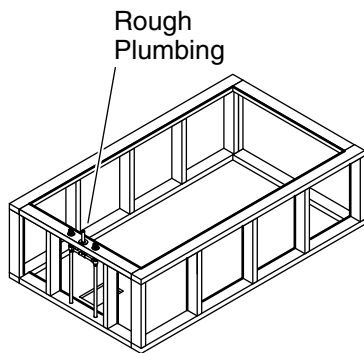
NOTICE: Adequate floor support must be provided. Note the **model number** located on the heater side of the bath, then visit the product page at www.kohler.com for additional information.

NOTICE: Do not support the load weight of the bath by the rim.

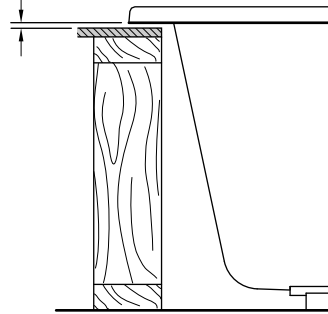
NOTICE: Confirm adequate support for a rim-mounted faucet; large faucets that may be inadvertently used as a means of support are not appropriate or safe for this installation.

- Inspect the bath before you begin installation. If there is damage, do not install the bath; contact your dealer.
- When planning the installation area, provide access to all final plumbing connections for servicing.
- For undermount installations, an undermount kit is required.

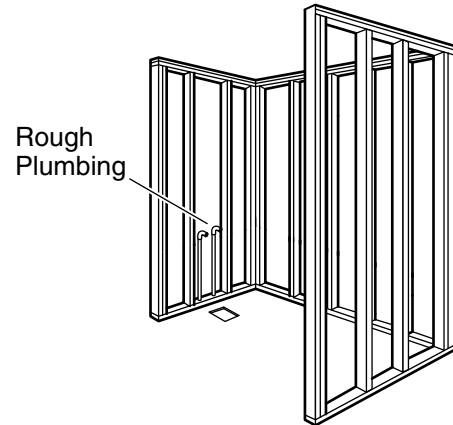
Drop-In Models



Provide a 1/16" (2 mm) gap under the rim.



Flanged Models



1. Prepare the Site

NOTICE: Measure your product for site preparation. Note the **model number** located on the heater side of the bath, then visit the product page at www.kohler.com for additional information.

Framing

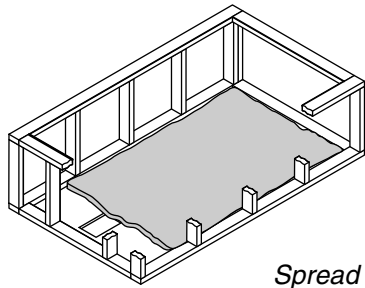
- Make sure the floor offers adequate support for your bath, and verify that the subfloor is flat and level.
- **For drop-in models:** The bath is designed for drop-in or raised deck installations. If a deck-mount faucet will be installed, plan a space on the deck to accommodate the faucet.
- **For flanged models:** The bath is designed for alcove installation. Take into account the thickness of the finished wall materials when constructing the framing.
- Construct 2x4 or 2x6 stud framing.
- Provide a 1/16" (2 mm) gap between the bath rim and the framing to ensure the bath is not supported by the rim. Take into account the thickness of the finished deck material.
- Install an access panel for future servicing of the power supply or heater components.
- **For drop-in installations against a wall:** Install a tiling-in bead to prevent water from seeping behind the wall. Follow the instructions included with the tiling-in bead.

Plumbing

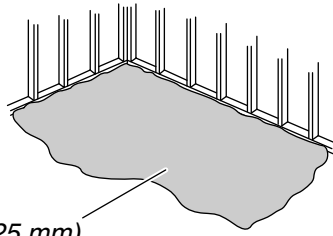
NOTE: For through-the-floor drain installations: Cut a drain hole to accommodate the drain connections.

- Install the rough plumbing.
- Install the drain to the bath according to the drain manufacturer's instructions.
- Place a clean drop cloth in the bottom of the bath to protect the finish during the installation process.

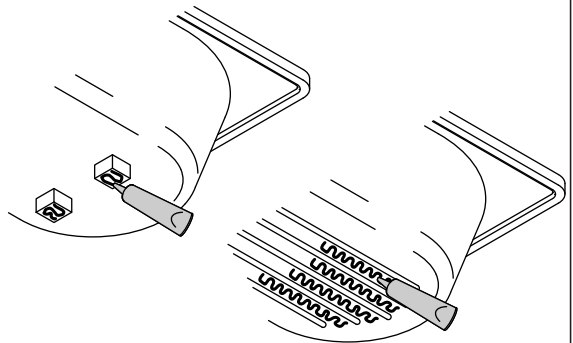
Cement or Mortar Bed



Spread a 1" (25 mm)
to 2" (51 mm) layer.



Construction Adhesive



2. Install the Bath

NOTE: Some models are equipped with support feet; some models have molded supports.

- Choose the installation method that best applies to your particular installation. Follow the appropriate instructions.

Option 1: Cement or Mortar Bed

NOTICE: Do not use gypsum cement or drywall compound, as these materials will not provide a durable bond.

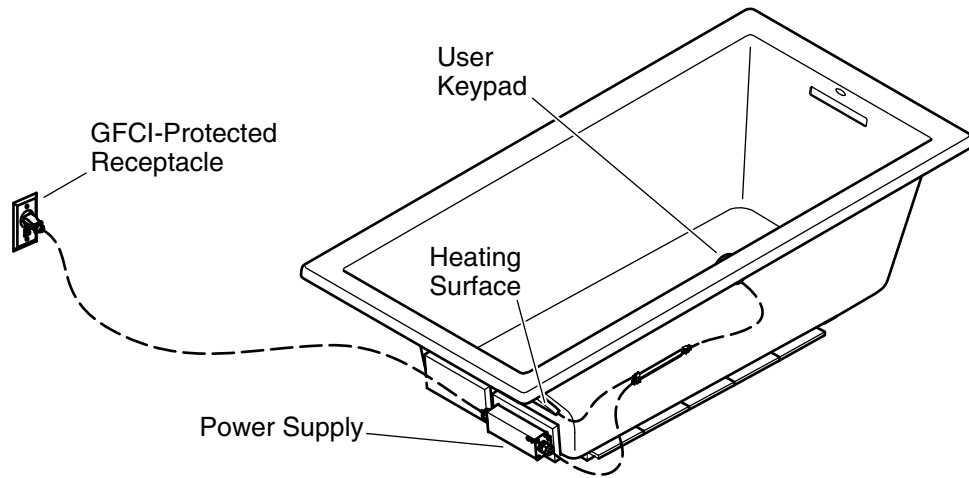
- Spread a 1" (25 mm) to 2" (51 mm) layer of cement or mortar on the subfloor.
- With help, carefully lift the bath into place in the bed material.
- Verify the bath is level. Reposition or shim as needed.

Option 2: Construction Adhesive

- Apply a generous amount of high-quality construction adhesive to the bottom of the support feet or molded supports.
- With help, carefully lift the bath into position.
- Verify the bath is level and resting on all supports. Reposition or shim as needed.

Install the Plumbing

- Connect the drain tailpiece to the trap.
- Install the faucet valve.
- Check the drain connections for leaks.



3. Make Electrical Connections

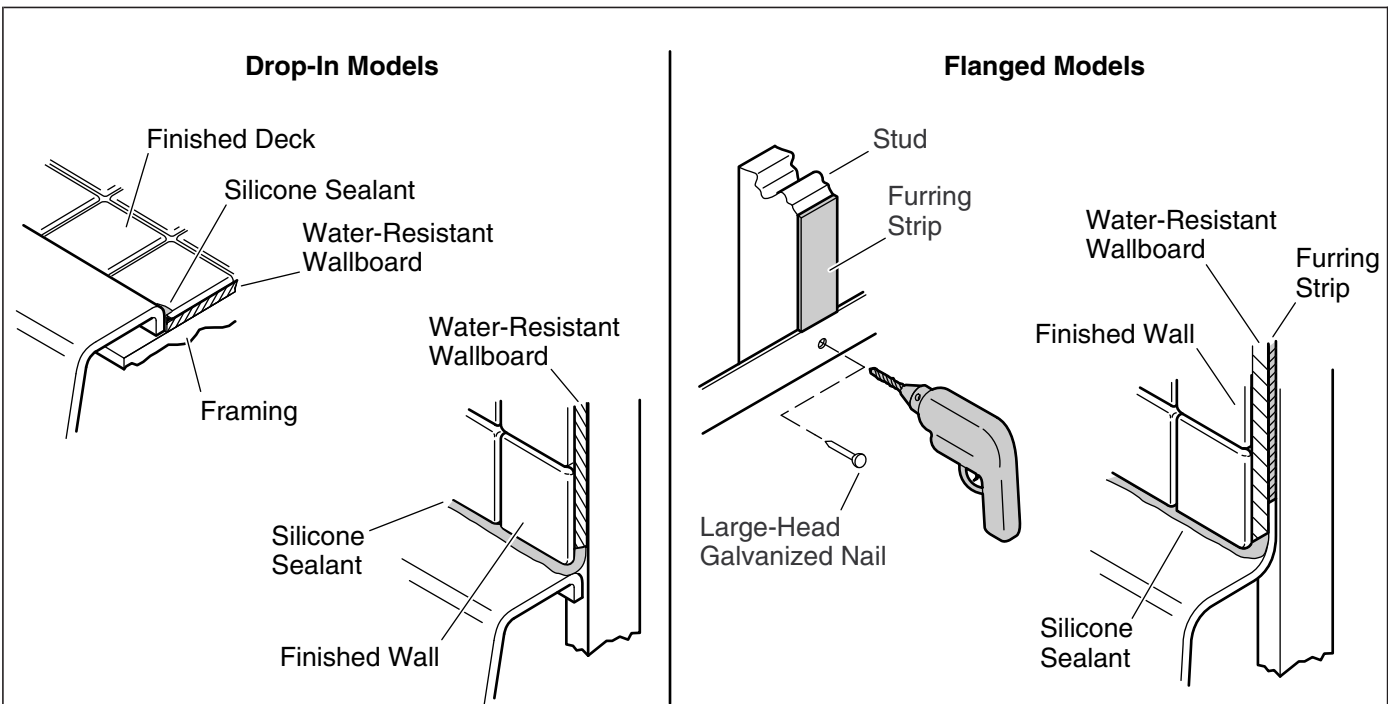


WARNING: Risk of electric shock. Connect the power supply to a properly grounded, grounding-type receptacle protected by a Ground-Fault Circuit-Interrupter (GFCI) or Residual Current Device (RCD). Do not remove the plug grounding pin. Do not use a grounding adapter.

- Your bath with heated surface is equipped with a cord and plug. The power supply has been wired at the factory. A qualified electrician must install a GFCI-protected, 120 V, 15 A, grounded outlet. Locate the outlet behind the bath and within 24" (610 mm) of the power supply.
- Plug the power supply into this outlet.

Test Run the Bath

- Check all electrical connections and make sure the electrical power to the bath is on.
- Operate the user keypad to test the temperature settings.
- For additional information on bath operation, refer to the "Operating Instructions" section.



4. Complete the Installation

Drop-In Models:

- If applicable, carefully remove the protective tape from the bath rim.
- Apply a bead of silicone sealant around the entire rim of the bath.
- Install water-resistant wallboard to the stud framing.
- Apply silicone sealant to seal all areas where the bath and wallboard meet.

Flanged Models:

- Drill a small pilot hole through the nailing-in flange at each stud. Add shims to eliminate any gaps.
- Nail 1/4" (6 mm) thick furring strips to the studs.
- Use large-head galvanized nails to secure the nailing-in flange to the studs.
- Install water-resistant wallboard, leaving a 1/8" (3 mm) gap between the bath edge and the wallboard.

All Models

- Install the finished deck/wall material 1/8" (3 mm) away from the bath edge to create a groove for silicone sealant.
- Apply silicone sealant in the groove between the bath edge and the finished deck/wall.
- Install the faucet trim.

Operating Instructions

IMPORTANT SAFETY INSTRUCTIONS

READ AND FOLLOW ALL INSTRUCTIONS

SAVE THESE INSTRUCTIONS

INSTRUCTIONS PERTAINING TO A RISK OF FIRE, ELECTRIC SHOCK, OR INJURY TO PERSONS



WARNING: When using electrical products, basic precautions should always be followed, including the following:



DANGER: Risk of accidental injury or drowning. To reduce the risk of injury, do not permit children to use this unit unless they are closely supervised at all times.



WARNING: Risk of personal injury. To avoid injury, exercise care when entering or exiting the bath.



WARNING: Risk of electric shock. Do not permit electric appliances (such as a hair dryer, lamp, telephone, radio, or television) within 5' (1.5 m) of this bath.



WARNING: The use of alcohol, drugs, or medication can greatly increase the risk of fatal hyperthermia. Prolonged immersion in hot water may induce hyperthermia. Hyperthermia occurs when the internal temperature of the body reaches a level several degrees above the normal body temperature of 98.6°F (37°C). The symptoms of hyperthermia include an increase in the internal temperature of the body, dizziness, lethargy, drowsiness, and fainting. The effects of hyperthermia include: (a) failure to perceive heat, (b) failure to recognize the need to exit the bath, (c) unawareness of impending hazard, (d) fetal damage in pregnant women, (e) physical inability to exit the bath, and (f) unconsciousness resulting in the danger of drowning.



WARNING: Risk of hyperthermia. People using medications and/or having an adverse medical history should consult a physician before using a bath equipped with a heater.



WARNING: Risk of fetal injury. Pregnant or possibly pregnant women should consult a physician before using the bath with heated surface.



WARNING: Risk of hyperthermia or drowning. Do not use the bath with heated surface immediately following strenuous exercise.



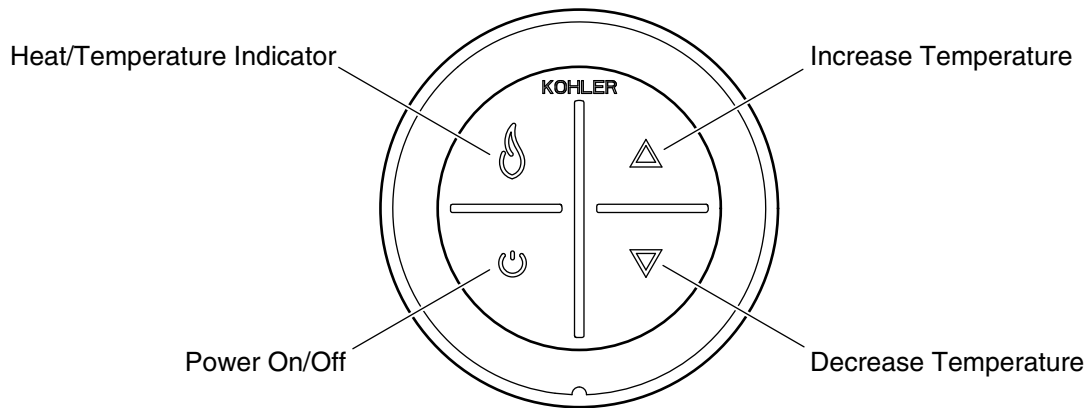
WARNING: Risk of hyperthermia or drowning. Water temperature in excess of 100°F (38°C) may cause injury. Test and adjust the water temperature before use.

Use this heated bath only for its intended purpose as described in this guide. Do not use attachments not recommended by Kohler Co.

The heated bath must be connected only to a supply circuit that is protected by a Ground-Fault Circuit-Interrupter (GFCI)*. Such a GFCI should be provided by the installer and should be tested on a routine basis. To test the GFCI, press the test button. The GFCI should interrupt power. Press the reset button. Power should be restored. If the GFCI fails to operate in this manner, the GFCI is defective. If the GFCI interrupts power to the bath without the test button being pressed, a ground current is flowing, indicating the possibility of an electric shock. Do not use this heated bath. Disconnect the heater and have the problem corrected by a qualified service representative before using.

Your new KOHLER bath has been listed by Underwriter's Laboratories, ensuring safety for you and your family. This bath also conforms to rigid ANSI and IAPMO standards set within the plumbing industry.

* Outside North America, this device may be known as a Residual Current Device (RCD).



Operating Instructions

Keypad Operation

- **Power Icon** - Turns the heater ON and OFF.
- **Heat/Temperature Indicator** - The [Flame] icon illuminates yellow, orange, or red depending on the heat level. Yellow indicates low heat, orange indicates medium heat, and red indicates high heat.
- **Up Arrow** - Increases the temperature.
- **Down Arrow** - Decreases the temperature.

NOTICE: The heater will remain on until it is manually turned OFF by pressing the [Power] icon.

NOTE: After 60 minutes of inactivity, the heater will automatically reset to low heat if the temperature was set to medium or high.

NOTE: The heater will turn on at the last selected temperature setting.

Error Codes

- **Heat indicator blinking red** - The heater is not functioning.
- **Heat indicator blinking yellow** - The temperature sensor is not functioning or is loose.
- Refer to the "Troubleshooting" section to troubleshoot any problems.

Confirm Heating System Operation

- Press the [Power] icon on the user keypad.
- Observe that the heat indicator turns yellow and the heater produces low heat.
- Press the [Up] arrow. Verify that the heat indicator turns orange and the temperature increases.
- Press the [Up] arrow a second time. Verify that the heat indicator turns red and the temperature increases.
- Press the [Down] arrow. Verify that the heat indicator turns orange and the temperature decreases.
- Press the [Down] arrow a second time. Verify that the heat indicator turns yellow and the temperature decreases.
- Press the [Power] icon to turn the heater OFF.

Care and Cleaning

For best results, keep the following in mind when caring for your KOHLER product:

- Always test your cleaning solution on an inconspicuous area before applying to the entire surface.
- Wipe surfaces clean and rinse completely with water immediately after applying cleaner. Rinse and dry any overspray that lands on nearby surfaces.
- Do not allow cleaners to soak on surfaces.
- Use a soft, dampened sponge or cloth. Never use an abrasive material such as a brush or scouring pad to clean surfaces.

For detailed cleaning information and products to consider, visit www.kohler.com/clean. To order Care & Cleaning information, call 1-800-456-4537.

Warranty

ONE-YEAR LIMITED WARRANTY

KOHLER plumbing products are warranted to be free of defects in material and workmanship for one year from date of installation.

Kohler Co. will, at its election, repair, replace or make appropriate adjustment where Kohler Co. inspection discloses any such defects occurring in normal usage within one (1) year after installation. Kohler Co. is not responsible for removal or installation costs. **Use of in-tank toilet cleaners will void the warranty.**

To obtain warranty service contact Kohler Co. either through your Dealer, Plumbing Contractor, Home Center or E-tailer, or by writing Kohler Co., Attn.: Customer Care Center, 444 Highland Drive, Kohler, WI 53044, USA, or by calling 1-800-4-KOHLER (1-800-456-4537) from within the USA and Canada, and 001-800-456-4537 from within Mexico, or visit www.kohler.com within the USA, www.ca.kohler.com from within Canada, or www.mx.kohler.com in Mexico.

IMPLIED WARRANTIES INCLUDING THAT OF MERCHANTABILITY AND FITNESS FOR A PARTICULAR PURPOSE ARE EXPRESSLY LIMITED IN DURATION TO THE DURATION OF THIS WARRANTY. KOHLER CO. AND/OR SELLER DISCLAIM ANY LIABILITY FOR SPECIAL, INCIDENTAL OR CONSEQUENTIAL DAMAGES. Some states/provinces do not allow limitations on how long an implied warranty lasts, or the exclusion or limitation of special, incidental or consequential damages, so these limitations and exclusions may not apply to you. This warranty gives you specific legal rights. You may also have other rights which vary from state/province to state/province.

This is Kohler Co.'s exclusive written warranty.

Warranty

For Mexico

KOHLER CO.

It is recommended that at the time of purchase, you verify that all accessories and components are complete in this package.

This Kohler product is warranted to be free of defects in material and workmanship for one (1) year from the date of purchase as shown on the invoice or receipt.

1. Kohler Co. will only service its commercialized products through its authorized distributors.
2. To obtain warranty service, please present the invoice and corresponding warranty.
3. Through its authorized distributors, Kohler Co. promises to repair the defective product or provide a new replacement or an equivalent model (in those cases that the model has been discontinued) when the product is beyond repair, without any charge to the consumer.
4. The time of repair will not exceed six (6) weeks commencing on the date the product is received.
5. It is recommended that the consumer save the invoice or receipt as additional protection, as it may substitute the warranty in the case that there is a discrepancy in the validity of the warranty.

Warranty (cont.)

EXCEPTIONS AND RESTRICTIONS

The Warranty will not be valid in the following cases:

1. When the product is not operated in accordance with the instructions concerning use and operation set forth in the owner's manual or installation instructions, and when the recommendations and warnings included are not observed.
2. When the product has been modified or dismantled partially or totally; or has been used in a negligent fashion and as a consequence has suffered damages attributable to the consumer, individual, or hardware not authorized by Kohler Co.
3. This warranty does not cover the damages as a result of disaster such as fire or acts of God, including flooding, earthquake, or electric storms, etc. To obtain a list of distributors in your area where you can exercise your rights under this warranty, please call 001-800-456-4537.

KOHLER CO., KOHLER, WI 53044 U.S.A.

IMPORTER:

INTERNACIONAL DE CERÁMICA, S.A.B. DE C.V.

AV. CARLOS PACHECO NO. 7200

CHIHUAHUA, CHIH., MEXICO C.P. 31060

TEL: 52 (14) 29-11-11

Troubleshooting

This section is for general aid only. A Kohler Co. Authorized Service Representative or qualified electrician should correct any electrical problems. For warranty service, call 1-800-4KOHLER from within the USA and Canada, or 001-800-456-4537 from within Mexico.

NOTE: The product model number is located on the heater side of the bath.

NOTE: For service parts information, visit your product page at www.kohler.com.

Troubleshooting Table

Symptoms	Probable Cause	Recommended Action
1. Heated bath does not turn on.	<p>A. No power to power supply.</p> <p>B. User keypad cable loose or damaged.</p> <p>C. User keypad does not work.</p> <p>D. Power supply does not work.</p>	<p>A. Set/reset GFCI or RCD breaker; check wiring.</p> <p>B. Check wire connections. If necessary, replace user keypad cable.</p> <p>C. Check wire connections. Replace user keypad.</p> <p>D. Replace power supply.</p>
2. Bath is turned on, but there is little or no heat.	<p>A. Heater cable loose or damaged.</p> <p>B. Heater/insulation loose on the bath.</p> <p>C. Heat indicator is yellow or orange.</p> <p>D. Heater does not work.</p> <p>E. Temperature sensor does not work.</p>	<p>A. Check wire connections. If necessary, replace heater cable.</p> <p>B. Secure the heater/insulation to the bath.</p> <p>C. Press the [Up] arrow to increase temperature.</p> <p>D. Replace the heater.</p> <p>E. Replace the heater.</p>
3. Temperature does not automatically reset to low after 1 hour.	<p>A. Temperature sensor does not work.</p>	<p>A. Replace the heater and/or keypad.</p>

Troubleshooting (cont.)

Troubleshooting Table

Symptoms	Probable Cause	Recommended Action
4. Heat indicator is blinking red.	A. Heating system needs to be reset. B. Heater does not work.	A. Press the [Power] icon to turn the power OFF. Wait 10 seconds, then turn the power ON. B. Replace the heater.
5. Heat indicator is blinking yellow.	A. Heating system needs to be reset. B. Temperature sensor does not work.	A. Press the [Power] icon to turn the power OFF. Wait 10 seconds, then turn the power ON. B. Replace the heater.

Guide d'installation et d'entretien

Baignoire avec surface chauffée

Instructions d'installation



AVERTISSEMENT: Lors de l'utilisation de produits électriques, toujours observer les précautions de base, notamment:



DANGER: Risque d'électrocution. Raccorder uniquement à un circuit protégé par un disjoncteur de fuite de terre (DDFT)*.



AVERTISSEMENT: Risque d'électrocution. La mise à la terre est requise. Toutes les connexions électriques doivent être effectuées par un électricien agréé.



AVERTISSEMENT: Risque d'électrocution. Déconnecter l'appareil de l'alimentation électrique avant d'effectuer un entretien ou une réparation.



AVERTISSEMENT: Risque de dommages matériels. Les matériaux de construction et le câblage doivent être acheminés loin des composants qui dégagent de la chaleur et qui font partie de la baignoire.



AVERTISSEMENT: Risque de blessures ou d'endommagement du matériel. Toutes les instructions doivent être lues avec la plus grande attention avant de commencer l'installation, et toutes les conditions suivantes doivent être respectées.

AVIS: Respecter tous les codes de plomberie et électriques locaux.

AVIS: Fournir un accès pour entretien à l'alimentation électrique et aux composants du chauffage.

* Hors de l'Amérique du Nord, ce dispositif peut être connu sous le nom de Dispositif différentiel à courant résiduel (DDR).

Identification du produit

N° de modèle K-_____

Noter le numéro d'identification exact, copié de l'étiquette sur l'emballage.

Information sur le produit

Installations électriques requises



AVERTISSEMENT: Risque de brûlures, d'incendie, d'électrocution ou de blessures. Ne pas faire fonctionner le chauffage si le cordon d'alimentation est endommagé. Pour obtenir une assistance adéquate pour la réparation de ce produit, appeler: 1-800-4KOHLER à partir des É.-U. ou du Canada, ou le 001-800-456-4537 à partir du Mexique.

Cette installation doit avoir un disjoncteur de fuite de terre (DDFT) de classe A*. Le disjoncteur DDFT protège contre les risques d'électrocution ligne sous tension-terre. Utiliser une alimentation de 120 V, 15 A, 60 Hz dédiée à la baignoire avec surface chauffée.

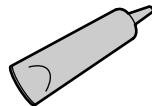
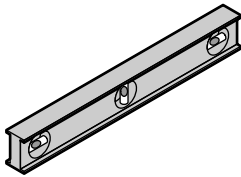
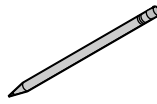
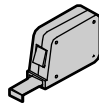
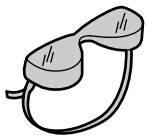
* Hors de l'Amérique du Nord, ce dispositif peut être connu sous le nom de Dispositif différentiel à courant résiduel (DDR).

Information sur le produit (cont.)

Pièces assemblées en usine

Les composants installés en usine comprennent la surface chauffée avec cordon d'alimentation, le clavier utilisateur, et le câble du clavier. Aucun montage n'est nécessaire, sauf le câblage électrique et la plomberie.

Outils et matériaux



Mastic à la silicone

Plus:

- Matériaux et outils à bois classiques
- Clous galvanisés à grande tête
- Toile de protection
- Colle mastic (optionnelle)
- Ciment ou mortier (optionnel)
- 2x4 ou 2x6s
- Panneau mural résistant à l'eau
- Matériau de mur fini

Avant de commencer

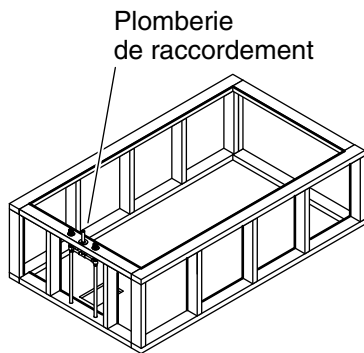
AVIS: Un support de plancher adéquat doit être fourni. Noter le **numéro de modèle** se trouvant sur le côté chauffage de la baignoire, puis visiter la page des produits sur le site www.kohler.com pour obtenir de l'information supplémentaire.

AVIS: Ne pas supporter le poids de charge de la baignoire par le rebord.

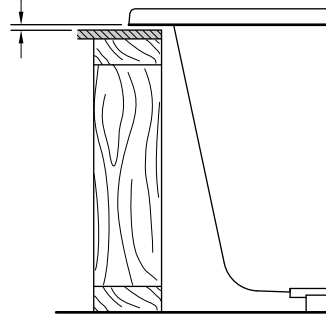
AVIS: Confirmer un support adéquat pour un robinet à montage sur rebord; les robinets de grande taille qui auraient été utilisés par inadvertance comme moyen de support ne sont pas appropriés ou sécuritaires pour cette installation.

- Inspecter la baignoire avant de commencer l'installation. Si des dommages sont notés, ne pas installer la baignoire; contacter le concessionnaire.
- Lors de la planification de l'emplacement d'installation, fournir un accès aux connexions de plomberie finales pour permettre les entretiens.
- Pour les montages sous plan, un kit de montage sous plan est nécessaire.

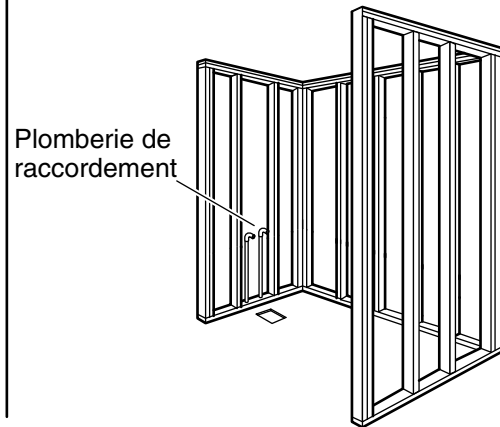
Modèles à encastrer par le dessus



Laisser un espace de
1/16" (2 mm)
sous le rebord.



Modèles à brides



1. Préparer le site

AVIS: Mesurer le produit pour la préparation du site. Noter le **numéro de modèle** se trouvant sur le côté chauffage de la baignoire, puis visiter la page des produits sur le site www.kohler.com pour obtenir de l'information supplémentaire.

Charpente

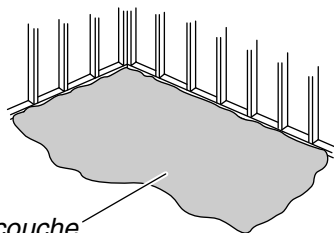
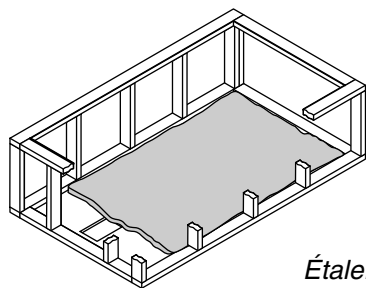
- S'assurer que le plancher offre un support adéquat pour la baignoire et vérifier que le sous-plancher est plat et à niveau.
- **Pour des modèles à encastrer par le dessus:** Cette baignoire est conçue pour des installations à encastrer par le dessus ou sur des podiums. Avec un robinet à montage sur la plate-forme, prévoir un espace sur la plate-forme pour y loger le robinet.
- **Pour des modèles à brides:** La baignoire est conçue pour une installation en alcôve. Tenir compte de l'épaisseur des matériaux du mur fini lors de la construction de la charpente.
- Construire une charpente avec montants de 2x4 ou 2x6.
- Fournir un espace de 1/16" (2 mm) entre le rebord de la baignoire et la charpente afin d'assurer que la baignoire n'est pas supportée par le rebord. Prendre en considération l'épaisseur du matériau de la plate-forme finie.
- Installer un panneau d'accès pour les entretiens ultérieurs de l'alimentation électrique ou des composants de l'appareil de chauffage.
- **Pour les installations à encastrer par le dessus contre un mur:** Installer un boudin pour carrelage pour empêcher l'eau de suinter à l'arrière du mur. Suivre les instructions incluses avec le boudin pour carrelage.

Plomberie

REMARQUE: Pour des installation de drain à travers le plancher: Couper un orifice pour drain pour les connexions de drain.

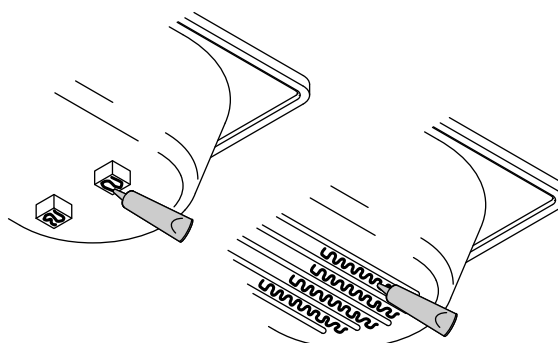
- Installer la plomberie de raccordement.
- Installer le drain sur la baignoire selon les instructions du fabricant du drain.
- Placer une toile de protection propre au fond de la baignoire pour protéger la finition pendant la procédure d'installation.

Ciment ou lit de mortier



Étaler une couche
de 1" (25 mm)
à 2" (51 mm).

Colle mastic



2. Installer la baignoire

REMARQUE: Certains modèles sont dotés de pieds de support; d'autres modèles ont des supports moulés.

- Choisir la méthode d'installation qui s'applique le mieux à votre installation en particulier. Suivre les instructions appropriées.

Option 1: Ciment ou mortier

AVIS: Ne pas utiliser de plâtre dur ou de mélange pour cloison sèche, car ces matériaux ne fournissent pas une adhésion durable.

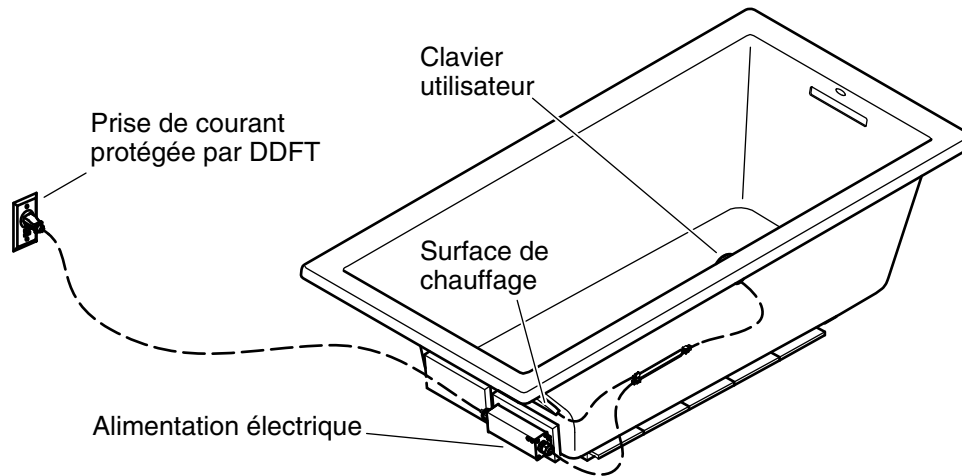
- Étaler une couche de ciment ou de mortier entre 1" (25 mm) et 2" (51 mm) sur le sous-plancher.
- Avec de l'aide, lever la baignoire avec précaution pour la positionner dans le matériel du lit.
- Vérifier que la baignoire est à niveau. Repositionner ou caler selon les besoins.

Option 2: Colle mastic

- Appliquer une quantité suffisante de colle mastic de haute qualité sur la base des pieds de support ou des supports moulés.
- Avec de l'aide, lever la baignoire avec précaution et la positionner.
- S'assurer que la baignoire est à niveau et qu'elle repose sur tous les supports. Repositionner ou caler selon les besoins.

Installer la plomberie

- Connecter la pièce de raccordement du drain au siphon.
- Installer la vanne de robinet.
- Inspecter les connexions du drain pour y rechercher des fuites.



3. Effectuer les connexions électriques



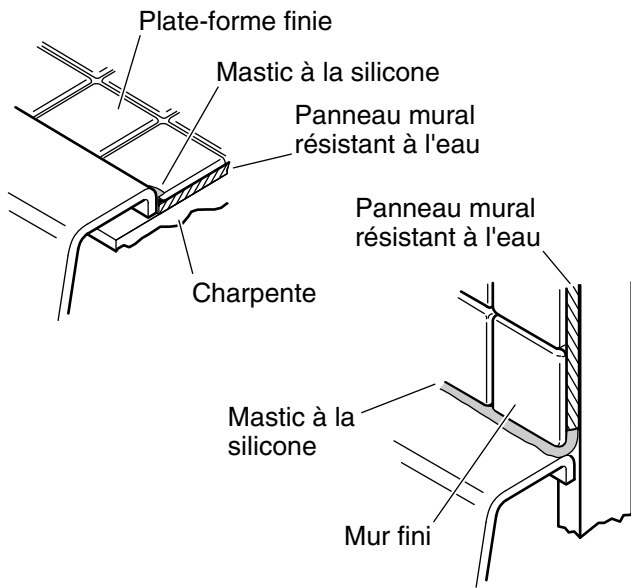
AVERTISSEMENT: Risque d'électrocution. Brancher l'alimentation électrique sur une prise de mise à la terre, reliée à la terre de manière adéquate et protégée par un disjoncteur de fuite de terre (DDFT) ou un dispositif différentiel à courant résiduel (DDR). Ne pas retirer la broche de mise à la terre de la fiche. Ne pas utiliser un adaptateur de mise à la terre.

- Votre baignoire avec surface chauffée est dotée d'une fiche et d'un cordon. L'alimentation électrique a été câblée en usine. Un électricien agréé doit installer une prise de courant mise à la terre de 120 V, 15 A protégée par disjoncteur de fuite de terre. Placer la prise de courant à l'arrière de la baignoire et dans un rayon de 24" (610 mm) de l'alimentation électrique.
- Brancher l'alimentation électrique dans cette prise.

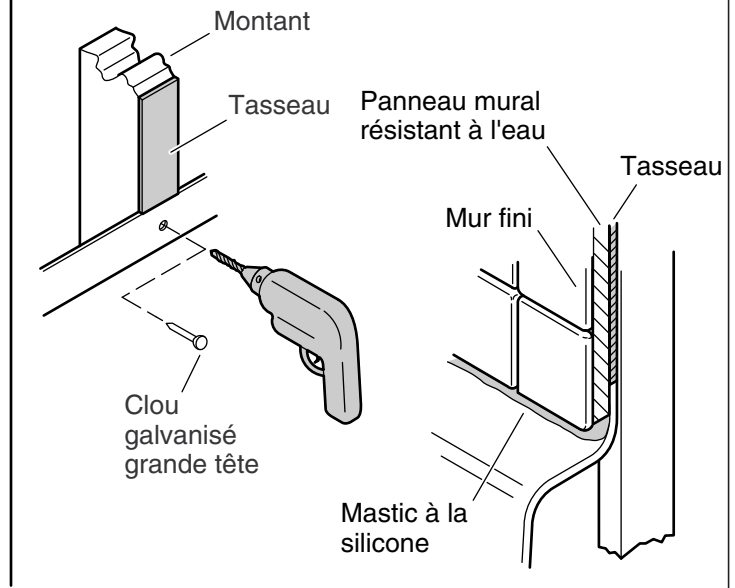
Tester le fonctionnement de la baignoire

- Inspecter toutes les connexions électriques et s'assurer que l'alimentation électrique pour la baignoire est activée.
- Faire fonctionner le clavier utilisateur pour tester les réglages de la température.
- Pour obtenir de l'information supplémentaire sur le fonctionnement de la baignoire, voir la rubrique "Instructions d'utilisation".

Modèles à encastrer par le dessus



Modèles à brides



4. Terminer l'installation

Modèles à encastrer par le dessus:

- Si applicable, retirer avec précaution la pellicule protectrice du rebord de la baignoire.
- Appliquer un boudin de mastic d'étanchéité à la silicone autour de tout le rebord de la baignoire.
- Installer un panneau mural résistant à l'eau sur la charpente des montants.
- Appliquer un mastic d'étanchéité à la silicone pour sceller tous les endroits où la baignoire et le panneau mural entrent en contact.

Modèles à brides:

- Percer un petit trou-pilote à travers la bride de cloutage de chaque montant. Ajouter des cales pour éliminer tous les écarts.
- Clouer des tasseaux de 1/4" (6 mm) d'épaisseur sur les montants.
- Utiliser des clous galvanisés à grande tête pour fixer la bride de cloutage sur les montants.
- Installer un panneau mural résistant à l'eau, en laissant un espace de 1/8" (3 mm) entre le rebord de la baignoire et le panneau mural.

Tous les modèles

- Installer le matériau de mur/de la plate-forme finis à 1/8" (3 mm) du bord de la baignoire afin de créer une rainure pour le mastic d'étanchéité à la silicone.
- Appliquer du mastic d'étanchéité à la silicone dans la rainure entre le bord de la baignoire et la plate-forme/le mur finis.
- Installer la garniture de robinet.

Instructions d'utilisation

INSTRUCTIONS IMPORTANTES SUR LA SÉCURITÉ

LIRE ET SUIVRE TOUTES LES INSTRUCTIONS

CONSERVER CES INSTRUCTIONS

INSTRUCTIONS RELATIVES AUX RISQUES D'INCENDIE, D'ÉLECTROCUTION OU DE BLESSURES CORPORELLES



AVERTISSEMENT: Lors de l'utilisation de produits électriques, toujours observer les précautions de base, notamment:



DANGER: Risque de blessures ou de noyade accidentelles Afin de réduire les risques de blessures, ne jamais permettre à un enfant d'utiliser cet appareil sans surveillance.



AVERTISSEMENT: Risque de blessures. Pour éviter les blessures corporelles, entrer et sortir avec précaution de la baignoire.



AVERTISSEMENT: Risque d'électrocution. Ne pas amener les appareils électriques (tels que des sèche-cheveux, des lampes, des téléphones, des radios ou des télévisions) dans un rayon de 5' (1,5 m) de cette baignoire.



AVERTISSEMENT: La consommation d'alcool, de drogues ou de médicaments peut augmenter considérablement le risque fatal d'hyperthermie. Une immersion prolongée dans l'eau chaude peut provoquer une hyperthermie. Une hyperthermie a lieu lorsque la température corporelle interne atteint un niveau dépassant de plusieurs degrés la température corporelle normale de 98,6°F (37°C). Les symptômes d'hyperthermie comprennent une hausse de la température corporelle interne, les étourdissements, une léthargie, une somnolence et les évanouissements. Les effets de l'hyperthermie comprennent: (a) défaut de percevoir la chaleur, (b) défaut de s'apercevoir du besoin de sortir de la baignoire, (c) incapacité de reconnaître le danger, (d) dommages au fœtus dans le cas des femmes enceintes, (e) incapacité physique de sortir de la baignoire et (f) inconscience et danger conséquent de noyade.



AVERTISSEMENT: Risque d'hyperthermie. Les personnes sous médicaments et/ou qui ont des antécédents médicaux indésirables doivent consulter un médecin avant d'utiliser une baignoire équipée d'un appareil de chauffage.



AVERTISSEMENT: Risque de préjudice corporel au fœtus. Les femmes enceintes ou qui pourraient être enceintes doivent consulter un médecin avant d'utiliser la baignoire avec surface chauffée.



AVERTISSEMENT: Risque d'hyperthermie ou de noyade. Ne pas utiliser la baignoire avec surface chauffée immédiatement après des exercices physiques rigoureux.



AVERTISSEMENT: Risque d'hyperthermie ou de noyade. Une température d'eau supérieure à 100°F (38°C) peut causer des traumatismes. Vérifier et régler la température de l'eau avant utilisation.

Utiliser cette baignoire chauffée uniquement pour l'usage prévu, tel que décrit dans ce guide. Ne pas utiliser de dispositifs d'attache non recommandés par Kohler Co.

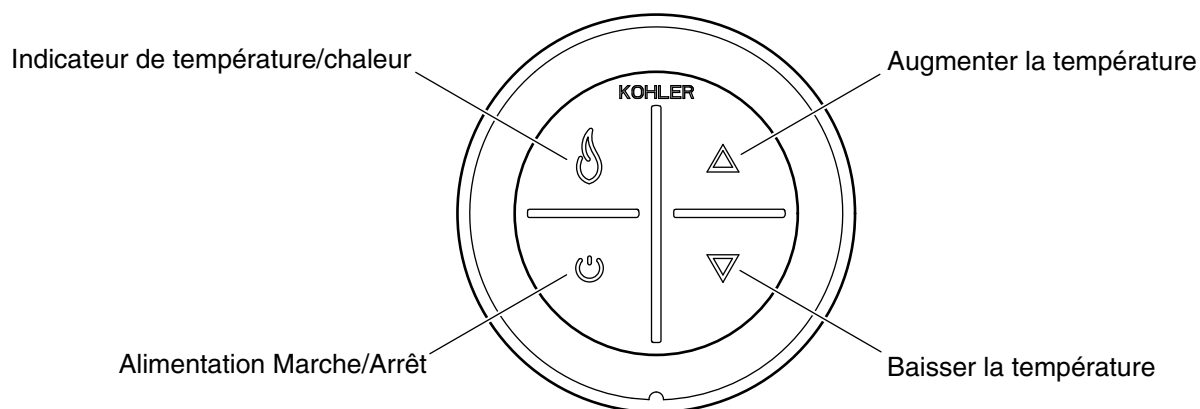
La baignoire chauffée doit être raccordée uniquement à un circuit d'alimentation qui est protégé par un disjoncteur de fuite de terre (DDFT). L'installateur doit fournir un disjoncteur de fuite de terre de ce type et celui-ci doit être inspecté régulièrement. Pour inspecter le disjoncteur de fuite de terre, appuyer sur le bouton d'essai. Le disjoncteur de fuite de terre doit couper le courant. Appuyer sur le bouton de réinitialisation. L'alimentation devrait avoir été restaurée. Si le disjoncteur de fuite de terre ne fonctionne pas de cette

Instructions d'utilisation (cont.)

manière, le disjoncteur est défectueux. Si le disjoncteur de fuite de terre interrompt l'alimentation de courant vers la baignoire sans que l'on ait appuyé sur le bouton d'essai, ceci indique qu'un courant à la terre est en train de circuler, et, par conséquent, la possibilité d'un choc électrique. Ne pas utiliser pas cette baignoire chauffée. Déconnecter l'appareil de chauffage et le faire réviser par un technicien qualifié avant de l'utiliser.

Votre nouvelle baignoire KOHLER a été homologuée par l'Underwriter's Laboratories, assurant ainsi votre sécurité et celle de votre famille. Cette baignoire est également conforme aux normes ANSI et IAPMO établies pour l'industrie de la plomberie.

* Hors de l'Amérique du Nord, ce dispositif peut être connu sous le nom de Dispositif différentiel à courant résiduel (DDR).



Instructions d'utilisation

Fonctionnement du clavier

- **Icône d'alimentation** - Met l'appareil de chauffage en marche et l'arrête.
- **Indicateur de chaleur/température** - L'icône [Flamme] s'allume en jaune, en orange ou en rouge, en fonction du niveau de la chaleur. Le jaune indique une chaleur basse, l'orange indique une chaleur moyenne, et le rouge indique une chaleur élevée.
- **Flèche vers le haut** - Augmente la température.
- **Flèche vers le bas** - Abaisse la température.

AVIS: L'appareil de chauffage reste en marche jusqu'à ce qu'il soit arrêté manuellement, en appuyant sur l'icône [Alimentation].

REMARQUE: Au bout de 60 minutes d'inactivité, l'appareil de chauffage se réinitialise automatiquement sur une chaleur basse si la température a été réglée au niveau moyen ou élevé.

REMARQUE: L'appareil de chauffage se met en marche avec la dernière température sélectionnée.

Codes d'erreur

- **L'indicateur de chaleur clignote en rouge** - L'appareil de chauffage ne fonctionne pas.
- **L'indicateur de chaleur jaune clignote** - La sonde de température ne fonctionne pas ou est desserrée.
- Se reporter à la section "Dépannage" pour rechercher des problèmes et y remédier.

Confirmer le fonctionnement du système de chauffage

- Appuyer sur l'icône [Alimentation] sur le clavier utilisateur.
- Observer que l'indicateur de chaleur devient jaune et que l'appareil de chauffage fournit une chaleur basse.
- Appuyer sur la flèche [vers le haut]. Vérifier que l'indicateur de chaleur devient orange et que la température augmente.
- Appuyer une deuxième fois sur la flèche [vers le haut]. Vérifier que l'indicateur de chaleur devient rouge et que la température diminue.
- Appuyer sur la flèche [vers le bas]. Vérifier que l'indicateur de chaleur devient orange et que la température diminue.

Instructions d'utilisation (cont.)

- Appuyer une deuxième fois sur la flèche [vers le bas]. Vérifier que l'indicateur de chaleur devient jaune et que la température diminue.
- Appuyer sur l'icône [Alimentation] pour arrêter l'appareil de chauffage.

Entretien et nettoyage

Pour obtenir les meilleurs résultats possibles, prendre ce qui suit en considération lors de l'entretien de votre produit KOHLER:

- Toujours tester la solution de nettoyage sur une surface non visible avant de l'appliquer sur l'ensemble de la surface.
- Essuyer les surfaces et rincer complètement avec de l'eau immédiatement après l'application du nettoyant. Rincer et sécher tout éclaboussement sur les surfaces avoisinantes.
- Ne pas laisser les nettoyeurs tremper sur les surfaces.
- Utiliser une éponge ou un chiffon doux et humide. Ne jamais utiliser de matériau abrasif tel qu'une brosse ou une éponge à récurer pour nettoyer les surfaces.

Pour obtenir des informations détaillées sur le nettoyage et les produits à considérer, consulter le site www.kohler.com/clean. Pour commander des informations sur l'entretien & le nettoyage, appeler le 1-800-456-4537.

Garantie

GARANTIE LIMITÉE D'UN AN

Les produits de plomberie KOHLER sont garantis contre tout vice de matériau et de fabrication pendant un an à partir de la date de l'installation.

Si un vice est découvert au cours d'une utilisation normale, Kohler Co. choisira, à sa discrétion, la réparation, le remplacement ou la rectification appropriée après inspection desdits vices par Kohler Co. pendant un (1) an à partir de la date d'installation. Kohler Co. n'est pas responsable des frais d'enlèvement ou d'installation. **L'utilisation de nettoyeurs à l'intérieur du réservoir annule la garantie.**

Pour obtenir le service de garantie, contacter Kohler Co., par l'intermédiaire du vendeur, plombier, centre de rénovation ou revendeur par internet, ou bien par écrit à l'adresse suivante Kohler Co., Attn.: Customer Care Center, 444 Highland Drive, Kohler, WI 53044, USA, ou appeler le 1-800-4-KOHLER (1-800-456-4537) à partir des É.-U. et du Canada, et le 001-800-456-4537 à partir du Mexique, ou consulter le site www.kohler.com aux É.-U., www.ca.kohler.com à partir du Canada, ou www.mx.kohler.com au Mexique.

LES GARANTIES TACITES, Y COMPRIS CELLES DE COMMERCIALITÉ ET D'ADAPTATION À UN USAGE PARTICULIER, SONT EXPRESSÉMENT LIMITÉES À LA DURÉE DE LA PRÉSENTE GARANTIE. KOHLER CO. ET/OU LE REVENDEUR DÉCLINENT TOUTE RESPONSABILITÉ CONTRE LES DOMMAGES PARTICULIERS, ACCESSOIRES OU INDIRECTS. Certains états et provinces ne permettent pas de limite sur la durée de la garantie tacite, ni l'exclusion ou la limite des dommages particuliers, accessoires ou indirects, et, par conséquent, lesdites limites et exclusions peuvent ne pas s'appliquer à votre cas. Cette garantie vous donne des droits juridiques particuliers. Vous pouvez également avoir d'autres droits qui varient d'un état ou d'une province à l'autre.

Ceci constitue la garantie écrite exclusive de Kohler Co.

Dépannage

Cette section est seulement destinée à une aide générale. Un représentant du service agréé Kohler Co. ou un électricien qualifié doit rectifier tous les problèmes électriques. Pour un service de garantie, appeler le 1-800-4KOHLER à partir des É.-U. et du Canada, ou le 001-800-456-4537 à partir du Mexique.

REMARQUE: Le numéro de modèle du produit se trouve sur le côté appareil de chauffage de la baignoire.

REMARQUE: Pour obtenir de l'information sur les pièces de rechange, visiter la page de produits sur le site www.kohler.com.

Dépannage (cont.)

Tableau de dépannage

Symptômes	Cause probable	Action recommandée
1. La baignoire chauffée ne se met pas en marche.	<p>A. Aucune alimentation pour la source d'alimentation électrique.</p> <p>B. Câble du clavier utilisateur desserré ou endommagé.</p> <p>C. Le clavier utilisateur ne fonctionne pas.</p> <p>D. L'alimentation électrique ne fonctionne pas.</p>	<p>A. Régler/réinitialiser le disjoncteur DDFT ou DDR, inspecter le câblage.</p> <p>B. Vérifier les connexions de fils. Si nécessaire, remplacer le câble du clavier utilisateur.</p> <p>C. Vérifier les connexions de fils. Remplacer le clavier utilisateur.</p> <p>D. Remplacer l'alimentation électrique.</p>
2. La baignoire est en marche, mais il y a toujours peu de chaleur ou aucune chaleur.	<p>A. Câble de l'appareil de chauffage desserré ou endommagé.</p> <p>B. Appareil de chauffage/isolant desserré sur la baignoire.</p> <p>C. L'indicateur de chaleur est jaune ou orange.</p> <p>D. Le chauffe-eau ne fonctionne pas.</p> <p>E. La sonde de température ne fonctionne pas.</p>	<p>A. Vérifier les connexions de fils. Si nécessaire, remplacer le câble de l'appareil de chauffage.</p> <p>B. Sécuriser l'appareil de chauffage/l'isolant sur la baignoire</p> <p>C. Appuyer sur la flèche [vers le haut] pour augmenter la température.</p> <p>D. Remplacer l'appareil de chauffage.</p> <p>E. Remplacer l'appareil de chauffage.</p>
3. La température ne se réinitialise pas automatiquement à une basse température au bout d'une heure.	<p>A. La sonde de température ne fonctionne pas.</p>	<p>A. Remplacer l'appareil de chauffage et/ou le clavier.</p>
4. L'indicateur de chaleur clignote en rouge.	<p>A. Le système de chauffage doit être réinitialisé.</p> <p>B. Le chauffe-eau ne fonctionne pas.</p>	<p>A. Appuyer sur l'icône [Alimentation] pour couper l'alimentation. Attendre 10 secondes, puis remettre l'appareil sous alimentation.</p> <p>B. Remplacer l'appareil de chauffage.</p>
5. L'indicateur de chaleur clignote en jaune.	<p>A. Le système de chauffage doit être réinitialisé.</p> <p>B. La sonde de température ne fonctionne pas.</p>	<p>A. Appuyer sur l'icône [Alimentation] pour couper l'alimentation. Attendre 10 secondes, puis remettre l'appareil sous alimentation.</p> <p>B. Remplacer l'appareil de chauffage.</p>

Guía de instalación y cuidado

Bañera con superficie de calefacción

Instrucciones de instalación



ADVERTENCIA: Al usar aparatos eléctricos, siga siempre las precauciones básicas, incluyendo las siguientes:



PELIGRO: Riesgo de descarga eléctrica. Conecte sólo a un circuito protegido por un interruptor de circuito con pérdida a tierra (GFCI)*.



ADVERTENCIA: Riesgo de descarga eléctrica. La conexión a tierra es un requisito. Un electricista calificado debe realizar todas las conexiones eléctricas.



ADVERTENCIA: Riesgo de descarga eléctrica. Desconecte el suministro eléctrico antes de dar servicio.



ADVERTENCIA: Riesgo de daños a la propiedad. Los materiales de construcción y el cableado se deben colocar lejos de los componentes de la bañera que producen calor.



ADVERTENCIA: Riesgo de lesiones personales o daños a la propiedad. Lea atentamente todas las instrucciones antes de comenzar la instalación, incluyendo los requisitos detallados a continuación.

AVISO: Cumpla con todos los códigos locales de electricidad y de plomería.

AVISO: Provea acceso de servicio a la fuente de alimentación eléctrica y a los componentes del calentador.

* Fuera de los Estados Unidos, este dispositivo se conoce como un dispositivo de corriente residual (RCD, por sus siglas en inglés).

Identificación del producto

Modelo # K-_____

Escriba el número de modelo, copiado de la etiqueta de la caja.

Información sobre el producto

Requisitos eléctricos



ADVERTENCIA: Riesgo de quemaduras, incendio, sacudida eléctrica o lesiones personales. No haga funcionar el calentador si el cable de la fuente de alimentación está dañado. Para obtener la asesoría correcta sobre la reparación de este producto, llame al: 1-800-4KOHLER desde los EE.UU. o Canadá, o al 001-800-456-4537 desde México.

La instalación debe contar con un interruptor de circuito con pérdida a tierra (GFCI)* de Clase A. El GFCI protege contra el peligro de descarga eléctrica de línea a tierra. Utilice un circuito de 120 V, 15 A, 60 Hz para la bañera con superficie de calefacción.

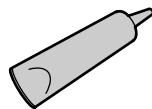
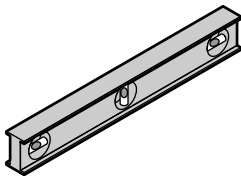
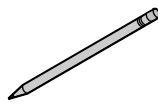
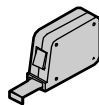
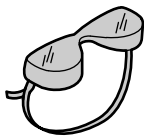
* Fuera de los Estados Unidos, este dispositivo se conoce como un dispositivo de corriente residual (RCD, por sus siglas en inglés).

Información sobre el producto (cont.)

Componentes ensamblados en fábrica

Los componentes instalados en fábrica incluyen la superficie de calefacción con el cable de la fuente de alimentación, el teclado y el cable del teclado. Aparte del cableado eléctrico y la instalación de plomería, no es necesario realizar ningún tipo de ensamble.

Herramientas y materiales



Sellador de silicona

Más:

- Herramientas y materiales convenciones de carpintería
- Clavos galvanizados de cabeza grande
- Lona
- Adhesivo de construcción (opcional)
- Cemento o mortero (opcional)
- Postes de madera de 2x4 ó 2x6
- Panel de yeso impermeable
- Material de acabado de la pared

Antes de comenzar

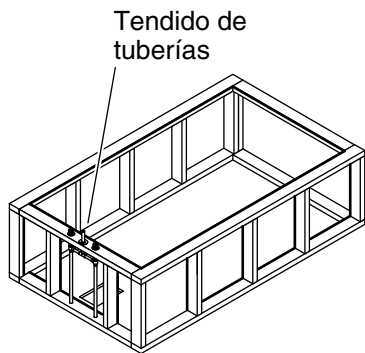
AVISO: Se debe proveer el soporte de piso adecuado. Fíjese en el **número de modelo** ubicado en el lado del calentador de la bañera, luego visite la página del producto en www.kohler.com para información adicional.

AVISO: No apoye la cara del peso de la bañera sobre los bordes.

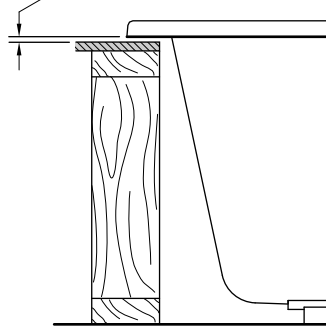
AVISO: Verifique que haya suficiente soporte para la grifería de montaje en borde; las griferías grandes que puedan ser utilizadas inadvertidamente como medio de soporte no son apropiadas ni seguras para esta instalación.

- Revise la bañera antes de comenzar la instalación. Si la bañera presenta daño, no la instale; comuníquese con su distribuidor.
- Al planificar el área de instalación, provea acceso a todas las conexiones de plomería finales para dar servicio.
- Para las instalaciones bajo cubierta, se requiere un kit de montaje bajo cubierta.

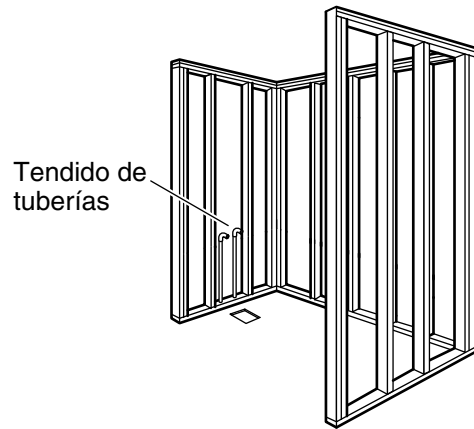
Modelos de sobreponer



Provea una separación de 1/16" (2 mm) debajo del borde.



Modelos de reborde



1. Prepare el sitio

AVISO: Mida el producto para la preparación del lugar. Fíjese en el **número de modelo** ubicado en el lado del calentador de la bañera, luego visite la página del producto en www.kohler.com para información adicional.

Estructura de postes

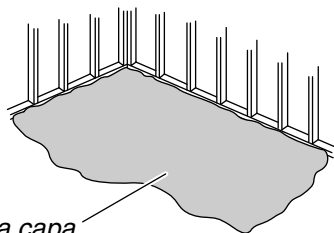
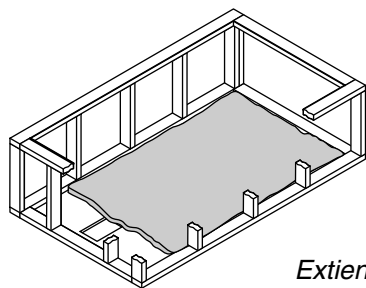
- Verifique que el piso proporcione el soporte adecuado para su bañera y que el subpiso esté plano y a nivel.
- Para modelos de sobreponer:** La bañera está diseñada para instalación de sobreponer o sobre cubierta elevada. Si va a instalar una grifería de montaje en cubierta, planifique un espacio en la cubierta para la grifería.
- Para modelos de reborde:** La bañera está diseñada para instalación encajonada entre tres paredes. Al construir la estructura de postes de madera, tome en cuenta el espesor de los materiales de la pared acabada.
- Construya la estructura de postes de madera de 2x4 ó 2x6.
- Provea una separación de 1/16" (2 mm) entre el borde de la bañera y la estructura de madera para asegurar que la bañera no quede apoyada por el borde. Tome en cuenta el grosor total del material de la cubierta acabada.
- Instale un panel de acceso para el servicio futuro de la fuente de alimentación o componentes del calentador.
- Para instalaciones de sobreponer contra una pared:** Instale una tira selladora para evitar que el agua se filtre detrás de la pared. Siga las instrucciones incluidas con la tira selladora.

Plomería

NOTA: Para instalaciones de desagüe a través del piso: Corte un orificio de desagüe para las conexiones del desagüe.

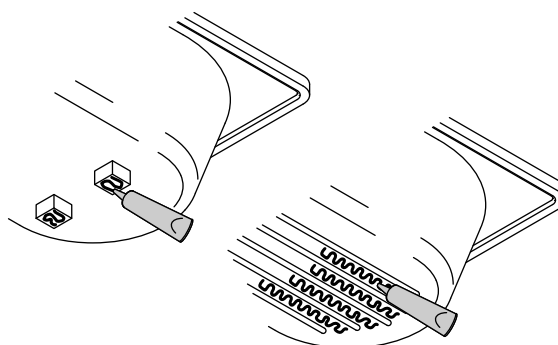
- Instale las tuberías de plomería.
- Instale el desagüe en la bañera según las instrucciones del fabricante del desagüe.
- Coloque una lona limpia en el fondo de la bañera para proteger el acabado durante el proceso de instalación.

Capa de cemento o mortero



Extienda una capa de 1" (25 mm) a 2" (51 mm).

Adhesivo de construcción



2. Instale la bañera

NOTA: Algunos modelos están equipados de pies de soporte; algunos modelos tienen soportes moldeados.

- Elija el método de instalación más apropiado para su instalación en particular. Siga las instrucciones correspondientes.

Opción 1: Capa de cemento o mortero

AVISO: No utilice cemento de yeso o pasta para paneles de yeso, estos materiales no proporcionarán una adherencia duradera.

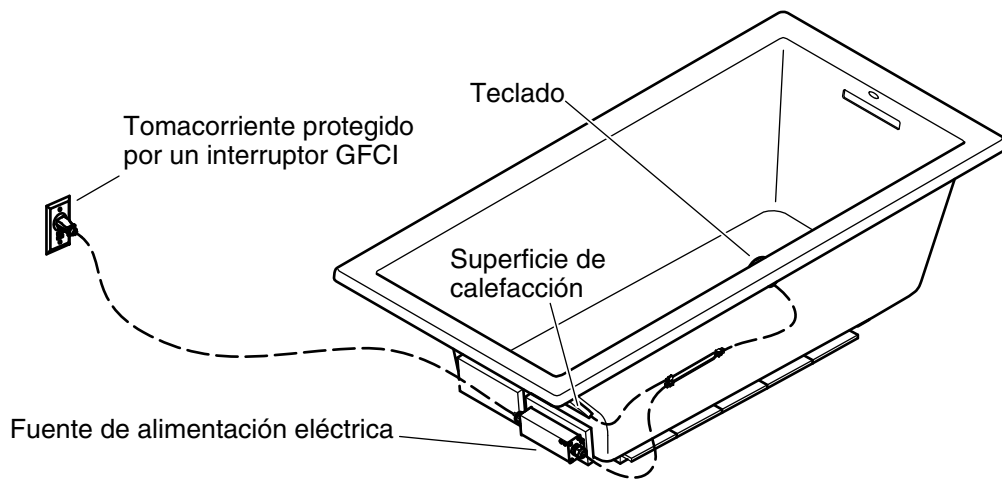
- Extienda una capa de 1" (25 mm) a 2" (51 mm) de cemento o mortero en el subpiso.
- Obtenga ayuda para colocar con cuidado la bañera en su lugar sobre el material de la capa.
- Verifique que la bañera esté a nivel. Cambie la posición o coloque cuñas según sea necesario.

Opción 2: Adhesivo de construcción

- Aplique una cantidad abundante de adhesivo de construcción de alta calidad en la parte inferior de los pies de soporte o de los soportes moldeados.
- Obtenga ayuda para colocar con cuidado la bañera en su lugar.
- Verifique que la bañera esté a nivel y apoyada sobre todos los soportes. Cambie la posición o coloque cuñas según sea necesario.

Instale la plomería

- Conecte el tubo final del desagüe a la trampa.
- Instale las válvulas de la grifería.
- Revise que no haya fugas en las conexiones de desagüe.



3. Realice las conexiones eléctricas

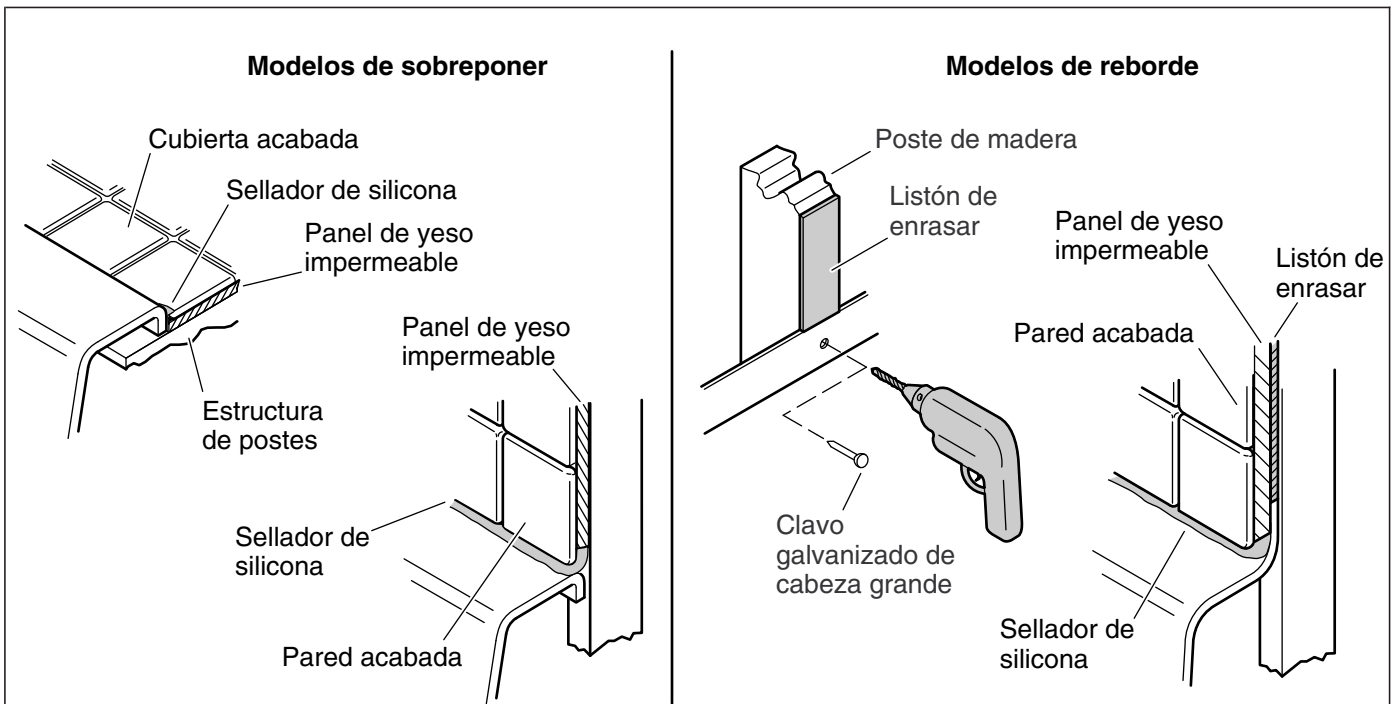


ADVERTENCIA: Riesgo de descarga eléctrica. Conecte la fuente de alimentación a un tomacorriente conectado a tierra apropiadamente, protegido por un interruptor de circuito con pérdida a tierra (GFCI) o dispositivo de corriente residual (RCD). No retire la clavija de conexión a tierra del enchufe. No utilice un adaptador de conexión a tierra.

- Su bañera con superficie de calefacción está equipada con un cable y un enchufe. La fuente de alimentación viene cableada de fábrica. Un electricista calificado debe instalar un tomacorriente conectado a tierra, de 120 V, 15 A y protegido por un interruptor GFCI. Coloque el tomacorriente detrás de la bañera y a no más de 24" (610 mm) de distancia de la fuente de alimentación.
- Enchufe la fuente de alimentación a este tomacorriente.

Pruebe el funcionamiento de la bañera

- Revise todas las conexiones eléctricas y asegúrese de que la bañera esté conectada a la alimentación eléctrica.
- Haga funcionar el teclado para probar los valores de temperatura.
- Para obtener información adicional sobre el funcionamiento de la bañera, consulte la sección "Instrucciones de funcionamiento".



4. Termine la instalación

Modelos de sobreponer:

- Si aplica, con cuidado retire la cinta protectora del borde de la bañera.
- Aplique una tira de sellador de silicona alrededor de todo el borde de la bañera.
- Instale panel de yeso impermeable a la estructura de postes de madera.
- Aplique sellador de silicona para sellar todas las áreas donde la bañera y el panel de yeso hacen contacto.

Modelos de reborde:

- Taladre un pequeño orificio guía a través del reborde de clavado en cada poste de madera. Agregue cuñas para eliminar todas las separaciones.
- Clave listones de enrasar de 1/4" (6 mm) a los postes de madera.
- Utilice clavos galvanizados de cabeza grande para fijar el reborde de clavado a los postes de madera.
- Instale el panel de yeso impermeable, dejando una separación de 1/8" (3 mm) entre el filo de la bañera y el panel de yeso.

Todos los modelos

- Instale el material de acabado de la pared/cubierta dejando a 1/8" (3 mm) del filo de la bañera para crear una ranura para el sellador de silicona.
- Aplique sellador de silicona a la ranura entre el filo de la bañera y la pared/cubierta acabada.
- Instale la guarnición de la grifería.

Instrucciones de funcionamiento

INSTRUCCIONES DE SEGURIDAD

LEA Y SIGA TODAS LAS INSTRUCCIONES

GUARDE ESTAS INSTRUCCIONES

INSTRUCCIONES RELATIVAS A LOS RIESGOS DE INCENDIO, SACUDIDA ELÉCTRICA O LESIONES PERSONALES



ADVERTENCIA: Al usar aparatos eléctricos, siga siempre las precauciones básicas, incluyendo las siguientes:



PELIGRO: Riesgo de lesiones personales o ahogamiento. Para reducir el riesgo de lesiones, no permita que los niños usen este producto sin la estricta supervisión en todo momento.



ADVERTENCIA: Riesgo de lesiones personales. Para evitar lesiones, tenga cuidado al entrar y salir de la bañera.



ADVERTENCIA: Riesgo de descarga eléctrica. No coloque aparatos eléctricos (como secador de pelo, lámparas, teléfono, radio o televisión) a menos de 5' (1,5 m) de esta bañera.



ADVERTENCIA: El uso de alcohol, drogas o medicamentos puede aumentar enormemente el riesgo de sufrir hipertermia fatal. La inmersión prolongada en agua caliente puede producir hipertermia. La hipertermia ocurre cuando la temperatura interna del cuerpo alcanza un nivel superior a la temperatura corporal normal de 98,6°F (37°C). Los síntomas de la hipertermia incluyen el aumento de la temperatura corporal interna, mareos, letargo, somnolencia y desfallecimiento. Los efectos de la hipertermia incluyen: (a) incapacidad para percibir calor, (b) incapacidad para reconocer la necesidad de salir de la bañera, (c) inconsciencia de un peligro inminente, (d) daño al feto en mujeres embarazadas, (e) inhabilidad física para salir de la bañera y (f) pérdida del conocimiento con peligro de ahogarse.



ADVERTENCIA: Riesgo de hipertermia. Las personas bajo tratamiento médico o que padezcan de alguna condición médica deben consultar con un médico antes de utilizar una bañera equipada con un calentador.



ADVERTENCIA: Riesgo de lesiones mortales. Las mujeres embarazadas o que posiblemente estén embarazadas deben consultar a un médico antes de usar la bañera con superficie de calefacción.



ADVERTENCIA: Riesgo de hipertermia o ahogamiento. No utilice la bañera con superficie de calefacción inmediatamente después de hacer ejercicio.



ADVERTENCIA: Riesgo de hipertermia o ahogamiento. Una temperatura del agua superior de los 100°F (38°C) puede causar lesiones. Pruebe y ajuste la temperatura del agua antes de utilizar.

Use esta bañera con calefacción únicamente con el fin para el que se ha fabricado, tal como se describe en esta guía. No use equipos adicionales que no estén recomendados por Kohler Co.

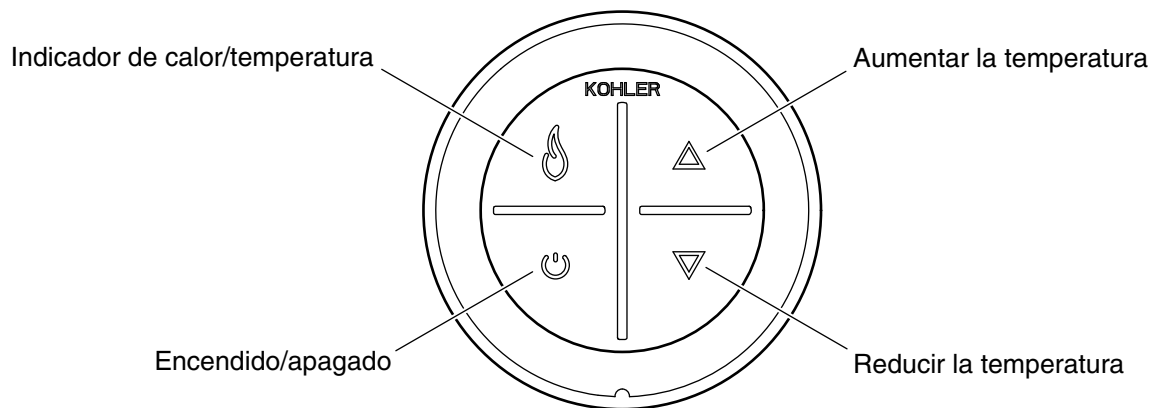
La bañera con calefacción se debe conectar a un circuito protegido por un interruptor de circuito con pérdida a tierra (GFCI)*. El instalador debe suministrar dicho interruptor GFCI, cuyo funcionamiento debe probarse en forma rutinaria. Para probar el GFCI, oprima el botón de prueba. El GFCI debe interrumpir el suministro eléctrico. Oprima el botón de restablecer (reset) la alimentación eléctrica. Esto debe restablecer la alimentación eléctrica. Si el interruptor de protección GFCI no funciona de este modo, significa que está averiado. Si el GFCI interrumpe la alimentación a la bañera sin haber activado el botón de prueba, significa que existe corriente a tierra, indicando la posibilidad de una sacudida eléctrica. No utilice esta bañera con calefacción. Desconecte el calentador, y antes de usar, haga que un representante de servicio calificado solucione el problema.

Su nueva bañera KOHLER está incluida en la lista de Underwriter's Laboratories, asegurando así su

Instrucciones de funcionamiento (cont.)

seguridad y la de su familia. Asimismo, esta bañera cumple con las estrictas normas del ANSI e IAPMO establecidas dentro de la industria de plomería.

* Fuera de los Estados Unidos, este dispositivo se conoce como un dispositivo de corriente residual (RCD, por sus siglas en inglés).



Instrucciones de funcionamiento

Funcionamiento del teclado

- **Icono de encendido** - ENCIENDE y APAGA el calentador.
- **Indicador de calor/temperatura** - El icono [Flama] se ilumina en amarillo, anaranjado o rojo dependiendo del nivel de calor. Amarillo indica calor bajo, anaranjado indica calor medio, y rojo indica calor alto.
- **Flecha hacia arriba** - Aumenta la temperatura.
- **Flecha hacia abajo** - Disminuye la temperatura.

AVISO: El calentador permanecerá encendido hasta que se APAGUE manualmente presionando el icono [Encendido].

NOTA: Después de 60 minutos de inactividad, el calentador se restablece automáticamente a calor bajo si la temperatura se encontraba en media o alta.

NOTA: El calentador se enciende al último valor de temperatura seleccionado.

Códigos de error

- **El indicador de calor parpadea en rojo** - El calentador no está funcionando.
- **El indicador de calor parpadea en amarillo** - El sensor de temperatura no está funcionando o está flojo.
- Consulte la sección "Guía para resolver problemas" para determinar solucionar problemas.

Confirme el funcionamiento del sistema de calefacción

- Oprima el icono [Encendido] en el teclado.
- Observe que el indicador de calor se ponga amarillo y que el calentador produzca calor bajo.
- Oprima la flecha [hacia arriba]. Verifique que el indicador de calor se ponga anaranjado y que la temperatura aumente.
- Oprima la flecha [hacia arriba] por segunda vez. Verifique que el indicador de calor se ponga rojo y que la temperatura aumente.
- Oprima la flecha [hacia abajo]. Verifique que el indicador de calor se ponga anaranjado y que la temperatura disminuya.

Instrucciones de funcionamiento (cont.)

- Oprima la flecha [hacia abajo] por segunda vez. Verifique que el indicador de calor se ponga amarillo y que la temperatura disminuya.
- Oprima el icono [Encendido] para APAGAR el calentador.

Cuidado y limpieza

Para obtener los mejores resultados, tenga presente lo siguiente al limpiar su producto KOHLER:

- Siempre pruebe la solución de limpieza en un área oculta antes de aplicarla a toda la superficie.
- Limpie con un trapo las superficies y enjuague completa e inmediatamente con agua después de aplicar el limpiador. Enjuague y seque las superficies cercanas que se hayan rociado.
- No deje los limpiadores por tiempo prolongado en las superficies.
- Utilice una esponja o trapo suave y húmedo. Para limpiar las superficies, nunca utilice materiales abrasivos como cepillos o estropajos de tallar.

Para obtener información detallada de limpieza y los limpiadores a considerar, visite www.kohler.com/clean. Para solicitar información sobre el cuidado y la limpieza, llame al 1-800-456-4537.

Garantía

GARANTÍA LIMITADA DE UN AÑO

Se garantiza que los productos de plomería KOHLER están libres de defectos de material y mano de obra por un año a partir de la fecha de instalación.

Kohler Co., a su criterio, reparará, reemplazará o realizará los ajustes pertinentes en los casos en que la inspección realizada por Kohler Co. determine que dichos defectos ocurrieron durante el uso normal en el transcurso de un (1) año a partir de la fecha de la instalación. Kohler Co. no se hace responsable de costos de desinstalación o instalación. **El uso de limpiadores de inodoro que se colocan dentro del tanque anulará la garantía.**

Para obtener el servicio de garantía, comuníquese con Kohler Co. a través de su distribuidor, contratista de plomería, centro de remodelación o distribuidor por Internet, o escriba a Kohler Co., Attn.: Customer Care Center, 444 Highland Drive, Kohler, WI 53044, USA, o llame al 1-800-4-KOHLER (1-800-456-4537) desde los EE.UU. y Canadá, y al 001-800-456-4537 desde México, o visite www.kohler.com desde los EE.UU., www.ca.kohler.com desde Canadá, o www.mx.kohler.com en México.

TODA GARANTÍA IMPLÍCITA INCLUYENDO DE COMERCIALIZACIÓN E IDONEIDAD DEL PRODUCTO PARA UN USO DETERMINADO, SE LIMITA EXPRESAMENTE A LA DURACIÓN DE ESTA GARANTÍA. KOHLER CO. Y/O EL VENDEDOR DESCARGAN TODA RESPONSABILIDAD POR CONCEPTO DE DAÑOS PARTICULARES, INCIDENTALES O INDIRECTOS. Algunos estados/provincias no permiten limitaciones en cuanto a la duración de una garantía implícita o a la exclusión o limitación de daños particulares, incidentales o indirectos, por lo que estas limitaciones y exclusiones pueden no aplicar a su caso. Esta garantía le otorga ciertos derechos legales específicos. Además, usted puede tener otros derechos que varían de estado a estado y provincia a provincia.

Ésta es la garantía exclusiva por escrito de Kohler Co.

Garantía

Para México

KOHLER CO.

Se recomienda que al momento de la compra, verifique que todos los accesorios y componentes estén completos en esta caja.

Se garantiza que este producto Kohler está libre de defectos en material y mano de obra por un (1) año a partir de la fecha de compra que aparezca en la factura o recibo.

Garantía (cont.)

1. Kohler Co. prestará servicio únicamente a los productos comercializados a través de sus distribuidores autorizados.
2. Para obtener el servicio de garantía, favor de presentar la factura de compra y la garantía correspondiente.
3. Kohler Co., a través de sus distribuidores autorizados, se compromete a reparar el producto defectuoso o, cuando la reparación no sea posible, reemplazarlo por uno nuevo o un modelo equivalente (en caso de que el producto haya sido descontinuado) sin ningún cargo al consumidor.
4. El tiempo de reparación no excederá de seis (6) semanas a partir de la fecha de recepción del producto.
5. Se recomienda al consumidor que conserve el recibo o factura de compra como protección adicional, pues el mismo puede sustituir a la garantía en caso de que exista discrepancia en cuanto a la validez de la misma.

EXCEPCIONES Y RESTRICCIONES

La garantía no tendrá validez en los siguientes casos:

1. Cuando el producto no se haya utilizado conforme a las instrucciones de uso y funcionamiento incluidas en el manual del usuario o en las instrucciones de instalación y cuando no se hayan observado las recomendaciones y advertencias provistas.
2. Cuando el producto se haya modificado o desmantelado parcial o totalmente; o manipulado de manera negligente y, como consecuencia, haya sufrido daños atribuibles al consumidor, persona o herrajes no autorizados por Kohler Co.
3. Esta garantía no cubre los daños que resulten de desastres naturales, tales como incendios o casos de fuerza mayor, incluyendo inundaciones, terremotos, tormentas eléctricas, etc. Para obtener una lista de distribuidores cerca de usted y así hacer valer sus derechos bajo esta garantía, llame al 001-800-456-4537.

KOHLER CO., KOHLER, WI 53044 U.S.A.

IMPORTADOR:

INTERNACIONAL DE CERÁMICA, S.A.B. DE C.V.

AV. CARLOS PACHECO NO. 7200

CHIHUAHUA, CHIH., MÉXICO C.P. 31060

TEL: 52 (14) 29-11-11

Guía para resolver problemas

Esta sección es sólo para ayuda general. Todos los problemas eléctricos deben ser resueltos por un representante de servicio autorizado de Kohler Co. o un electricista calificado. Para obtener el servicio de garantía, llame 1-800-4KOHLER desde los EE.UU. y Canadá, o al 001-800-456-4537 desde México.

NOTA: El número de modelo del producto se encuentra en el lado del calentador de la bañera.

NOTA: Para información sobre piezas de repuesto, visite la página de su producto en www.kohler.com.

Tabla para resolver problemas

Síntomas	Causa probable	Acción recomendada
1. La bañera con calefacción no se enciende.	<p>A. La fuente de alimentación no recibe alimentación eléctrica.</p> <p>B. El cable del teclado está suelto o dañado.</p> <p>C. El teclado no funciona.</p> <p>D. La fuente de alimentación eléctrica no funciona.</p>	<p>A. Oprima el botón de establecer/restablecer (set/reset) para restablecer el interruptor GFCI o RCD; revise el cableado.</p> <p>B. Revise las conexiones de los cables. De ser necesario, reemplace el cable del teclado.</p> <p>C. Revise las conexiones de los cables. Reemplace el teclado.</p> <p>D. Reemplace la fuente de alimentación eléctrica.</p>

Guía para resolver problemas (cont.)

Tabla para resolver problemas

Síntomas	Causa probable	Acción recomendada
2. La bañera está encendida, pero el calor es muy bajo o no calienta.	<p>A. El cable del calentador está suelto o dañado.</p> <p>B. El calentador/aislamiento está flojo en la bañera.</p> <p>C. El indicador de calor está amarillo o anaranjado.</p> <p>D. El calentador no funciona.</p> <p>E. El sensor de temperatura no funciona.</p>	<p>A. Revise las conexiones de los cables. De ser necesario, reemplace el cable del calentador.</p> <p>B. Fije el calentador/aislamiento a la bañera.</p> <p>C. Oprima la flecha [hacia arriba] para aumentar la temperatura.</p> <p>D. Reemplace el calentador.</p> <p>E. Reemplace el calentador.</p>
3. La temperatura no se restablece automáticamente a baja después de 1 hora.	<p>A. El sensor de temperatura no funciona.</p>	<p>A. Reemplace el calentador y/o el teclado.</p>
4. El indicador de calor parpadea en rojo.	<p>A. Es necesario restablecer el sistema de calefacción.</p> <p>B. El calentador no funciona.</p>	<p>A. Oprima el icono [Encendido] para APAGAR la alimentación eléctrica. Espere 10 segundos, luego vuelva a ENCENDER.</p> <p>B. Reemplace el calentador.</p>
5. El indicador de calor parpadea en amarillo.	<p>A. Es necesario restablecer el sistema de calefacción.</p> <p>B. El sensor de temperatura no funciona.</p>	<p>A. Oprima el icono [Encendido] para APAGAR la alimentación eléctrica. Espere 10 segundos, luego vuelva a ENCENDER.</p> <p>B. Reemplace el calentador.</p>

USA/Canada: 1-800-4KOHLER

México: 001-800-456-4537

kohler.com

THE BOLD LOOK
OF **KOHLER**®

©2012 Kohler Co.

1196030-2-A