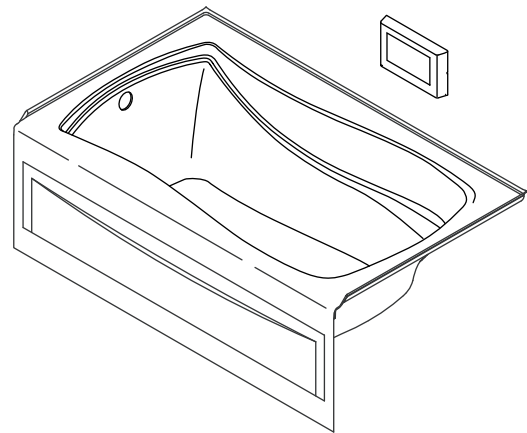


### Features

- Acrylic
- VibrAcoustic technology emits sound waves and offers a surround sound experience
- Six transducers and a control amplifier with 25' (7.6 m) of wiring
- User-friendly high-resolution color touch screen in polished chrome
- Integral apron with removable access panel
- Integral tile flange
- Molded lumbar support and armrests for comfort
- Textured bottom surface
- Alcove installation
- Left or right drain
- 66" (1676 mm) x 36" (914 mm) x 21-1/4" (540 mm)

### 5.5' VIBRACOUSTIC® BATH WITH INTEGRAL APRON K-1224-VBLA ALSO K-1224-VBRA



### Codes/Standards Applicable

Specified model meets or exceeds the following:

- ASTM E162
- ASTM E662
- CSA B45.5/IAPMO Z124
- UL 1795

### Colors/Finishes

- 0: White
- CP: Polished Chrome
- BN: Brushed Nickel
- Other: Refer to Price Book for additional colors/finishes

### Specified Model

Model	Description	Colors/Finishes	
K-1224-VBLA	5.5' VibrAcoustic bath with integral apron, left drain (shown)	<input type="checkbox"/> 0	<input type="checkbox"/> Other_____
K-1224-VBRA	5.5' VibrAcoustic bath with integral apron, right drain	<input type="checkbox"/> 0	<input type="checkbox"/> Other_____

#### Recommended Accessories

K-7161-AF	Pop-up drain – above-the-floor installation <b>OR</b>	<input type="checkbox"/> CP	<input type="checkbox"/> Other_____
K-7213	Cable drain with PVC tee and pipe <b>OR</b>	<input type="checkbox"/> CP	<input type="checkbox"/> Other_____
K-7214	Cable drain without PVC tee and pipe <b>OR</b>	<input type="checkbox"/> CP	<input type="checkbox"/> Other_____
K-7259	Toe-tap drain	<input type="checkbox"/> CP	<input type="checkbox"/> Other_____

#### Optional Accessories

1172315	VibrAcoustic interface mounting plate (non-CP finish) <b>(Continued)</b>	<input type="checkbox"/> BN
---------	--	-----------------------------

### Product Specification

The acrylic VibrAcoustic bath shall be 66" (1676 mm) in length, 36" (914 mm) in width, and 21-1/4" (540 mm) in height. Bath shall be for alcove installation. Bath shall feature VibrAcoustic technology offering a surround sound experience. Bath shall have six transducers and a control amplifier with 25' (7.6 m) of wiring. Bath shall feature user-friendly high-resolution color touch screen in polished chrome. Bath shall have a left or right drain. Bath shall feature an integral apron with removable access panel. Bath shall have an integral tile flange. Bath shall have molded lumbar support and armrests for comfort. Bath shall feature a textured bottom surface. Bath shall be Kohler Model K-1224-\_\_\_\_-\_\_\_\_.

# MARIPOSA®

K-1491	<b>(Continued)</b> Bath pillow	<input type="checkbox"/> 0	<input type="checkbox"/> Other_____
K-1601	Bath footstop	<input type="checkbox"/> 0	<input type="checkbox"/> Other_____
K-1234	5.5' Removable apron	<input type="checkbox"/> 0	<input type="checkbox"/> Other_____

## Technical Information

Fixture*: *Approx. measurements for comparison only.			
Basin area, bottom	48" (1219 mm) x 24" (610 mm)		
Basin area, top	59" (1499 mm) x 30" (762 mm)		
Weight	76 lbs (34.5 kg)		
Water depth	14" (356 mm) to overflow		
Capacity	67 gal (253.6 L) to overflow		
Amplifier/control:	Power per channel	V	Hz
	15 (rms) W	120	50/60z

## Required Electrical Service

Dedicated circuit required, protected with Class A Ground-Fault Circuit-Interrupter (GFCI) or Residual Current Device (RCD): Amplifier/control, 120 V, 15 A, 50/60 Hz

## Installation Notes

Install this product according to the installation guide.

Control amplifier fits 16" (406 mm) center studs.

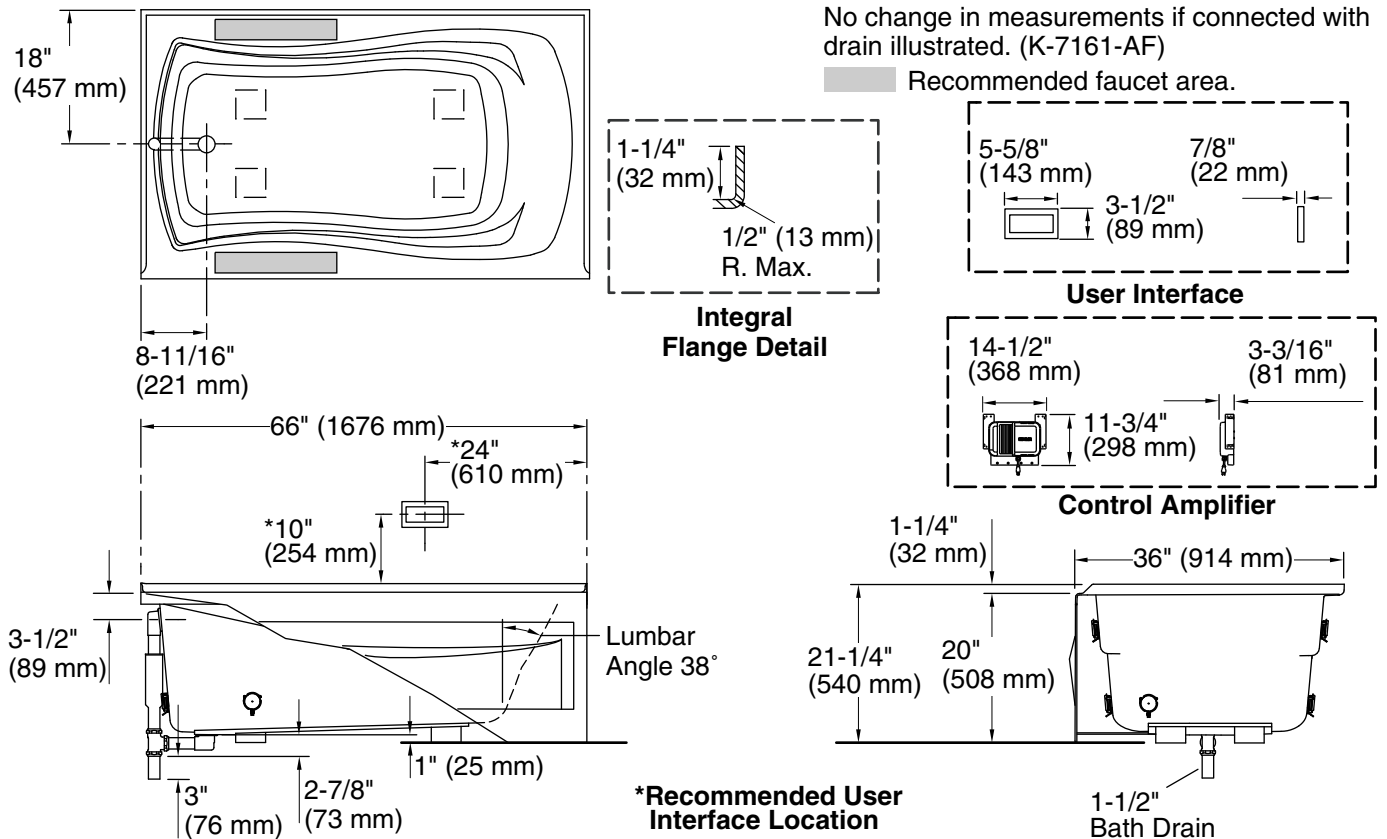
A grounded outlet within the wall framing must be within 24" (610 mm) of the planned control amplifier.

Cables are included, 25' (7.6 m) each.

Floor support under bath must provide for a minimum of 39 lbs/square foot (190.4 kg/square meter) loading.

If installing a rim mount faucet, make sure any plumbing does not interfere with the drain overflow and circulating system before drilling any holes. Consult local and national codes for minimum air gap requirements if installing a spout on the faucet deck.

Ensure that the bath, user interface, amplifier, and transducers are functional before completing the installation.



## Product Diagram