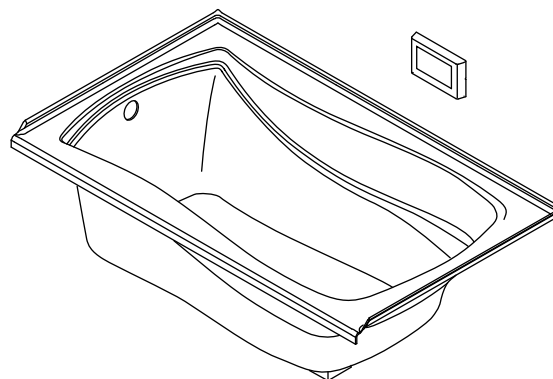


Features

- Acrylic
- VibrAcoustic technology emits sound waves and offers a surround sound experience
- Six transducers and a control amplifier with 25' (7.6 m) of wiring
- User-friendly high-resolution color touch screen in polished chrome
- Molded lumbar support and armrests for comfort
- Textured bottom surface
- Drop-in or alcove installation
- Optional front apron for alcove installation
- 66" (1676 mm) x 35-7/8" (911 mm) x 20" (508 mm) - Drop-in models
- 66" (1676 mm) x 35-7/8" (911 mm) x 21-1/4" (540 mm) - Integral flange models

5.5' VIBRACOUSTIC® BATH K-1224-VB ALSO K-1224-VBL, K-1224-VBR



Codes/Standards Applicable

Specified model meets or exceeds the following:

- CSA B45.5/IAPMO Z124
- ASTM E162
- ASTM E662
- UL 1795

Colors/Finishes

- 0: White
- CP: Polished Chrome
- BN: Brushed Nickel
- Other: Refer to Price Book for additional colors/finishes

Specified Model

Model	Description	Colors/Finishes	
K-1224-VBL	5.5' VibrAcoustic bath with integral flange, left drain (shown)	<input type="checkbox"/> 0	<input type="checkbox"/> Other_____
K-1224-VBR	5.5' VibrAcoustic bath with integral flange, right drain	<input type="checkbox"/> 0	<input type="checkbox"/> Other_____
K-1224-VB	5.5' VibrAcoustic drop-in bath	<input type="checkbox"/> 0	<input type="checkbox"/> Other_____

Recommended Accessories			
K-7161-AF	Pop-up drain – above-the-floor installation OR	<input type="checkbox"/> CP	<input type="checkbox"/> Other_____
K-7213	Cable drain with PVC tee and pipe OR	<input type="checkbox"/> CP	<input type="checkbox"/> Other_____
K-7214	Cable drain without PVC tee and pipe OR	<input type="checkbox"/> CP	<input type="checkbox"/> Other_____
K-7259	Toe-tap drain	<input type="checkbox"/> CP	<input type="checkbox"/> Other_____
1172315	VibrAcoustic interface mounting plate (non-CP finish)		<input type="checkbox"/> BN
K-1234	5.5' Removable apron (Continued)	<input type="checkbox"/> 0	<input type="checkbox"/> Other_____

Product Specification

The acrylic VibrAcoustic bath shall be 66" (1676 mm) in length, 35-7/8" (911 mm) in width, and 20" (508 mm) in height (drop-in models), or 66" (1676 mm) in length, 35-7/8" (911 mm) in width, and 21-1/4" (540 mm) in height (integral flange models). Bath shall be for drop-in or alcove installation. Bath shall feature VibrAcoustic technology offering a surround sound experience. Bath shall have six transducers and a control amplifier with 25' (7.6 m) of wiring. Bath shall feature user-friendly high-resolution color touch screen in polished chrome. Bath shall have molded lumbar support and armrests for comfort. Bath shall have left or right drain. Bath shall feature a textured bottom surface. Bath shall be Kohler Model K-1224-____-____.

MARIPOSA®

K-1491	(Continued) Bath pillow	<input type="checkbox"/> 0	<input type="checkbox"/> Other_____
K-1601	Bath footstop	<input type="checkbox"/> 0	<input type="checkbox"/> Other_____

Technical Information

Fixture*: *Approx. measurements for comparison only.	
Basin area, bottom	48" (1219 mm) x 24" (610 mm)
Basin area, top	59" (1499 mm) x 30" (762 mm)
Weight	76 lbs (34.5 kg)
Water depth	14" (356 mm) to overflow
Capacity	67 gal (253.6 L) to overflow

Amplifier/control:	Power per channel	V	Hz
	15 (rms) W	120	50/60z

Required Electrical Service

Dedicated circuit required, protected with Class A Ground-Fault Circuit-Interrupter (GFCI) or Residual Current Device (RCD): Amplifier/control, 120 V, 15 A, 50/60 Hz

Installation Notes

Install this product according to the installation guide.

Drop-in cutout: 64" (1626 mm) x 34" (864 mm)

Control amplifier fits 16" (406 mm) center studs. A grounded outlet within the wall framing must be within 24" (610 mm) of the planned control amplifier.

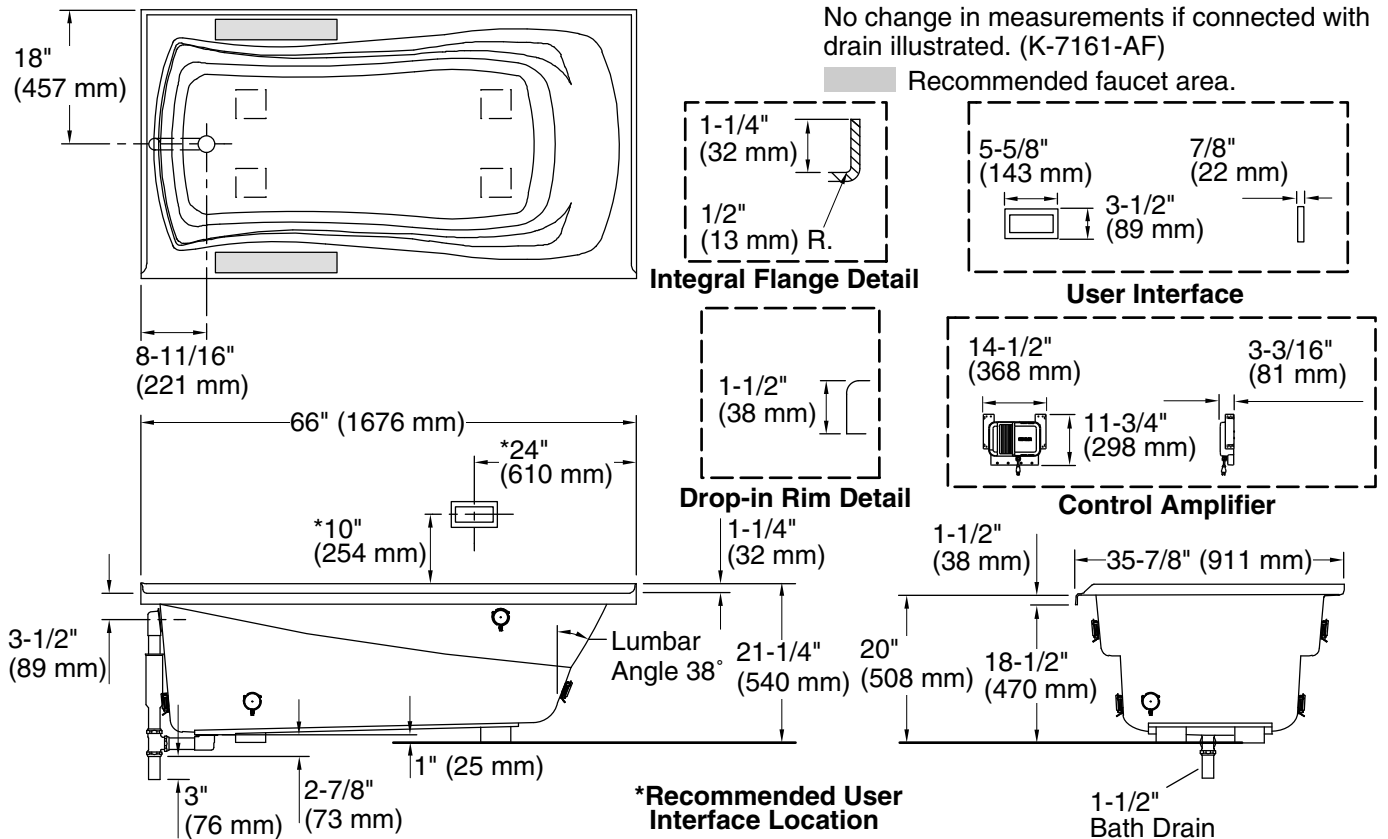
Cables are included, 25' (7.6 m) each.

Floor support under bath must provide for a minimum of 40.2 lbs/square foot (196.3 kg/square meter) loading.

If installing a rim mount faucet, make sure any plumbing does not interfere with the drain overflow and circulating system before drilling any holes. Consult local and national codes for minimum air gap requirements if installing a spout on the faucet deck.

Ensure that the bath, user interface, amplifier, and transducers are functional before completing the installation.

The apron must be installed before the finished floor and wall materials are installed.



Product Diagram