

### Product Information

Applicable product:	
Bath – drop-in	K-1165-S1
Fixture*:	
Bathing well:	
Basin area, bottom	55-1/4" (1403 mm) x 23-1/2" (597 mm)
Basin area, top	64-1/2" (1638 mm) x 32 (813 mm)
Weight	75 lbs (34 kg)
To overflow:	
Water depth	15" (381 mm)
Capacity	75 gal (284 L)
* Approximate measurements for comparison only.	
Included components:	
Cut-out template	1042557-7

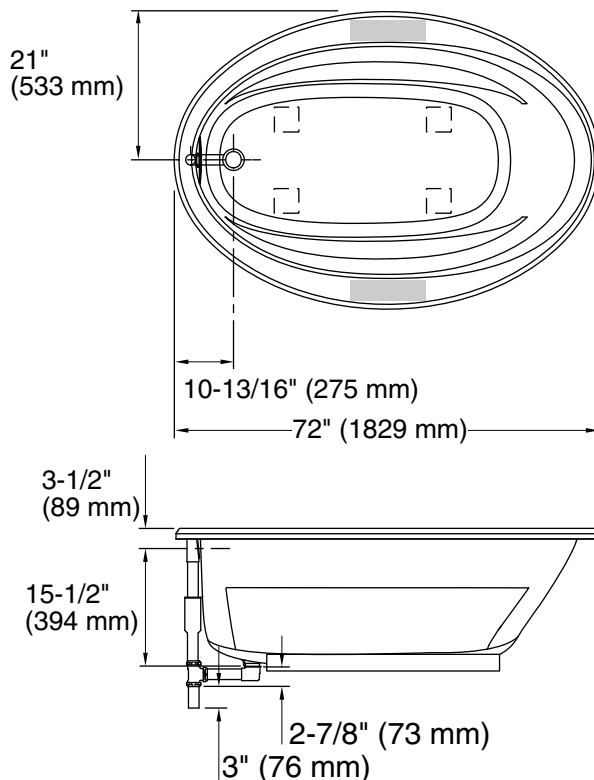
### Installation Notes

Install this product according to the installation guide.

Floor support under bath must provide for a minimum of 35 lbs/square foot (168.8 kg/square meter) loading.

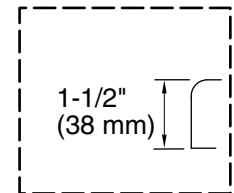
No change in measurements if connected with drain illustrated.

Fixture conforms to CSA B45.5/IAPMO Z124. All dimensions are nominal.



No change in measurements if connected with drain illustrated. (K-11677)

Recommended faucet area



Drop-In Rim Detail

