

Features

- Acrylic
- Alcove installation
- Integral apron with removable access panel
- Integral tile flange
- Left or right drain
- Bask heated lumbar support with three temperature settings
- Textured bottom surface
- 60" (1524 mm) x 32" (813 mm) x 21-1/4" (540 mm)

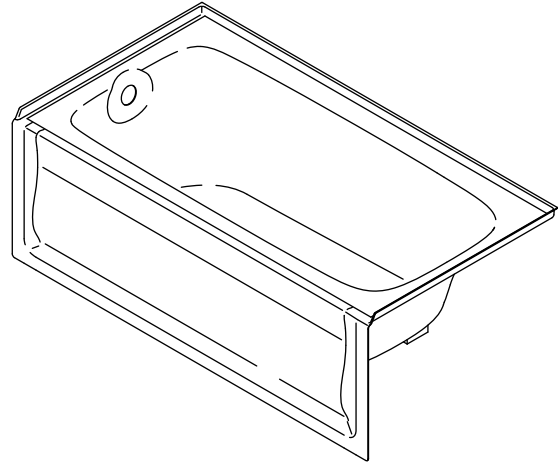
Codes/Standards Applicable

Specified model meets or exceeds the following:

- CSA B45.5/IAPMO Z124
- ASTM E162
- ASTM E662
- UL 1795

APRON BATH WITH BASK™ HEATED SURFACE

K-1150-LAW ALSO K-1150-RAW



Colors/Finishes

- 0: White
- Other: Refer to Price Book for additional colors/finishes

Accessories

- CP: Polished Chrome
- PB: Vibrant® Polished Brass
- Other: Refer to Price Book for additional colors/finishes

Specified Model

Model	Description	Colors/Finishes	
K-1150-LAW	Apron bath with Bask heated surface, left drain (shown)	<input type="checkbox"/> 0	<input type="checkbox"/> Other_____
K-1150-RAW	Apron bath with Bask heated surface, right drain	<input type="checkbox"/> 0	<input type="checkbox"/> Other_____

Recommended Accessories

K-7259	Clearflo toe-tap drain OR	<input type="checkbox"/> CP	<input type="checkbox"/> Other_____
K-11677	Swiftflo™ adjustable trip lever drain	<input type="checkbox"/> CP	<input type="checkbox"/> PB

Optional Accessories

K-1491	Bath Pillow	<input type="checkbox"/> 0	<input type="checkbox"/> Other_____
K-1601	Bath Footstop	<input type="checkbox"/> 0	<input type="checkbox"/> Other_____

Product Specification

The acrylic bath shall be 60" (1524 mm) in length, 32" (813 mm) in width, and 21-1/4" (540 mm) in height. Bath shall be for alcove installation. Bath shall feature an integral tile flange and integral apron with removable access panel. Bath shall feature Bask heated lumbar support with three temperature settings. Bath shall have a left or right drain. Bath shall feature a textured bottom surface. Bath shall be Kohler Model K-1150-_____-_____.

BANCROFT®

Technical Information

Fixture:*				
Bathing well:				
Basin area, bottom	45" (1143 mm) x 22" (559 mm)			
Basin area, top	54" (1372 mm) x 25" (635 mm)			
Weight	80 lbs (36.3 kg)			
To overflow:				
Water depth	15" (381 mm)			
Capacity	60 gal (227.1 L)			
* Approximate measurements for comparison only.				
Heater:	W	V	HZ	A
	65	120	60	.5

Installation Notes

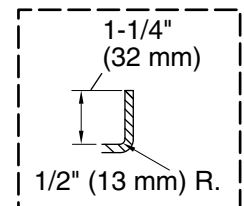
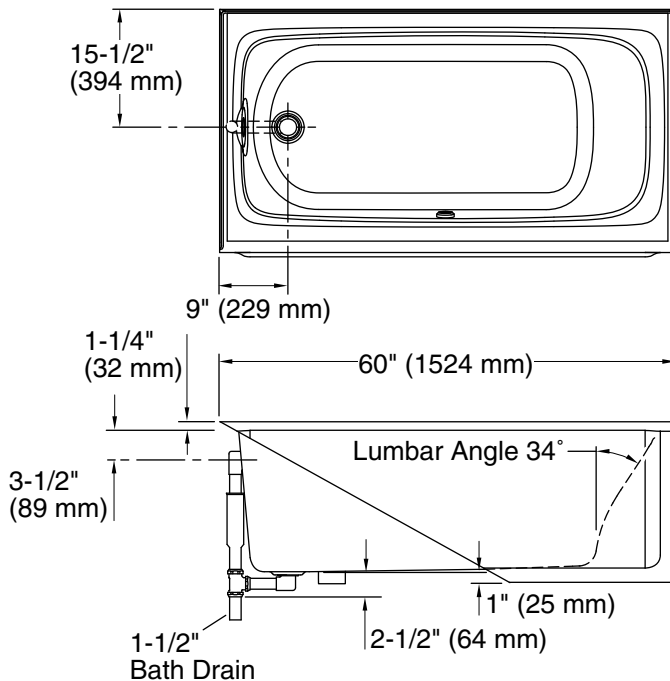
Install this product according to the installation guide.

Locate a GFCI-protected 120 V, 15 A, grounded electrical outlet within 24" (610 mm) of the bath junction box.

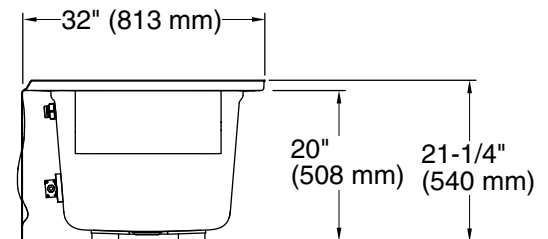
40" (1016 mm) cable is included.

Unless otherwise specified, floor support under the bath must provide for a minimum of 45 lbs/square foot (222 kg/square meter) loading.

No change in measurements if connected with drain illustrated. (K-11677)



Integral Flange Detail



Product Diagram