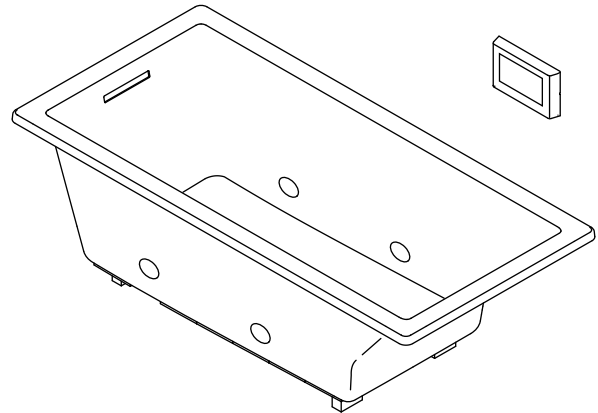


Features

- Acrylic
- Intuitive high-clarity color touch-screen user interface
- 6 transducers and control amplifier create 3-D surround sound experience
- Under-mount/drop-in style installation
- 18" (457 mm) deep bathing well
- Available with chromatherapy [-VBC]
- Chromatherapy model is equipped with 4 lights
- User interface mounting plate is included in color CP
- 66" (1676 mm) x 32" (813 mm) x 22" (559 mm)

5.5' VIBRACOUSTIC BATH K-1822-VB ALSO K-1822-VBC



Codes/Standards Applicable

Specified model meets or exceeds the following:

- CSA B45.5/IAPMO Z124
- CAN/CSA C22.2 No. 218.2
- UL 1795

Colors/Finishes

- 0: White
- CP: Polished Chrome
- BN: Brushed Nickel
- NA: None applicable
- Other: Refer to Price Book for additional colors/finishes

Specified Model

Model	Description	Colors/Finishes	
K-1822-VB	5.5' VibrAcoustic bath	<input type="checkbox"/> 0	<input type="checkbox"/> Other_____
K-1822-VBC	5.5' VibrAcoustic bath with chromatherapy (shown)	<input type="checkbox"/> 0	<input type="checkbox"/> Other_____

Required Accessories

K-7271	Clearflo slotted overflow brass bath drain OR	<input type="checkbox"/> CP	<input type="checkbox"/> Other_____
K-7272	Clearflo slotted overflow bath drain – PVC pipe	<input type="checkbox"/> CP	<input type="checkbox"/> Other_____

Optional Accessories

K-550	Under-mount kit		<input type="checkbox"/> NA	
K-1491	Pillow	<input type="checkbox"/> 0		<input type="checkbox"/> Other_____
K-1601	Footstop	<input type="checkbox"/> 0		<input type="checkbox"/> Other_____
1172315	VibrAcoustic interface mounting plate		<input type="checkbox"/> BN	

Product Specification

The acrylic vibracoustic bath shall be 66" (1676 mm) in length, 32" (813 mm) in width, and 22" (559 mm) in height. Bath shall feature intuitive high-clarity color touch-screen user interface and 6 transducers and control amplifier, which create 3-D surround sound experience. Bath shall be available with chromatherapy [-VBC], which is equipped with 4 lights. Bath shall be available with under-mount or drop-in style installation. Bath shall have an 18" (457 mm) deep bathing well. The user interface mounting plate shall be included in color CP. Bath shall be Kohler Model K-1822-____-____.

UNDERScore®

Technical Information

Fixture*:	
Bathing well:	
Basin area, bottom	44-1/2" (1130 mm) x 22-5/16" (567 mm)
Basin area, top	59-5/8" (1514 mm) x 25-1/2" (648 mm)
Weight	91 lbs (41.3 kg)
To overflow:	
Water depth	18" (457 mm)
Capacity	85.8 gal (325 L)
* Approximate measurements for comparison only.	
Drop-in cut-out	64-1/2" (1638 mm) x 30-1/2" (775 mm)
Amplifier/control:	Power per channel (rms) W V Hz
	15 120 50/60

Required Electrical Service

Dedicated circuit required, protected with Class A Ground-Fault Circuit-Interrupter (GFCI) or Residual Current Device (RCD):

Amplifier/control: 120 V, 15 A, 50/60 Hz

Installation Notes

Install this product according to the installation guide.

The bath is intended for under-mount/drop-in installation.

Control amplifier fits 16" (406 mm) center studs.

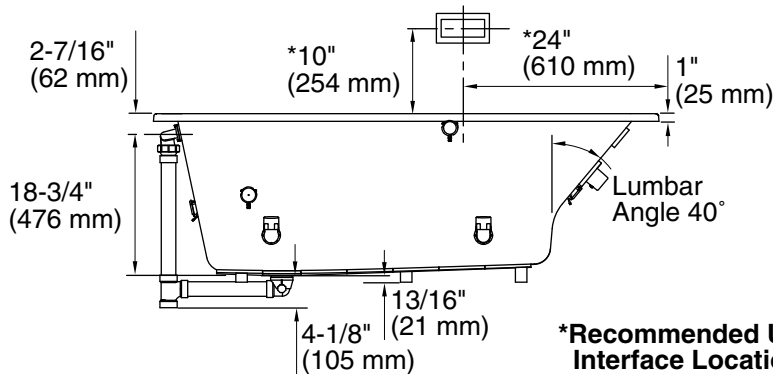
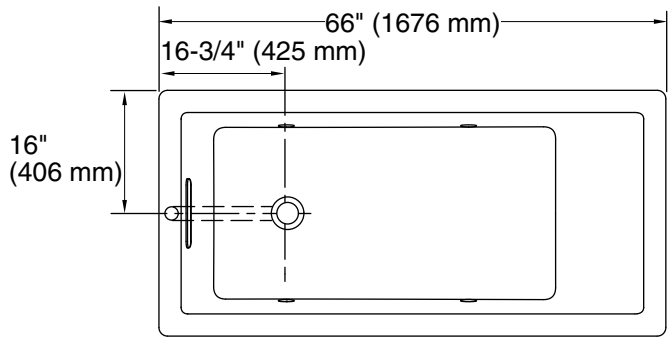
A grounded outlet within the wall framing must be within 24" (610 mm) of the planned control amplifier.

Cables are included, 25' (7.6 m) each.

Hot water supply should be 70% of capacity or greater. Installations will vary.

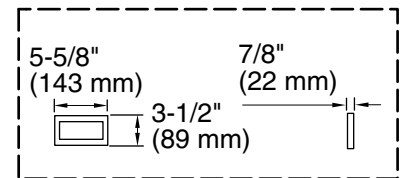
Floor support under bath must provide for a minimum of 56.7 lbs/square foot (277 kg/square meter) loading.

Ensure the bath, user interface, amplifier, and transducers are functional before completing the installation.

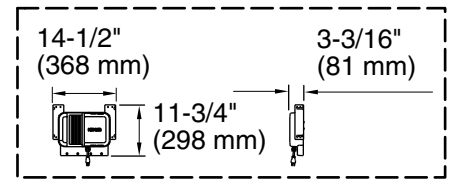


*Recommended User Interface Location

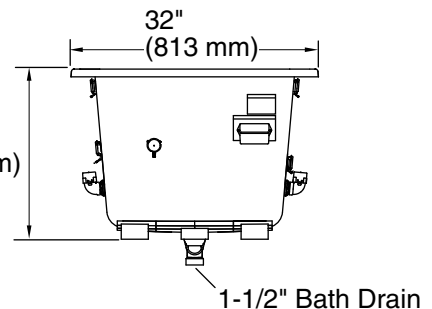
No change in measurement if connected with drain illustrated. (K-7272)



User Interface



Control Amplifier



Product Diagram