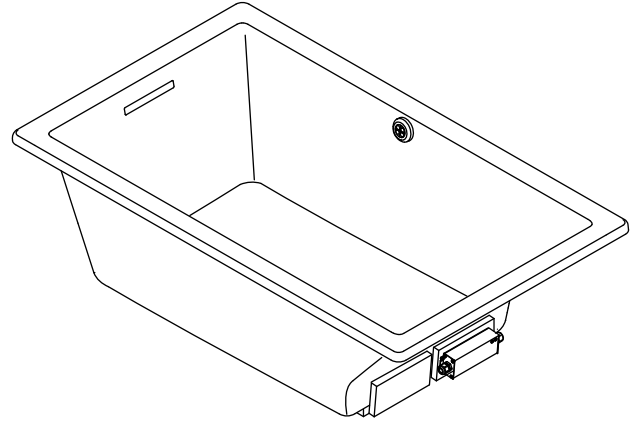


Features

- Acrylic
- Drop-in installation
- Molded heated lumbar support
- Three temperature settings
- 60" (1524 mm) x 36" (914 mm) x 21" (533 mm)

5' DROP-IN BATH WITH BASK™ HEATED SURFACE K-1848-W1



Codes/Standards Applicable

Specified model meets or exceeds the following:

- ASTM E162
- ASTM E662
- CSA B45.5/IAPMO Z124
- ASME A112.19.7
- UL 1795

Colors/Finishes

- 0: White
- Other: Refer to Price Book for additional colors/finishes

Accessories

- 0: White
- CP: Polished Chrome
- NA: None applicable
- Other: Refer to Price Book for additional colors/finishes

Specified Model

Model	Description	Colors/Finishes	
K-1848-W1	5' drop-in bath with Bask heated surface	<input type="checkbox"/> 0	<input type="checkbox"/> Other_____
Required Accessories			
K-7271	Clearflo slotted overflow brass bath drain OR	<input type="checkbox"/> CP	<input type="checkbox"/> Other_____
K-7272	Clearflo slotted overflow bath drain – PVC pipe	<input type="checkbox"/> CP	<input type="checkbox"/> Other_____
Optional Accessories			
K-534	Under-mount kit		<input type="checkbox"/> NA
K-1491	Pillow	<input type="checkbox"/> 0	<input type="checkbox"/> Other_____
K-1601	Footstop	<input type="checkbox"/> 0	<input type="checkbox"/> Other_____

Product Specification

The acrylic bath with heated surface shall be 60" (1524 mm) in length, 36" (914 mm) in width, and 21" (533 mm) in height. Bath shall be for drop-in installation. Bath shall have molded heated lumbar support. Bath shall have three temperature settings. Bath shall be Kohler Model K-1848-W1-_____.

UNDERScore®

Technical Information

Fixture*:				
Bathing well:				
Basin area, bottom	39-9/16" (1005 mm) x 24-11/16" (627 mm)			
Basin area, top	53-5/8" (1362 mm) x 29-1/2" (749 mm)			
Weight	75 lbs (34 kg)			
To overflow:				
Water depth	17-1/8" (435 mm)			
Capacity	81.1 gal (307 L)			
* Approximate measurements for comparison only.				
Drop-in cut-out		59-1/2" (1511 mm) x 35-1/2" (902 mm)		
Heater:	W	V	HZ	A
	65	120	60	1.1

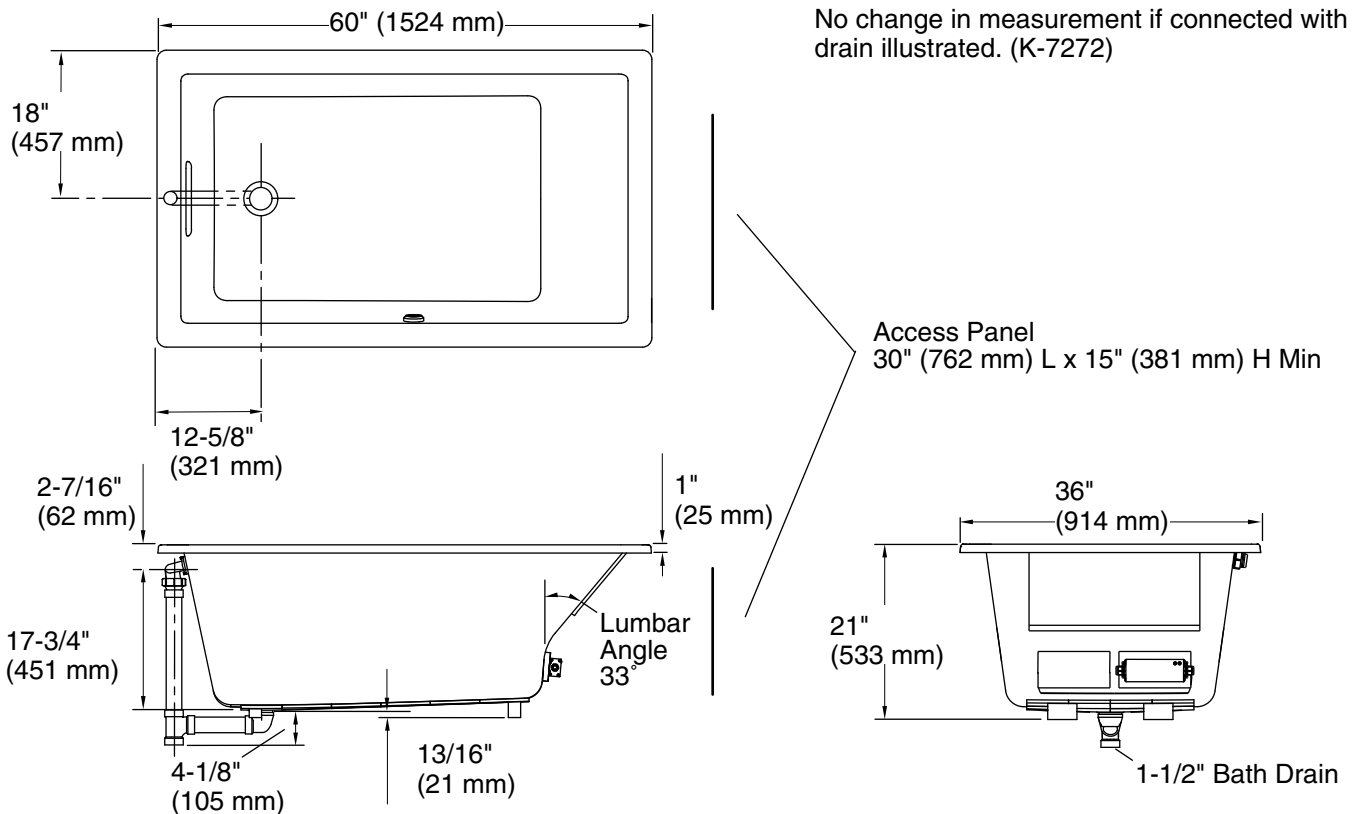
Installation Notes

Install this product according to the installation guide.

Locate the bath within 24" (610 mm) of a GFCI-protected, 120 V, 15 A, grounded electrical outlet.

Floor support under bath must provide for a minimum of 52 lbs/square foot (230 kg/square meter) loading.

Hot water supply should be 70% of capacity or greater. Installations will vary.



Product Diagram