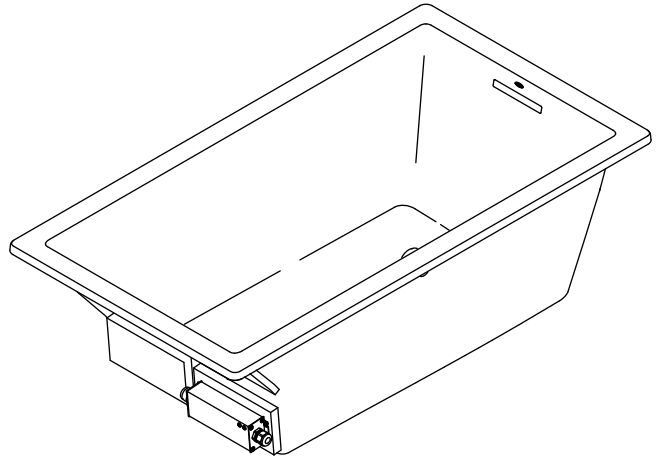


Features

- Acrylic
- Drop-in installation
- Molded heated lumbar support
- Three temperature settings
- 60" (1524 mm) x 32" (813 mm) x 21" (533 mm)

5' DROP-IN BATH WITH BASK™ HEATED SURFACE K-1130-W1



Codes/Standards Applicable

Specified model meets or exceeds the following:

- ASTM E162
- ASTM E662
- CSA B45.5/IAPMO Z124
- ASME A112.19.7
- UL 1795

Colors/Finishes

- 0: White
- Other: Refer to Price Book for additional colors/finishes

Accessories

- CP: Polished Chrome
- Other: Refer to Price Book for additional colors/finishes
- NA: None applicable

Specified Model

Model	Description	Colors/Finishes	
K-1130-W1	5' drop-in bath with Bask heated surface	<input type="checkbox"/> 0	<input type="checkbox"/> Other_____
Required Accessories			
K-7271	Clearflo slotted overflow brass bath drain OR	<input type="checkbox"/> CP	<input type="checkbox"/> Other_____
K-7272	Clearflo slotted overflow bath drain – PVC pipe	<input type="checkbox"/> CP	<input type="checkbox"/> Other_____
Optional Accessories			
K-590	Under-mount kit	<input type="checkbox"/> NA	

Product Specification

The acrylic bath with heated surface shall be 60" (1524 mm) in length, 32" (813 mm) in width, and 21" (533 mm) in height. Bath shall be for drop-in installation. Bath shall have three temperature settings. Bath shall have molded heated lumbar support. Bath shall be Kohler Model K-1130-W1-_____.

UNDERScore®

Technical Information

Fixture*:				
Bathing well:				
Basin area, bottom	42" (1067 mm) x 23-1/2" (597 mm)			
Basin area, top	55-1/8" (1400 mm) x 27-1/8" (689 mm)			
Weight	75 lbs (34 kg)			
To overflow:				
Water depth	17-1/8" (435 mm)			
Capacity	81 gal (306.6 L)			
* Approximate measurements for comparison only.				
Drop-in cut-out	59-1/2" (1511 mm) x 31-1/2" (800 mm)			
Heater:	W	V	HZ	A
	65	120	60	1.1

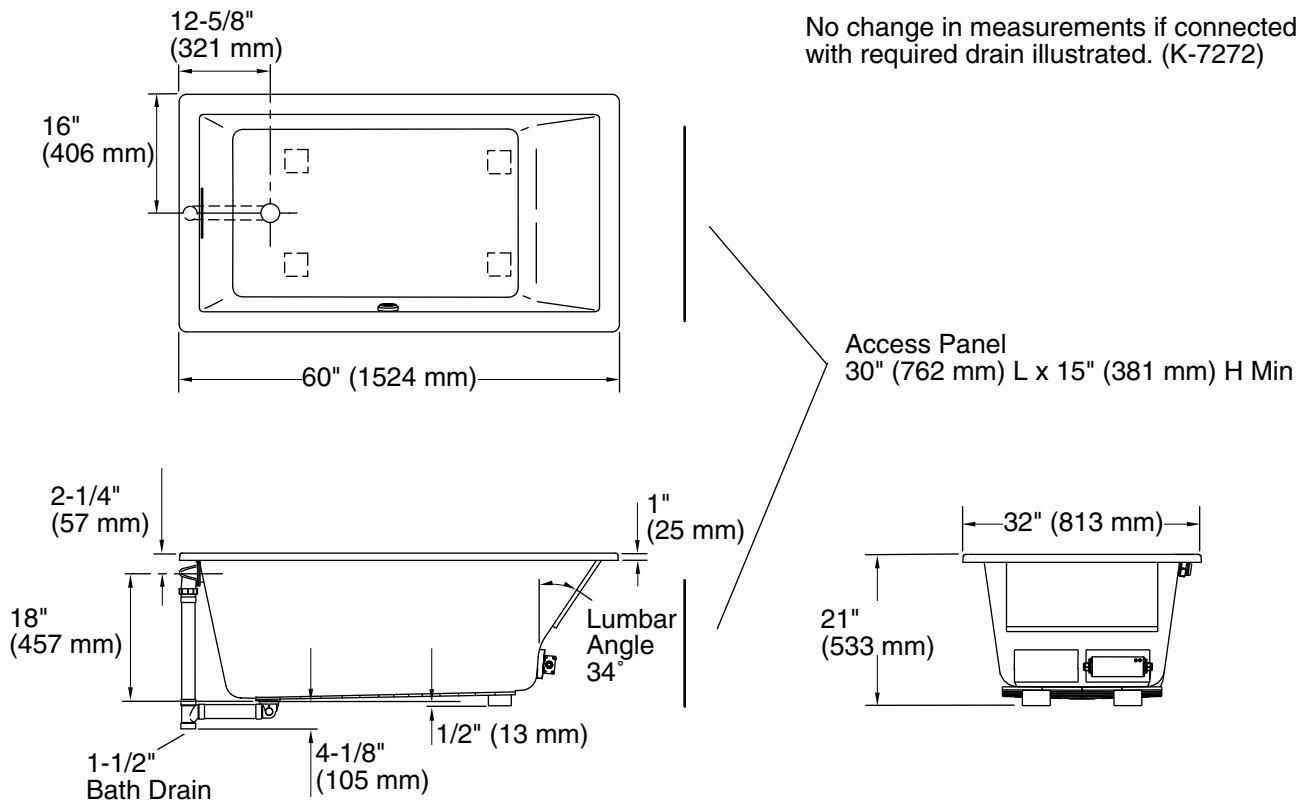
Installation Notes

Install this product according to the installation guide.

Locate the bath within 24" (610 mm) of a GFCI-protected, 120 V, 15 A, grounded electrical outlet.

Floor support under bath must provide for a minimum of 58 lbs/square foot (284 kg/square meter) loading.

The hot water supply should be 70% of the capacity of the bath or greater. Installations will vary.



Product Diagram