

Features

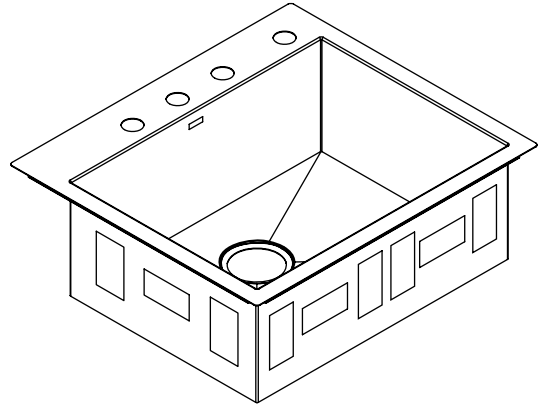
- 18-gauge stainless steel
- Self-rimming or undercounter
- Includes installation hardware
- Small single basin
- 25" (63.5 cm) x 22" (55.9 cm)

Codes/Standards Applicable

Specified model meets or exceeds the following:

- ASME A112.19.3/CSA B45.4

SELF-RIMMING/UNDERCOUNTER KITCHEN SINK K-3822



Colors/Finishes

- NA: None applicable

Accessories

- CP: Polished Chrome
- NA: None applicable
- Other: Refer to Price Book for additional colors/finishes

Specified Model

Model	Description	Colors/Finishes
K-3822-1	Self-rimming/Undercounter kitchen sink – single-hole	<input type="checkbox"/> NA
K-3822-3	Self-rimming/Undercounter kitchen sink – 3-hole	<input type="checkbox"/> NA
K-3822-4	Self-rimming/Undercounter kitchen sink – 4-hole	<input type="checkbox"/> NA

Optional Accessories				
K-8801	Duostrainer® sink strainer		<input type="checkbox"/> CP	<input type="checkbox"/> Other_____
1131881	Hardware kit for countertops with a 2-1/2" (6.4 cm) thickness or less	<input type="checkbox"/> NA		

Product Specification

The sink shall be 25" (63.5 cm) in length, 22" (55.9 cm) in width. Sink shall be made of 18-gauge stainless steel. Sink shall be undercounter or self-rimming. Sink shall have a small single basin. Sink shall include installation hardware. Sink shall be Kohler Model K-3822-NA.

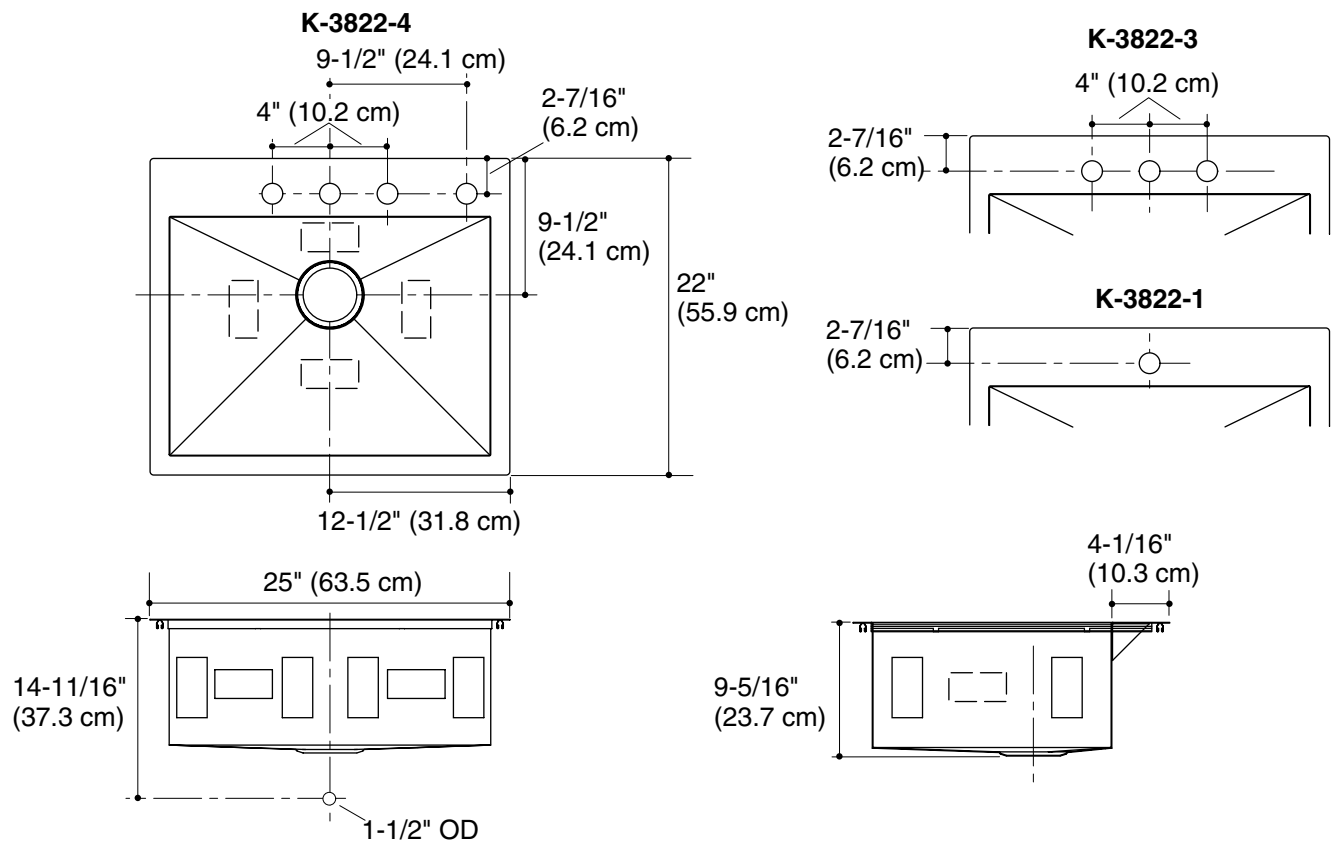
Technical Information

Fixture*:	
Basin area	22-1/4" (56.5 cm) x 16-9/16" (42.1 cm)
Water depth	9" (22.9 cm)
Drain hole	3-5/8" (9.2 cm) D.
* Approximate measurements for comparison only.	

Included components:	
Hardware kit – self-rimming	1130570
Cut-out template	1130822

Installation Notes

Install this product according to the installation guide.



Product Diagram

TRANSITIONAL DESIGN

**SOAP/LOTION DISPENSER
K-1893**

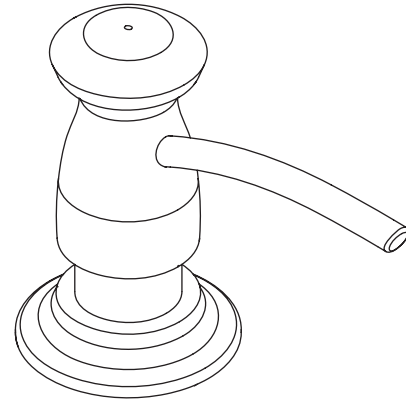
Features

- Brass construction
- Intended for kitchen sink and bathroom lavatory installations
- Refillable from the top side
- 16 fluid ounce (.5 L) capacity
- 3-5/16" (8.4 cm) high pump
- 3-3/8" (8.6 cm) long spout

Codes/Standards Applicable

Specified model meets or exceeds the following:

- None applicable



Colors/Finishes

- CP: Polished Chrome
- Other: Refer to Price Book for additional colors/finishes

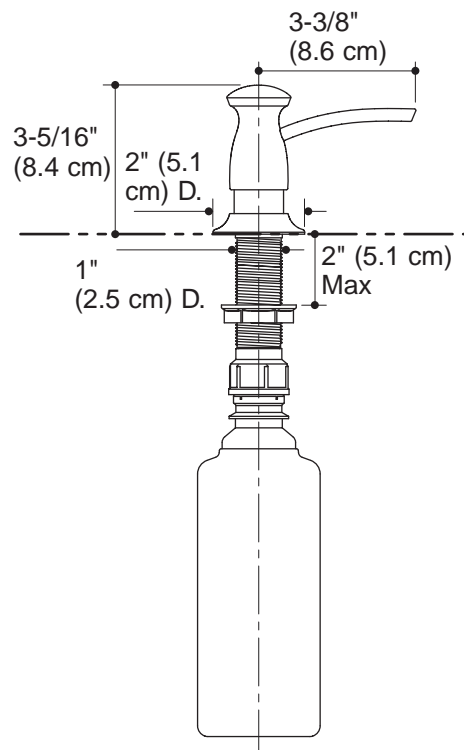
Specified Model:

Model	Description	Colors/Finishes
K-1893	Soap/lotion dispenser - transitional design	<input type="checkbox"/> CP <input type="checkbox"/> Other ____

PRODUCT SPECIFICATION

Transitional design soap/lotion dispenser shall be of brass construction. Product shall feature 3-5/16" (8.4 cm) high pump, 3-3/8" (8.6 cm) long spout, and is refillable from the top side. Product is intended for kitchen sink and bathroom lavatory installations and has a 16 fluid ounce (.5 L) capacity. Soap/lotion dispenser shall be Kohler Model K-1893-____.

TRANSITIONAL DESIGN



Product Diagram

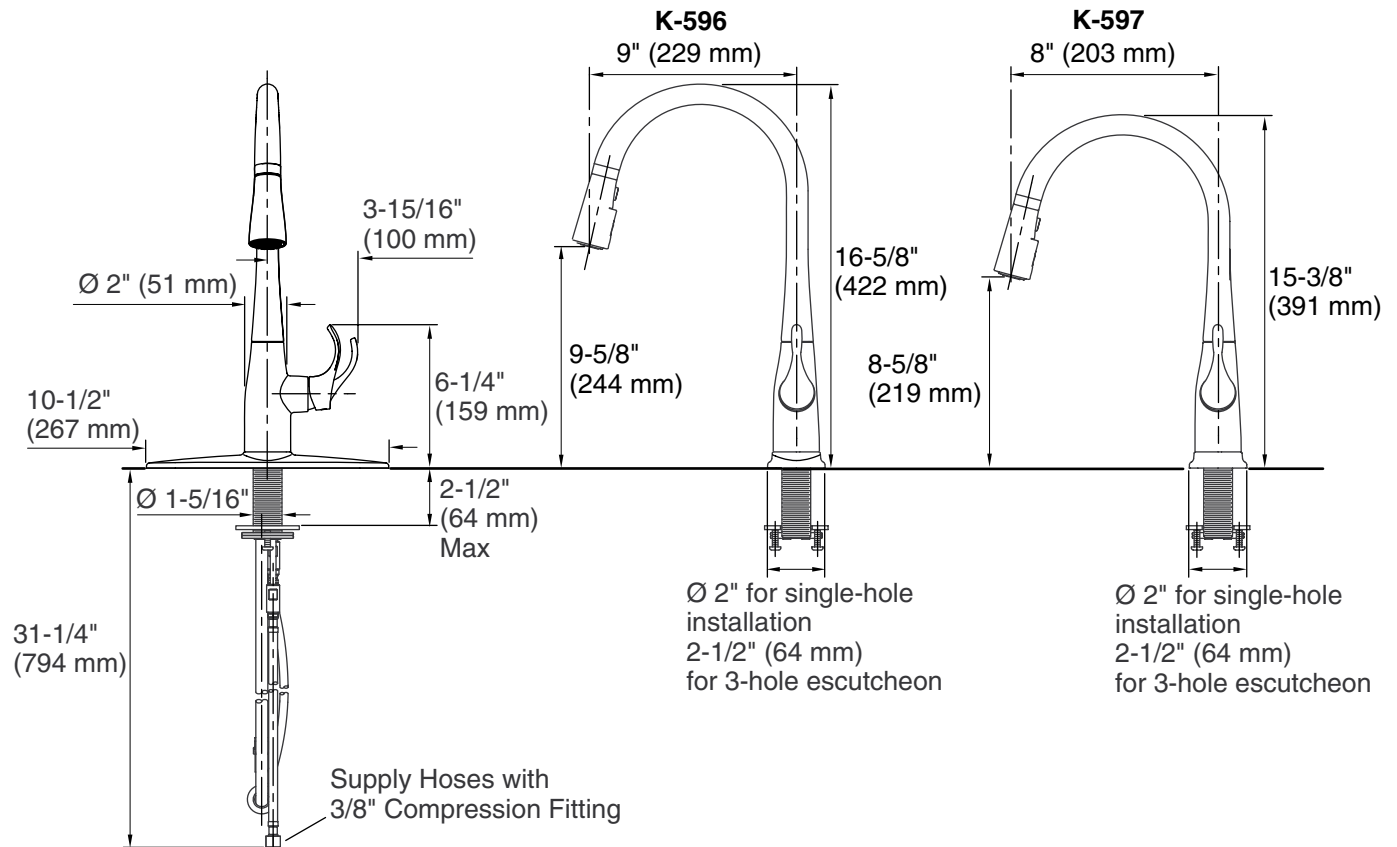
Product Information

Applicable product:	
Pull-down kitchen sink faucet – 9" (229 mm) swing spout reach	K-596
Pull-down kitchen sink faucet – 8" (203 mm) swing spout reach	K-597
Lever handle is ADA, CSA B651, OBC compliant.	
Optional accessories:	
Deep roughing-in kit – provides an additional 2" (51 mm) assembly depth	1012715
Low flow kit – reduces maximum flow to 1.5 gpm (5.7 L) at 60 psi (4.1 bar)	1167289
High flow kit – increases maximum flow to 2.2 gpm (8.3 L) at 60 psi (4.1 bar)	1167290

Installation Notes

Install this product according to the installation guide.

ADA, CSA B651, OBC compliant when installed to the specific requirements of these regulations.

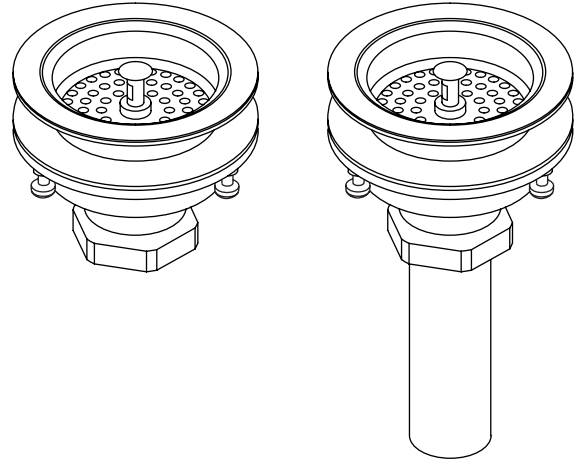


DUOSTRAINER®

Features

- Brass construction
- For sink installations with 3-1/2" (8.9 cm) or 4" (10.2 cm) outlet
- Removable basket strainer with open/close stopper
- 1-1/2" connection

**SINK STRAINER
K-8801
ALSO K-8799**



Codes/Standards Applicable

Specified model meets or exceeds the following:

- ASME A112.18.1
- CSA B125
- IAPMO/UPC

Colors/Finishes

- CP: Polished Chrome
- PB: Polished Brass
- Other: Refer to Price Book for additional colors/finishes

Specified Model:

Model	Description	Colors/Finishes		
		<input type="checkbox"/> CP	<input type="checkbox"/> PB	<input type="checkbox"/> Other _____
K-8799	Sink strainer less tailpiece	<input type="checkbox"/> CP	<input type="checkbox"/> PB	
K-8801	Sink strainer with tailpiece	<input type="checkbox"/> CP	<input type="checkbox"/> PB	<input type="checkbox"/> Other _____

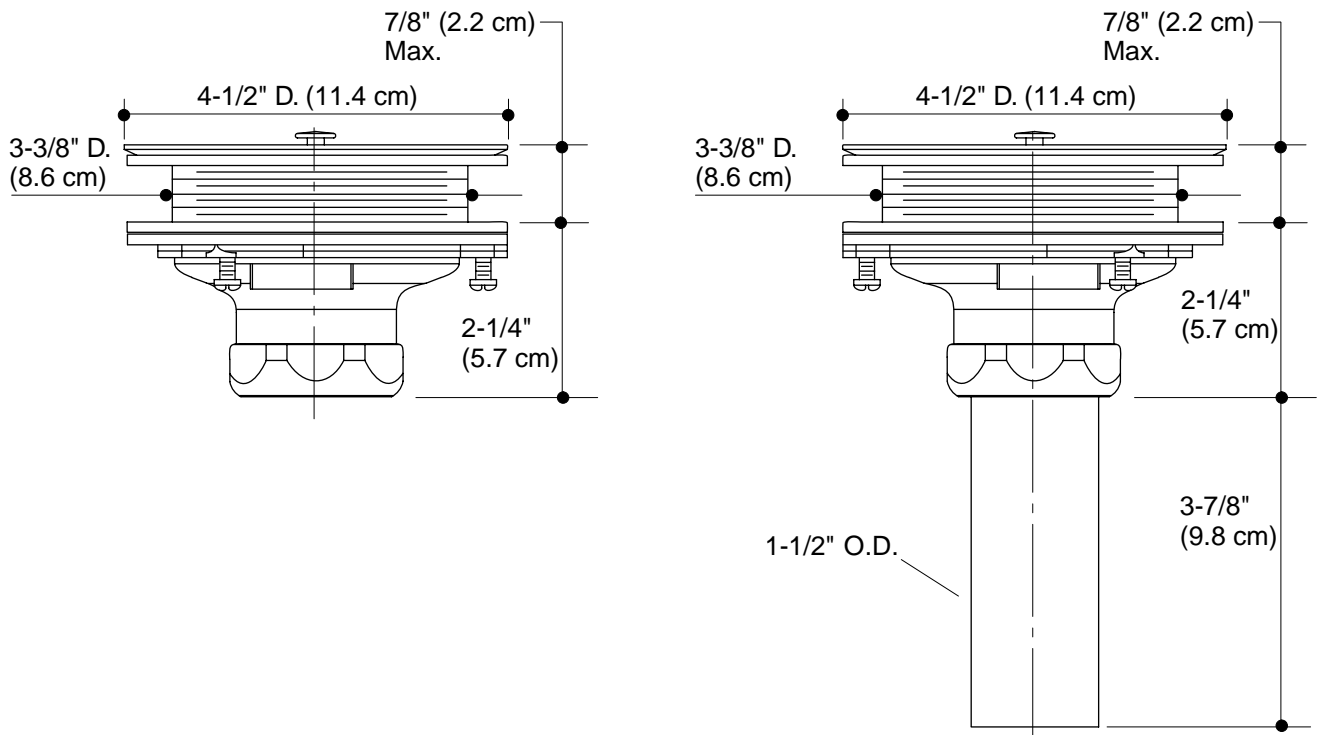
PRODUCT SPECIFICATION

Duostrainer sink strainer shall be of brass construction. Product shall feature removable basket strainer with an open/close stopper, and 1-1/2" connection. Product is intended for sink installations with 3-1/2" (8.9 cm) or 4" (10.2 cm) outlet. Optional feature shall be a brass tailpiece. Strainer shall be Kohler Model K-_____-_____.

DUOSTRAINER®

Installation Notes

Install this product in accordance with the installation instructions.



Product Diagram