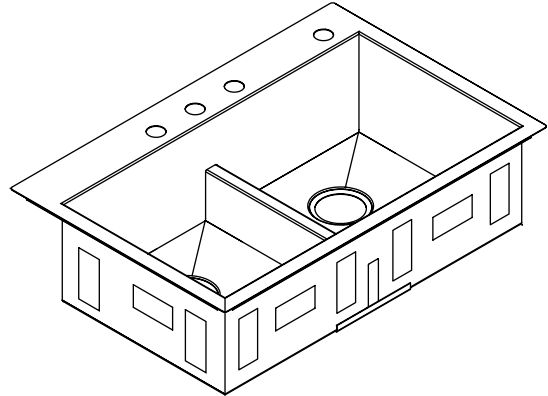


### Features

- 18-gauge stainless steel
- Self-rimming or undercounter
- Double (equal) compartment
- Smart Divide™ lowered divider
- Includes bottom basin rack (quantity of one)
- Includes installation hardware
- 33" (83.8 cm) x 22" (55.9 cm)

### SELF-RIMMING/UNDERCOUNTER KITCHEN SINK K-3838



### Codes/Standards Applicable

Specified model meets or exceeds the following:

- ASME A112.19.3/CSA B45.4

### Colors/Finishes

- NA: None applicable

### Accessories

- CP: Polished Chrome
- ST: Stainless Steel
- NA: None applicable
- Other: Refer to Price Book for additional colors/finishes

### Specified Model

Model	Description	Colors/Finishes
K-3838-1	Self-rimming/Undercounter kitchen sink – single-hole	<input type="checkbox"/> NA
K-3838-3	Self-rimming/Undercounter kitchen sink – 3-hole	<input type="checkbox"/> NA
K-3838-4	Self-rimming/Undercounter kitchen sink – 4-hole	<input type="checkbox"/> NA

Included Accessories		
K-6641	Bottom basin rack (fits both left and right basins, QTY = 1)	<input type="checkbox"/> ST

Optional Accessories			
K-8801	Duostrainer® sink strainer	<input type="checkbox"/> CP	<input type="checkbox"/> Other_____
1131881	Hardware kit for countertops with a 2-1/2" (6.4 cm) thickness or less		<input type="checkbox"/> NA

### Product Specification

The undercounter or self-rimming kitchen sink shall be made of 18-gauge stainless steel. Sink shall feature double equal compartments and Smart Divide lowered divider. Sink shall include one bottom basin rack and installation hardware. Sink shall be 33" (83.8 cm) in length, 22" (55.9 cm) in width. Sink shall be Kohler Model K-3838-\_\_\_\_-NA.

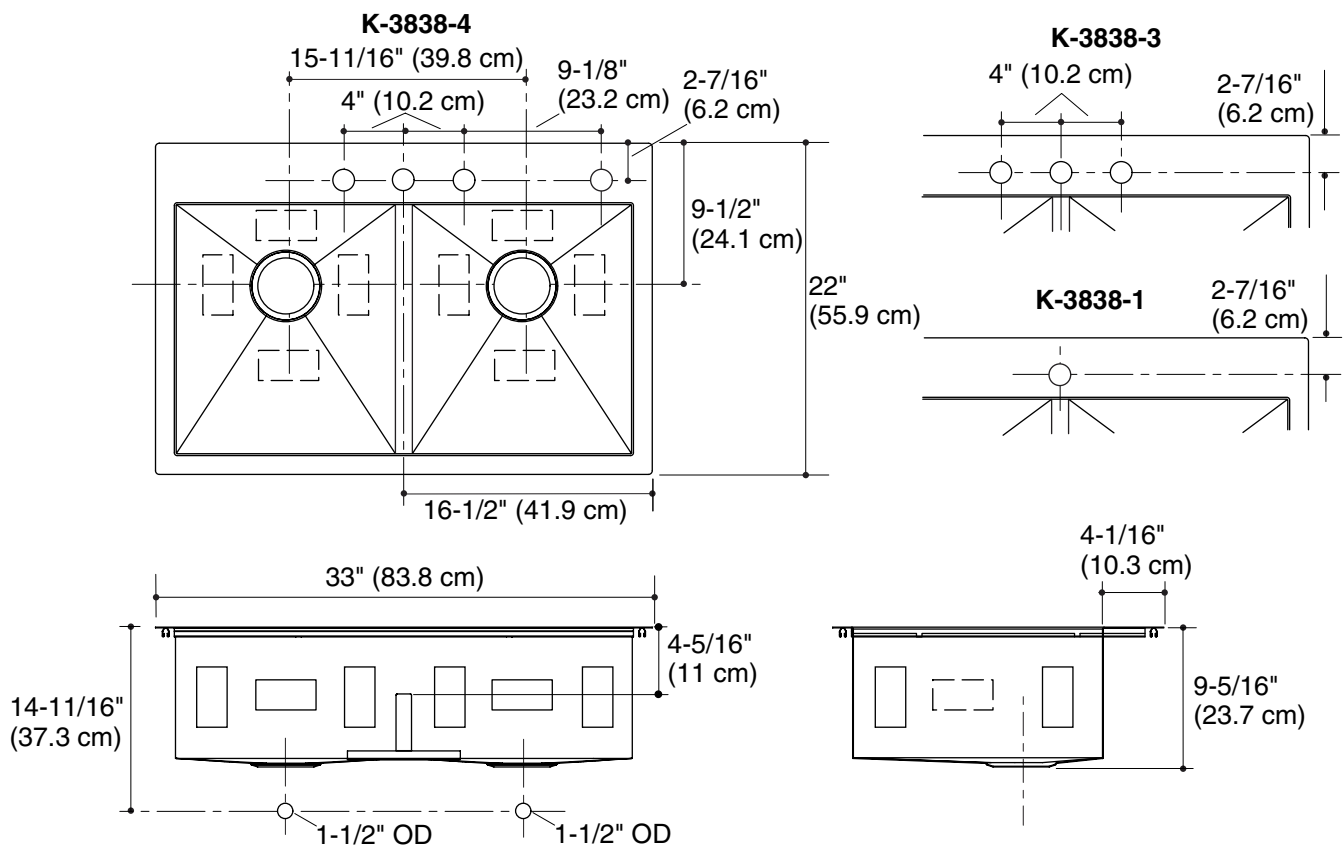
## Technical Information

Fixture*:	
Basin area	14-9/16" (37 cm) x 16-9/16" (42.1 cm) 14-9/16" (37 cm) x 16-9/16" (42.1 cm)
Water depth	9" (22.9 cm)
Drain hole	3-5/8" (9.2 cm) D.
* Approximate measurements for comparison only.	

Included components:	
Hardware kit – self-rimming	1130570
Cut-out template	1130821-7

## Installation Notes

Install this product according to the installation guide.



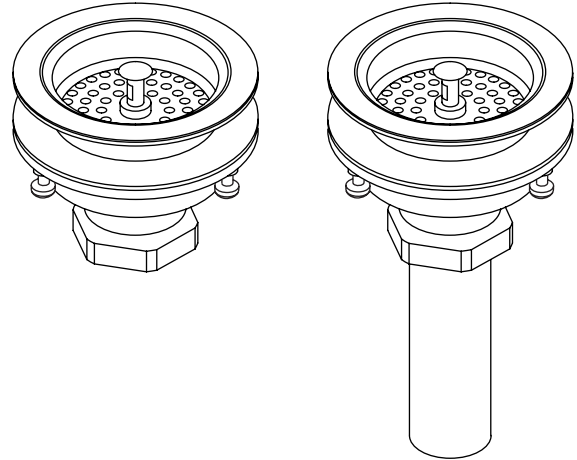
## Product Diagram

**DUOSTRAINER®**

**Features**

- Brass construction
- For sink installations with 3-1/2" (8.9 cm) or 4" (10.2 cm) outlet
- Removable basket strainer with open/close stopper
- 1-1/2" connection

**SINK STRAINER  
K-8801  
ALSO K-8799**



**Codes/Standards Applicable**

Specified model meets or exceeds the following:

- ASME A112.18.1
- CSA B125
- IAPMO/UPC

**Colors/Finishes**

- CP: Polished Chrome
- PB: Polished Brass
- Other: Refer to Price Book for additional colors/finishes

**Specified Model:**

Model	Description	Colors/Finishes		
		<input type="checkbox"/> CP	<input type="checkbox"/> PB	<input type="checkbox"/> Other _____
K-8799	Sink strainer less tailpiece	<input type="checkbox"/> CP	<input type="checkbox"/> PB	
K-8801	Sink strainer with tailpiece	<input type="checkbox"/> CP	<input type="checkbox"/> PB	<input type="checkbox"/> Other _____

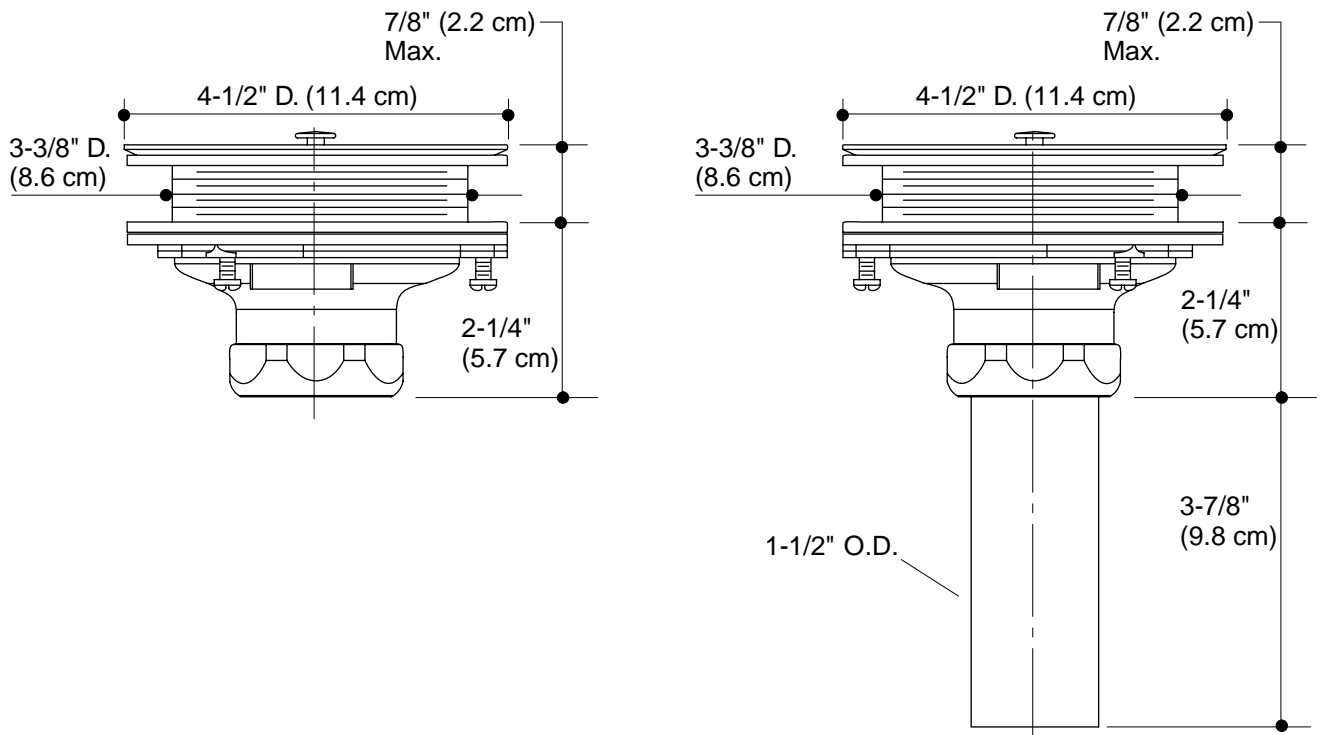
**PRODUCT SPECIFICATION**

Duostrainer sink strainer shall be of brass construction. Product shall feature removable basket strainer with an open/close stopper, and 1-1/2" connection. Product is intended for sink installations with 3-1/2" (8.9 cm) or 4" (10.2 cm) outlet. Optional feature shall be a brass tailpiece. Strainer shall be Kohler Model K-\_\_\_\_\_-\_\_\_\_\_.

# DUOSTRAINER®

## Installation Notes

Install this product in accordance with the installation instructions.



## Product Diagram

**TRANSITIONAL DESIGN**

**SOAP/LOTION DISPENSER  
K-1893**

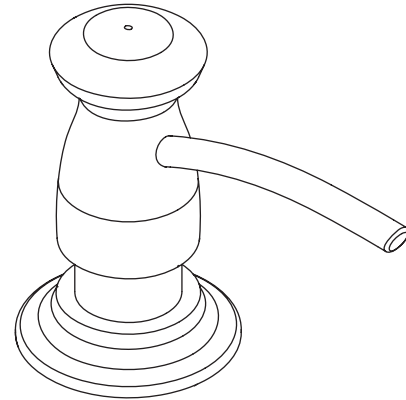
**Features**

- Brass construction
- Intended for kitchen sink and bathroom lavatory installations
- Refillable from the top side
- 16 fluid ounce (.5 L) capacity
- 3-5/16" (8.4 cm) high pump
- 3-3/8" (8.6 cm) long spout

**Codes/Standards Applicable**

Specified model meets or exceeds the following:

- None applicable



**Colors/Finishes**

- CP: Polished Chrome
- Other: Refer to Price Book for additional colors/finishes

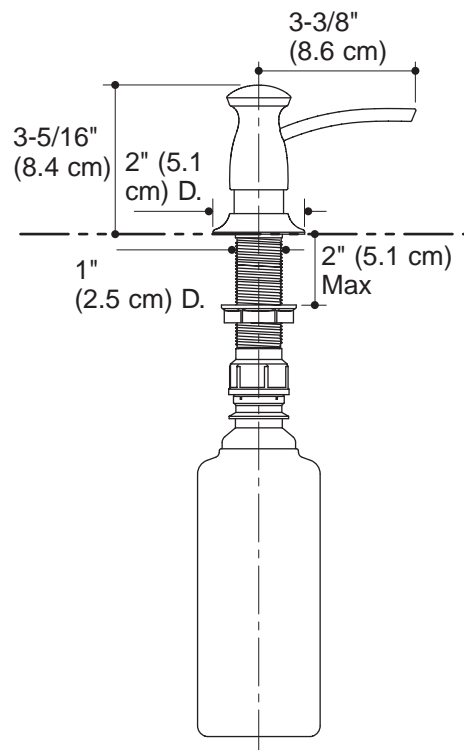
**Specified Model:**

Model	Description	Colors/Finishes
K-1893	Soap/lotion dispenser - transitional design	<input type="checkbox"/> CP <input type="checkbox"/> Other ____

**PRODUCT SPECIFICATION**

Transitional design soap/lotion dispenser shall be of brass construction. Product shall feature 3-5/16" (8.4 cm) high pump, 3-3/8" (8.6 cm) long spout, and is refillable from the top side. Product is intended for kitchen sink and bathroom lavatory installations and has a 16 fluid ounce (.5 L) capacity. Soap/lotion dispenser shall be Kohler Model K-1893-\_\_\_\_.

# TRANSITIONAL DESIGN



Product Diagram