

# KOHLER® Roughing-In

K-3376  
UNDERTONE®  
UNDERCOUNTER SINK

## Product Information

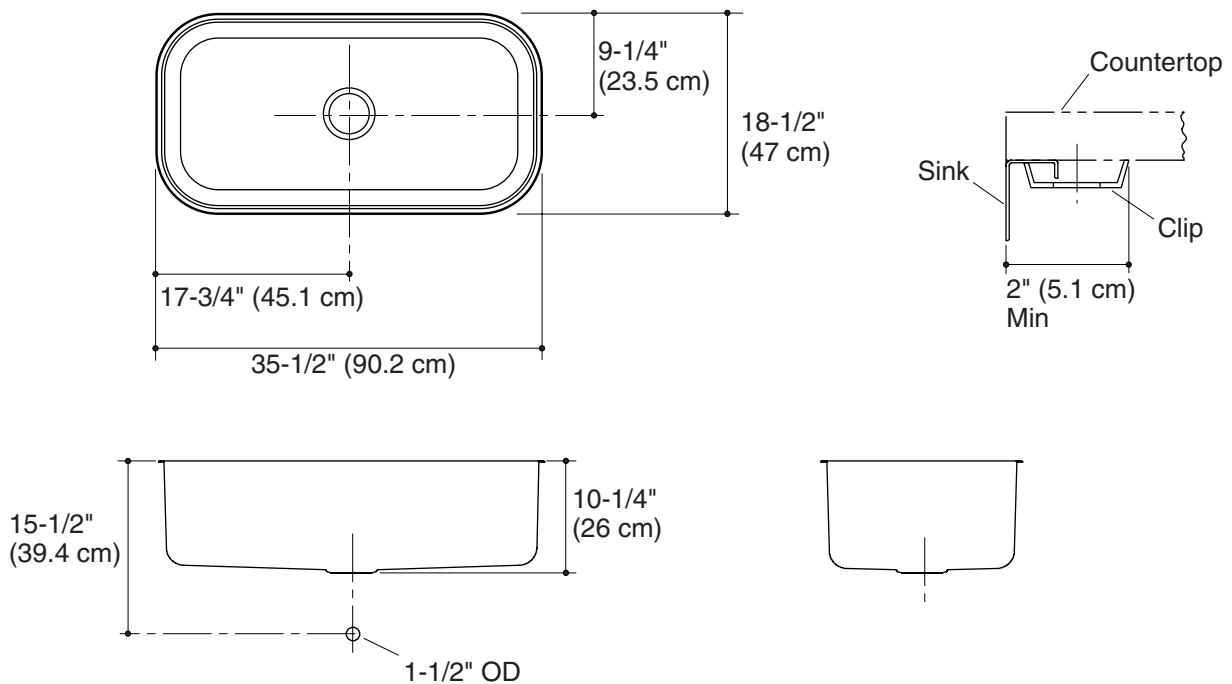
Applicable product:		
Undercounter sink	K-3376	shown
Fixture*:		
Basin area	34-3/8" (87.3 cm) x 17-3/8" (44.1 cm)	
Water depth	10" (25.4 cm)	
Drain hole	3-5/8" (9.2 cm) D.	
*Approximate measurements for comparison only.		
Included components:		
Hardware kit	91915	
Cut-out template	1042725-7	

## Installation Notes

Install this product according to the installation guide.

Allow a minimum of 2" (5.1 cm) clearance around the sink rim for clip attachment.

Fixture conforms to ASME Standard A112.19.3/CSA B45.4. All dimensions are nominal.

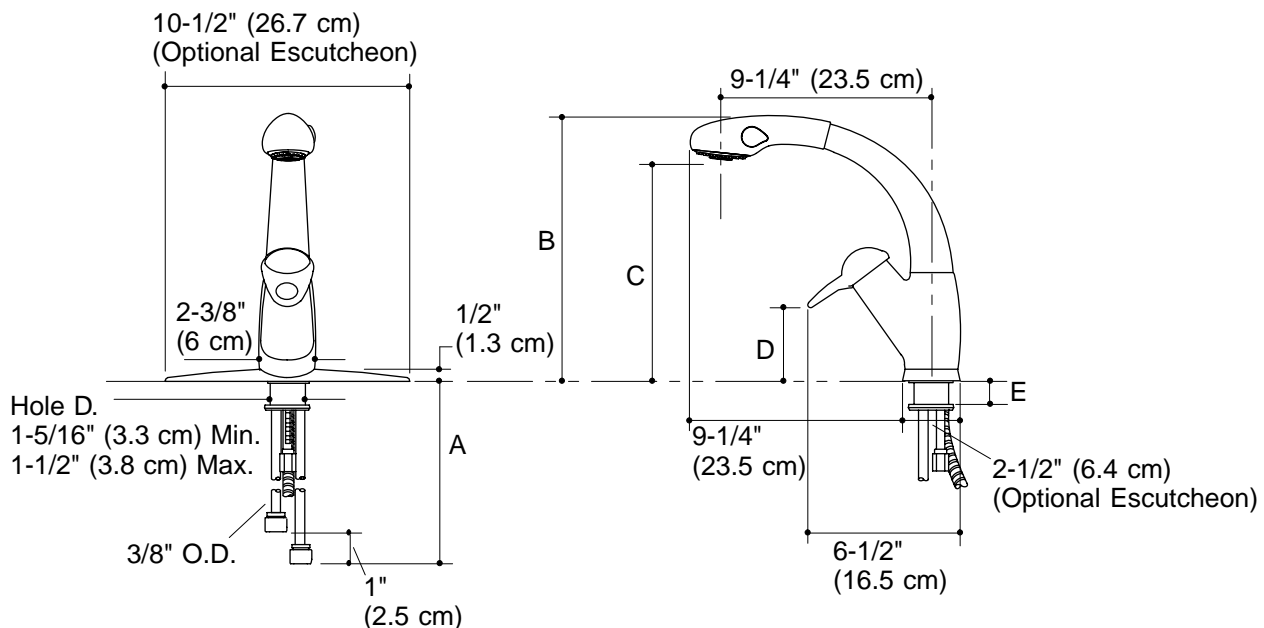


# KOHLER® Roughing-In

**K-6350  
AVATAR™  
KITCHEN SINK FAUCET**

## Product Information

Applicable sink faucet with sprayhead:	
With Matching Color sprayhead	K-6350
With Polished Chrome Body and White sprayhead	K-6350-AP
With Polished Chrome Body and Almond sprayhead	K-6350-MP
With Black sprayhead	K-6350-BP
Faucet is ADA compliant.	<b>ADA</b>



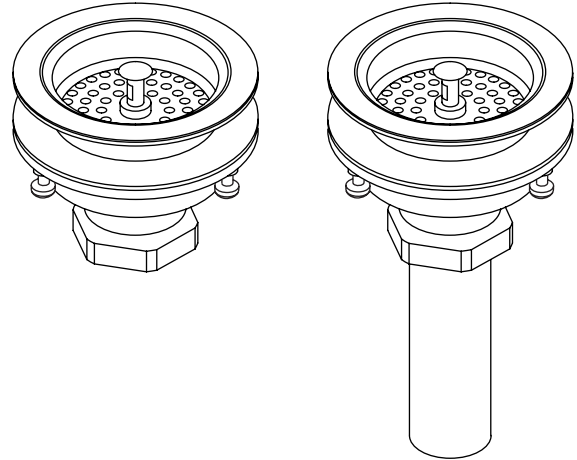
Roughing-In Notes					
	A	B	C	D	E
With escutcheon	11-1/8" (28.3 cm)	11-5/8" (29.5 cm)	9-3/8" (23.8 cm)	3-1/8" (7.9 cm)	2-5/8" (6.7 cm)
Without escutcheon	11-5/8" (29.5 cm)	11-1/8" (28.3 cm)	8-7/8" (22.5 cm)	2-5/8" (6.7 cm)	3-1/8" (7.9 cm)

**DUOSTRAINER®**

**Features**

- Brass construction
- For sink installations with 3-1/2" (8.9 cm) or 4" (10.2 cm) outlet
- Removable basket strainer with open/close stopper
- 1-1/2" connection

**SINK STRAINER  
K-8801  
ALSO K-8799**



**Codes/Standards Applicable**

Specified model meets or exceeds the following:

- ASME A112.18.1
- CSA B125
- IAPMO/UPC

**Colors/Finishes**

- CP: Polished Chrome
- PB: Polished Brass
- Other: Refer to Price Book for additional colors/finishes

**Specified Model:**

Model	Description	Colors/Finishes		
		<input type="checkbox"/> CP	<input type="checkbox"/> PB	<input type="checkbox"/> Other _____
K-8799	Sink strainer less tailpiece	<input type="checkbox"/> CP	<input type="checkbox"/> PB	
K-8801	Sink strainer with tailpiece	<input type="checkbox"/> CP	<input type="checkbox"/> PB	<input type="checkbox"/> Other _____

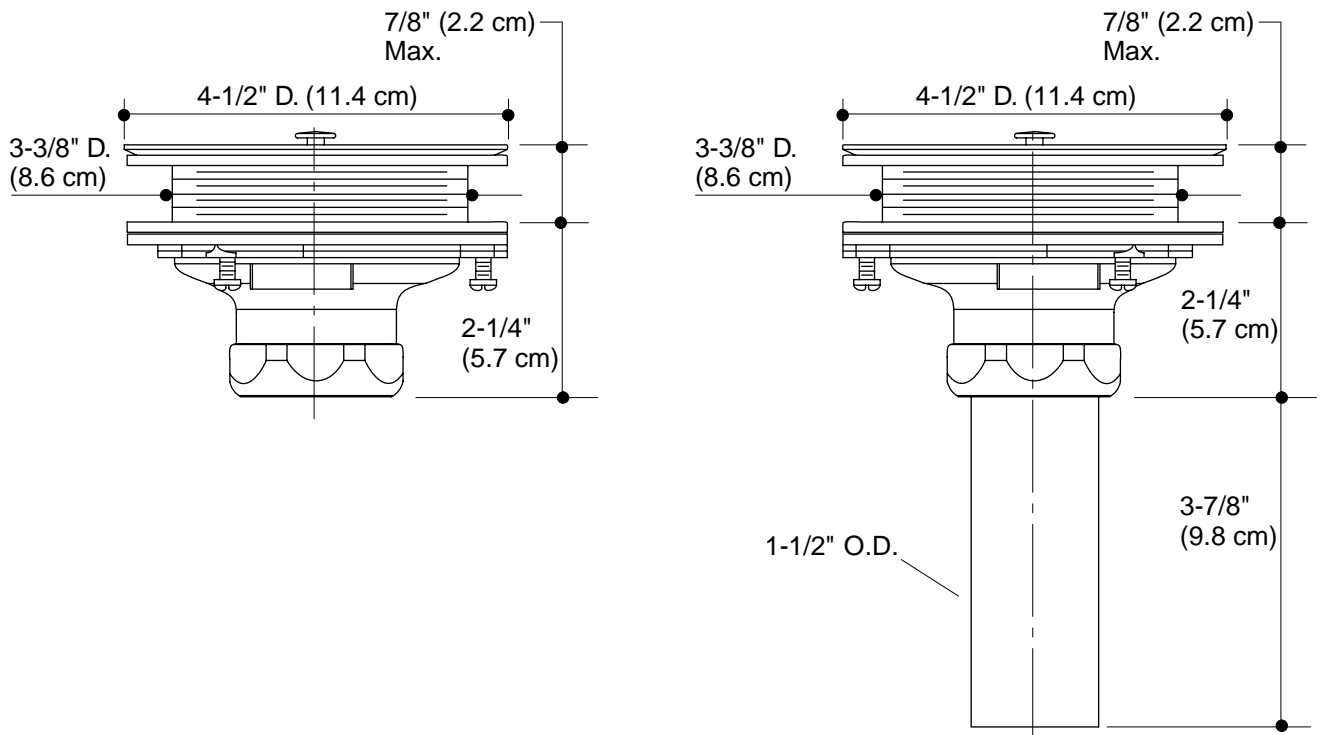
**PRODUCT SPECIFICATION**

Duostrainer sink strainer shall be of brass construction. Product shall feature removable basket strainer with an open/close stopper, and 1-1/2" connection. Product is intended for sink installations with 3-1/2" (8.9 cm) or 4" (10.2 cm) outlet. Optional feature shall be a brass tailpiece. Strainer shall be Kohler Model K-\_\_\_\_\_-\_\_\_\_\_.

# DUOSTRAINER®

## Installation Notes

Install this product in accordance with the installation instructions.



## Product Diagram