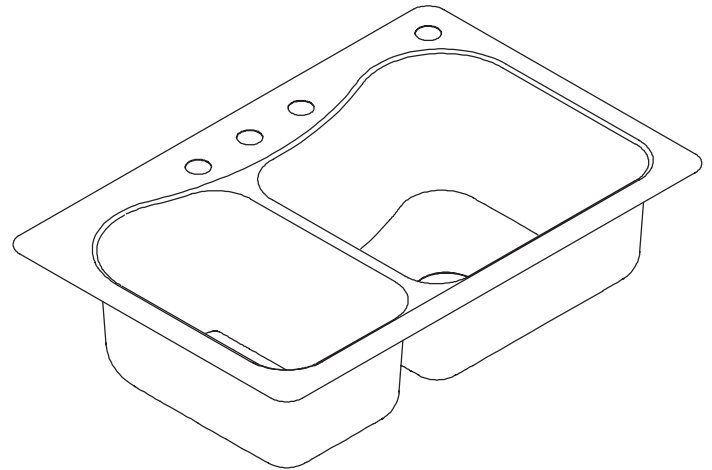


FEATURES

- 33" (83.8cm) x 22" (55.9cm)
- 18 gauge stainless steel
- Self-rimming
- Double (extra large/medium) compartment
- 4-hole (K-3361-4), 3-hole (K-3361-3), or single-hole (K-3361-1) faucet punching
- Includes installation hardware



CODES/STANDARDS APPLICABLE

Specified model meets or exceeds the following:

- None applicable

COLORS/FINISHES

- NA None Applicable

Accessories:

- CP Polished Chrome
- 0 White
- NA None Applicable
- Other Refer to Price Book for additional colors

SPECIFIED MODEL:

Model	Description	Colors/Finishes
K-3361-4	4-hole sink	<input type="checkbox"/> NA
K-3361-3	3-hole sink	<input type="checkbox"/> NA
K-3361-1	Single-hole sink	<input type="checkbox"/> NA

Optional Accessories		
K-3122	Bottom basin rack (for right basin only)	<input type="checkbox"/> ST
K-3123	Bottom basin rack (for left basin only)	<input type="checkbox"/> ST
K-3368	Wire rinse basket (for left basin only)	<input type="checkbox"/> ST
K-3364	Colander	<input type="checkbox"/> 0 White <input type="checkbox"/> Other_____
K-3365	Hardwood cutting board	<input type="checkbox"/> NA
K-8813	Duostrainer sink strainer	<input type="checkbox"/> CP <input type="checkbox"/> Other_____

PRODUCT SPECIFICATION:

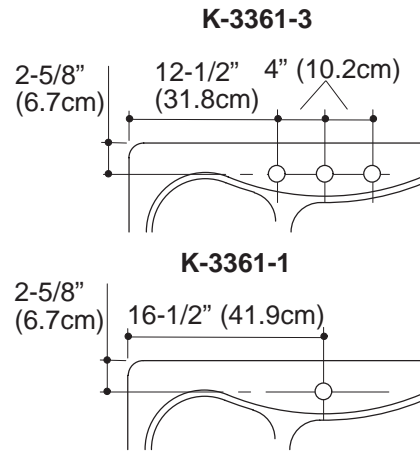
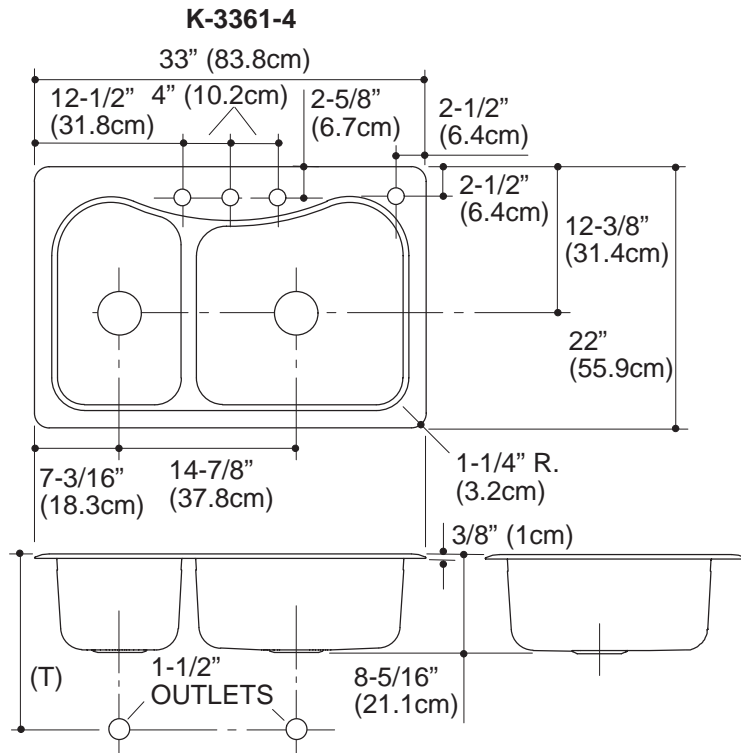
The self-rimming sink shall be 33" (83.8cm) in length, and 22" (55.9cm) in width. Sink shall be made of 18 gauge stainless steel. Sink shall be double (extra large/medium) compartment. Sink shall be 4-hole (K-3361-4), 3-hole (K-3361-3), or single-hole (K-3361-1) faucet punched. Sink shall include installation hardware. Sink shall be Kohler Model K-3361-_____-_____.

STACCATO™

PRODUCT INFORMATION

Fixture*:	basin area	water depth
Sink, left	10-7/16" (26.5cm) x 17-1/16" (43.3cm)	8" (20.3cm)
Sink, right	17-7/16" (44.3cm) x 17-1/16" (43.3cm)	8" (20.3cm)
Outlet	3-5/8" D. (9.2cm)	
Faucet holes	1-7/16" D. (3.7cm)	

* Approximate measurements for comparison only.



(T) Drain typically 14-9/16" (37cm)	
Cutout	32-1/2" (82.6cm) x 21-1/2" (54.6cm) with 1" (2.5cm) radius corners.

116

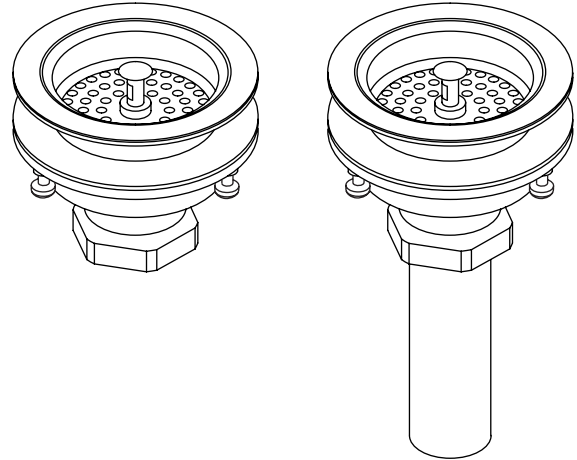
PRODUCT DIAGRAM

DUOSTRAINER®

Features

- Brass construction
- For sink installations with 3-1/2" (8.9 cm) or 4" (10.2 cm) outlet
- Removable basket strainer with open/close stopper
- 1-1/2" connection

**SINK STRAINER
K-8801
ALSO K-8799**



Codes/Standards Applicable

Specified model meets or exceeds the following:

- ASME A112.18.1
- CSA B125
- IAPMO/UPC

Colors/Finishes

- CP: Polished Chrome
- PB: Polished Brass
- Other: Refer to Price Book for additional colors/finishes

Specified Model:

Model	Description	Colors/Finishes		
		<input type="checkbox"/> CP	<input type="checkbox"/> PB	<input type="checkbox"/> Other _____
K-8799	Sink strainer less tailpiece	<input type="checkbox"/> CP	<input type="checkbox"/> PB	
K-8801	Sink strainer with tailpiece	<input type="checkbox"/> CP	<input type="checkbox"/> PB	<input type="checkbox"/> Other _____

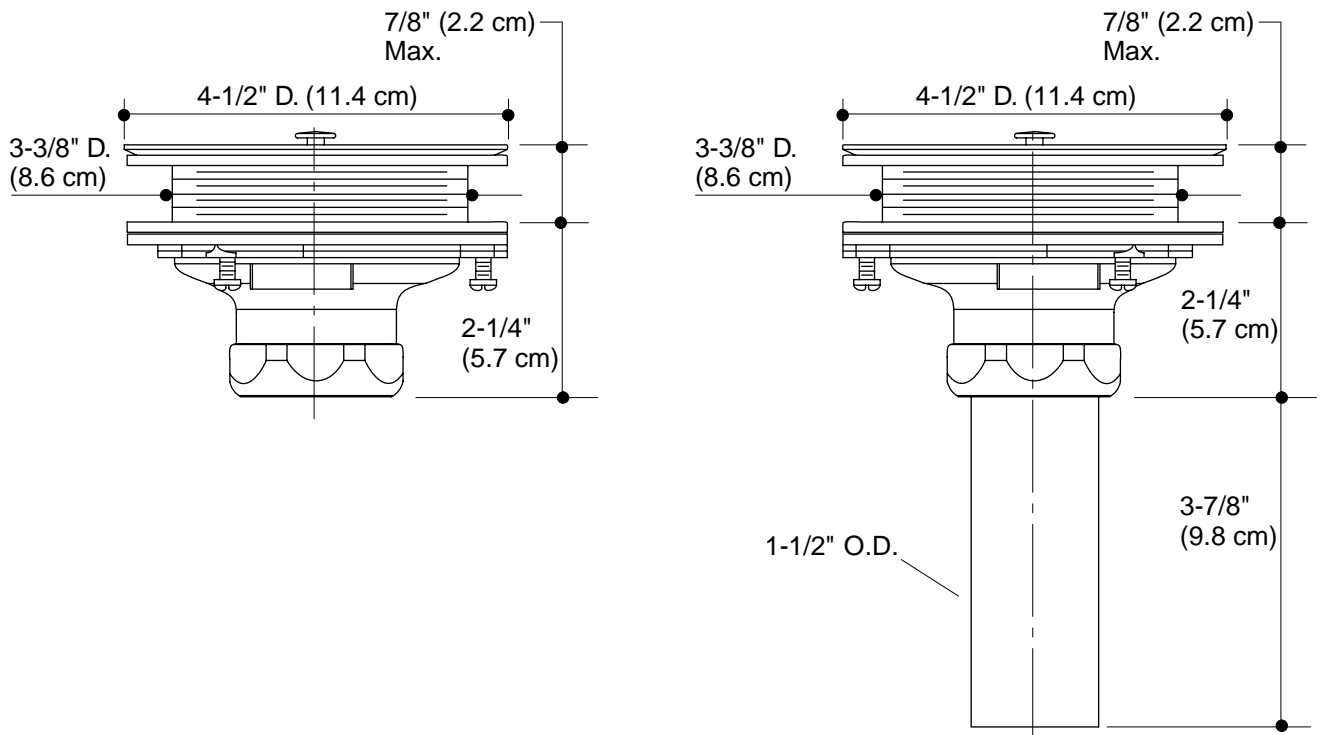
PRODUCT SPECIFICATION

Duostrainer sink strainer shall be of brass construction. Product shall feature removable basket strainer with an open/close stopper, and 1-1/2" connection. Product is intended for sink installations with 3-1/2" (8.9 cm) or 4" (10.2 cm) outlet. Optional feature shall be a brass tailpiece. Strainer shall be Kohler Model K-_____-_____.

DUOSTRAINER®

Installation Notes

Install this product in accordance with the installation instructions.

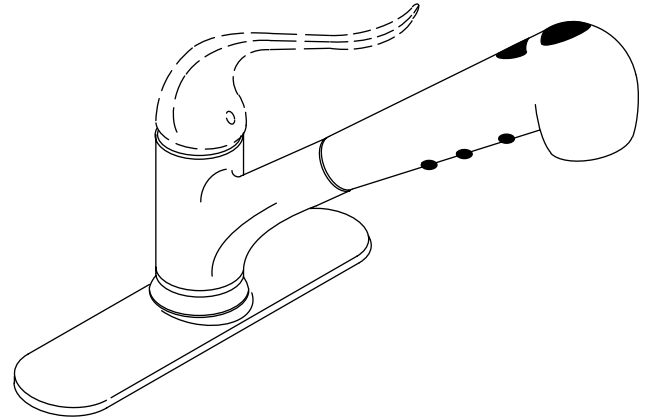


Product Diagram

**PULL-OUT SPRAY KITCHEN SINK
FAUCET
K-15160**

Features

- Metal construction
- One-piece, self-contained ceramic disc valve allows both volume and temperature control
- Temperature memory allows faucet to be turned on and off at any temperature setting
- High-temperature limit stop for added safety
- Lever or Loop handle
- 9" (22.9 cm) swing spout reach
- Touch control for stream-to-spray water flow
- 2.2 gallons (8.3 L) per minute
- 10" (25.4 cm) escutcheon plate for three-hole installation
- Integral vacuum breaker



Codes/Standards Applicable


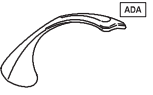
Specified model meets or exceeds the following:

- ASME A112.18.1
- CSA B125
- IAPMO/UPC
- NSF 61
- Energy Policy Act of 1992 (EPACT)
- Listed in the State of Wisconsin
- ADA

Colors/Finishes

- CP: Polished Chrome
- Other: Refer to Price Book for additional colors/finishes

Specified Model

Model	Description		
K-15160	Faucet with lever handle and matching color sprayhead	<input type="checkbox"/> CP	<input type="checkbox"/> Other
K-15160-AP	Faucet with lever handle, Polished Chrome body and White sprayhead	<input type="checkbox"/> CP	
K-15160-L	Faucet with loop handle and matching color sprayhead		<input type="checkbox"/> CP <input type="checkbox"/> Other
K-15160-LA	Faucet with loop handle, Polished Chrome body and White sprayhead		<input type="checkbox"/> CP

Product Specification

Single-control pull-out spray kitchen sink faucet shall be of metal construction. The valve shall be a one-piece, self-contained ceramic disc valve, and allows both volume and temperature control. The valve shall feature temperature memory, allowing the faucet to be turned on and off at any temperature setting, and includes a high-temperature limit stop. Product shall include 9" (22.9 cm) swing spout with integral sprayhead and hose, lever or loop handle, integral vacuum breaker, and 10" (25.4 cm) escutcheon plate. Faucet shall be Kohler Model K-15160-_____-_____.

CORALAIS®

Technical Information

Applicable Faucet:	Lever Handle	Loop Handle
Chrome body/Chrome spray	K-15160-CP	K-15160-L-CP
Chrome body/White spray	K-15160-AP	K-15160-LA
Black body/Black spray	K-15160-7	K-15160-L-7
White body/White spray	K-15160-0	K-15160-L-0
Almond body/Almond spray	K-15160-47	K-15160-L-47
Biscuit body/Biscuit spray	K-15160-96	K-15160-L-96

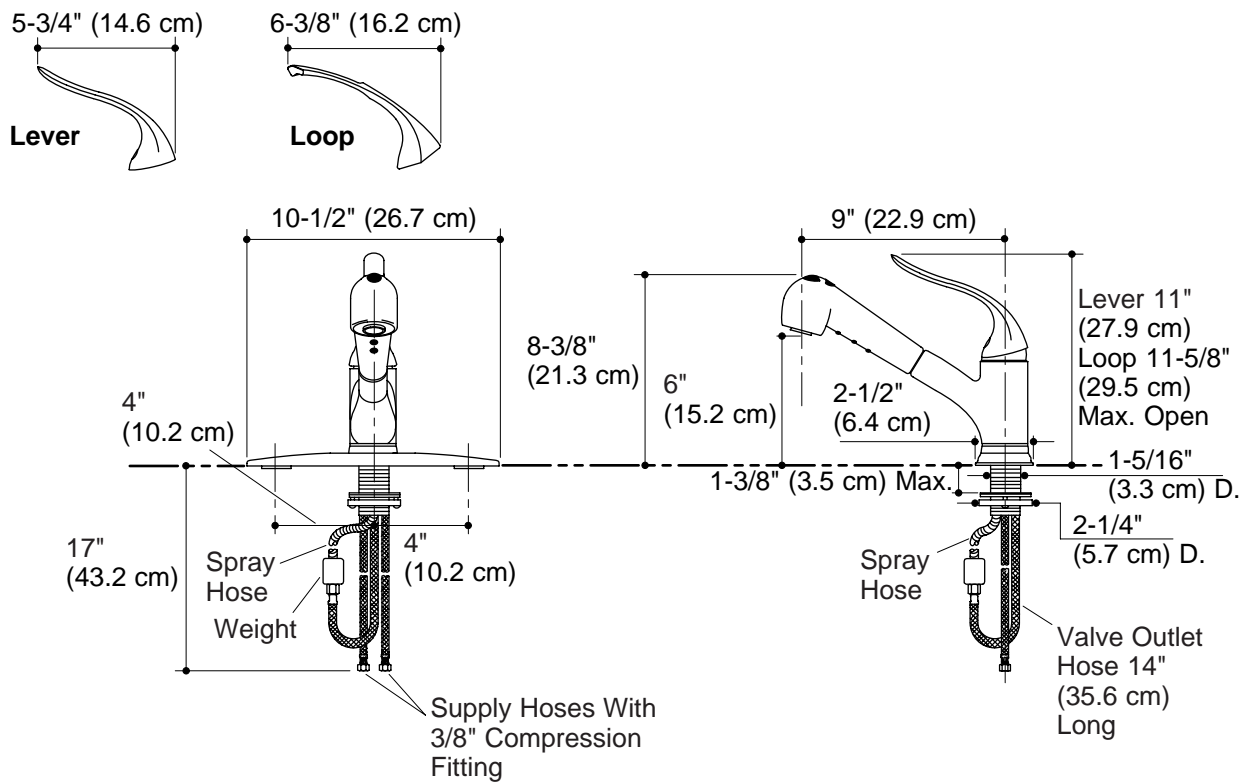
Handles are ADA compliant. ADA

Installation Notes

Install this product according to the installation guide.

This product meets all local plumbing codes for vacuum breaker requirements.

All necessary parts included for both single-hole and three-hole installation.



Product Diagram

Product Information

Applicable product:	
Soap/lotion dispenser with contemporary design	K-1895
Capacity	16 fluid ounces (.5 L)

