

**ALTEO™ RITE-TEMP®**

**BATH AND SHOWER VALVE TRIM**

**K-T45104**

**ALSO K-T45106, K-T45108**

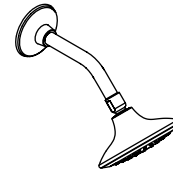
**Features**

- Premium construction
- MasterClean™ spray nozzles to prohibit mineral build-up for easy cleaning
- Intended for use with Rite-Temp® or HiFlow Rite-Temp® valves
- Push button diverter on bath and shower trim models [K-T45108, K-T45112]
- Heavy duty slip-fit clamp design and NPT threaded spout

**Codes/Standards Applicable**

Specified model meets or exceeds the following:

- ASME A112.18.1/CSA B125.1



**Colors/Finishes**

- CP: Polished Chrome
- Other: Refer to Price Book for additional colors/finishes
- NA: None applicable

**Specified Model**

Model	Description	Colors/Finishes	
K-T45104-4	Bath and shower valve trim (shown)	<input type="checkbox"/> CP	<input type="checkbox"/> Other ____
K-T45106-4	Shower trim only – less diverter button	<input type="checkbox"/> CP	<input type="checkbox"/> Other ____
K-T45108-4	Shower trim only with diverter button	<input type="checkbox"/> CP	<input type="checkbox"/> Other ____
K-T45110-4	Mixing valve trim less diverter button – ADA compliant	<input type="checkbox"/> CP	<input type="checkbox"/> Other ____
K-T45112-4	Mixing valve trim with diverter button – ADA compliant	<input type="checkbox"/> CP	<input type="checkbox"/> Other ____

**Required Accessories**

K-304-**	Rite-Temp® pressure-balancing valve <b>OR</b>	<input type="checkbox"/> NA
K-2971-**	HiFlow Rite-Temp valve with stops <b>OR</b>	<input type="checkbox"/> NA
K-11748-**	Rite-Temp valve with push-button diverter	<input type="checkbox"/> NA

\*\* For a complete listing of all the Rite-Temp valves, refer to the individual valve Specification Sheet or Roughing-In Sheet.

**Product Specification**

The bath and shower valve trim shall be made of premium construction. Product shall feature MasterClean spray nozzles to prohibit mineral build-up for easy cleaning. Product shall feature heavy duty slip-fit clamp design and NPT threaded spout. Product is intended for use with Rite-Temp or HiFlow Rite-Temp valves. Product shall feature a push button diverter on bath and shower trim models [K-T45108, K-T45112]. Valve trim shall be Kohler Model K-T\_\_\_\_-\_\_\_\_-\_\_\_\_ and required Rite-Temp valve shall be K-\_\_\_\_-\_\_\_\_-NA.

# ALTEO™ RITE-TEMP®

## Optional Accessories

88526	Thin wall installation kit for K-2971-KS HiFlow Rite-Temp valve		<input type="checkbox"/> CP	<input type="checkbox"/> Other ____
1073881	Deep roughing-in kit for K-304 and K-2971 Rite-Temp valves	<input type="checkbox"/> NA		
1156950	Deep roughing-in kit for K-11748 Rite-Temp valve		<input type="checkbox"/> CP	<input type="checkbox"/> Other ____
K-45129	Shower arm and flange		<input type="checkbox"/> CP	<input type="checkbox"/> Other ____
K-45131	Diverter bath spout		<input type="checkbox"/> CP	<input type="checkbox"/> Other ____
K-45133	Non-diverter bath spout		<input type="checkbox"/> CP	<input type="checkbox"/> Other ____

## Installation Notes

Install the valve trim according to the installation guide.

Install the Rite-Temp valve according to the installation guide.

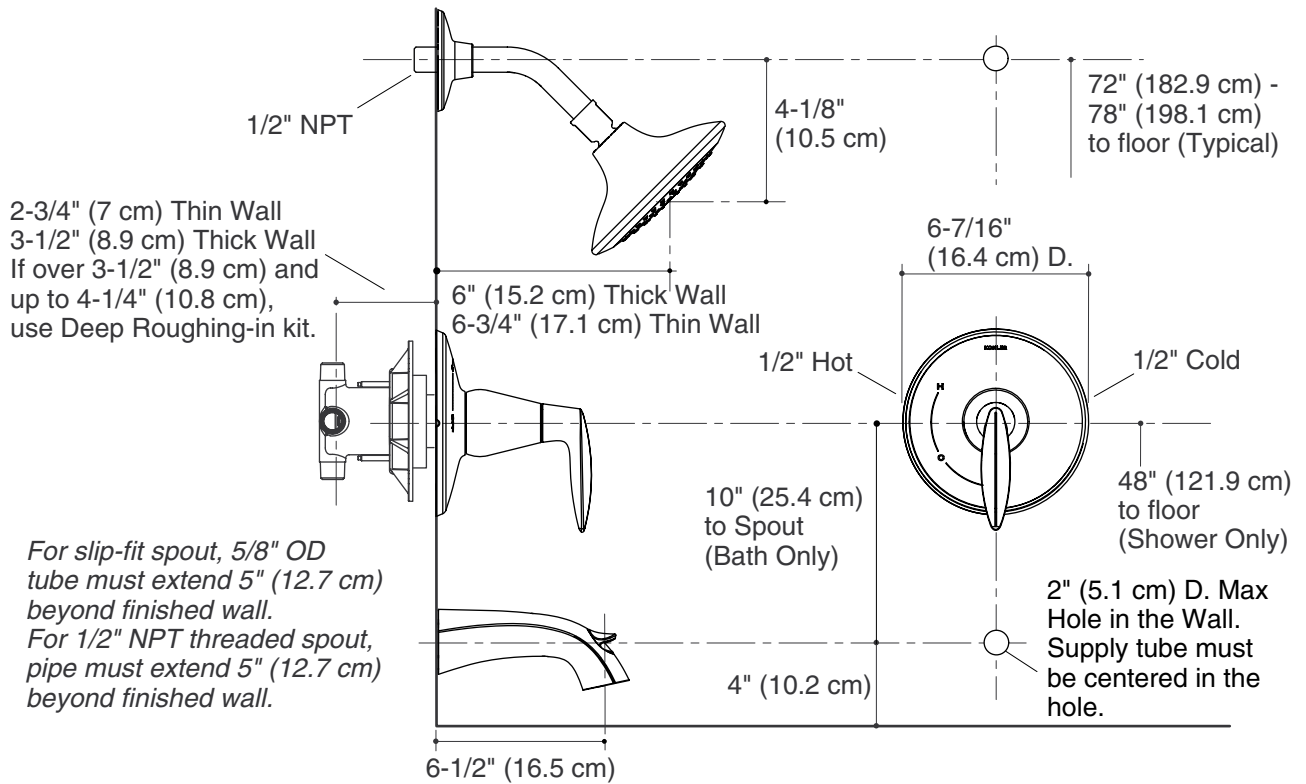


**CAUTION: Risk of product damage.** Long screws, for installing trim, can damage the K-2971-KS valve. Consult the trim installation guide to verify if the thin wall installation kit (88526) is needed.

Avoid cross-flow conditions. Do not install a shut-off device on either valve outlet.

Cap the shower outlet if the deck-mounted spout, diverter, or handshower is connected to the spout outlet.

Install a 7" (17.8 cm) to 18" (45.7 cm) straight pipe or straight tube with single bath elbow between the valve and the wall-mount spout.



## Product Diagram