

Features

- Brass construction.
- MasterClean™ spray nozzles prohibit mineral build-up.
- Complements Loure® Suite.
- Push button diverter.
- Requires a Rite-Temp® valve.

Required Accessories

K-11748-K Pressure-Balancing Valve With Diverter Less Stops

or

K-11748-KS Pressure-Balancing Valve With Diverter and Stops



For complete listing of available colors, go to kohler.com.

Codes/Standards

ASME A112.18.1/CSA B125.1

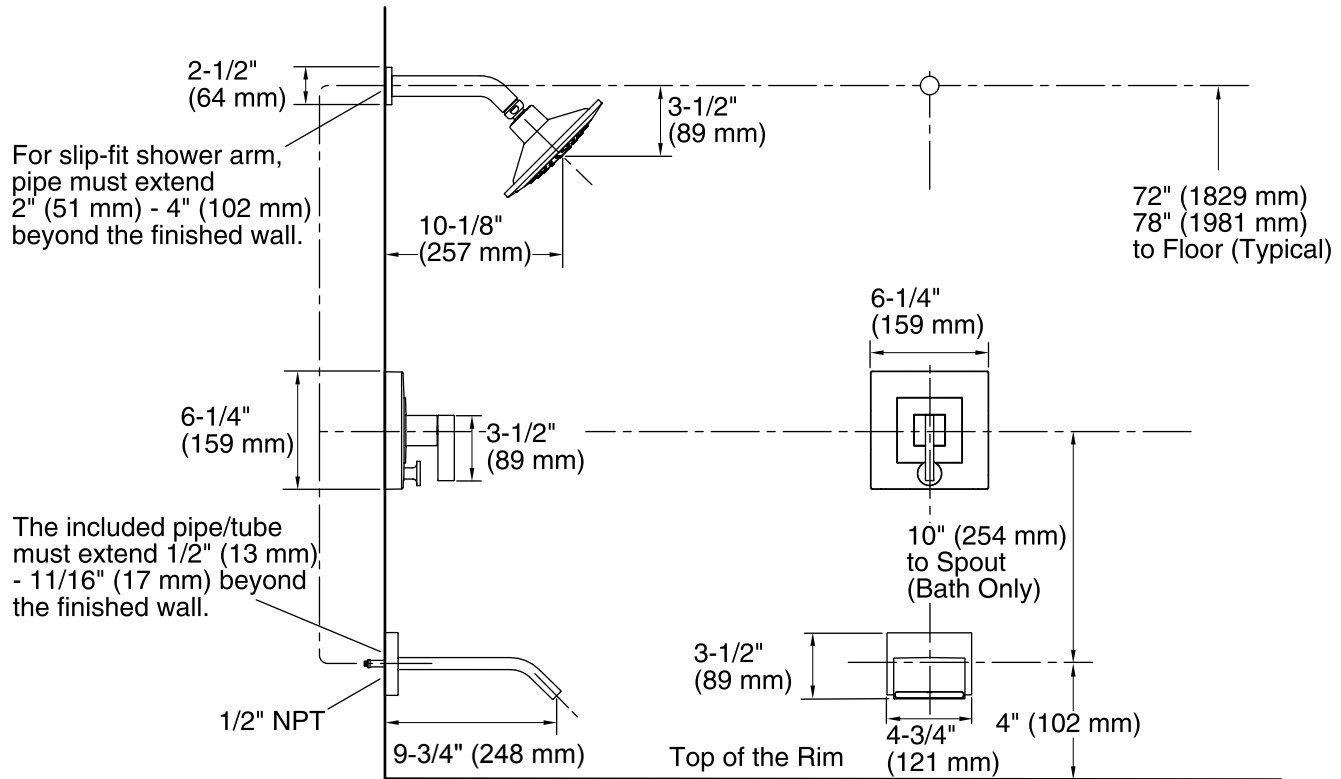
ASSE 1016

KOHLER® Faucet Lifetime Limited Warranty

See website for detailed warranty information.

Product Specification

Bath and shower trim shall be made of brass construction. Bath and shower trim shall have a push button diverter. Bath and shower trim shall feature a MasterClean™ spray nozzle that prohibits mineral buildup. Bath and shower trim shall be Kohler Model K-T14664-4.



Technical Information

All measurements are nominal.

Pressure: 45 psi (3.1 bar)

Installation Notes

Install this product according to the installation guide.

Avoid cross-flow conditions. Do not install a shut-off device on either valve outlet.

Cap the shower outlet if the deck-mounted spout, diverter, or handshower is connected to the spout outlet.

Install straight pipe or tube drop of 7" (178 mm) to 18" (457 mm) with single elbow between the valve and the wall-mount spout. Elbow must be a 90 degree drop ell that is secured to rigid framing.