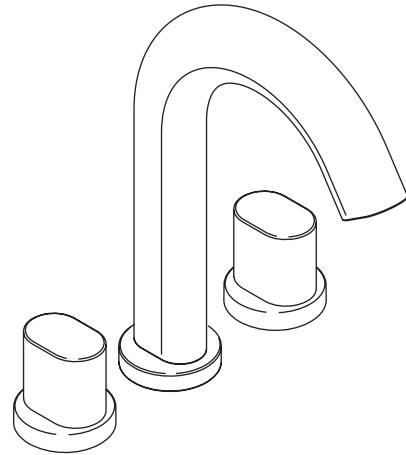


**Features**

- Brass construction
- Deck-mount
- 8-3/4" (22.2 cm) high-arch non-diverter spout with slip-fit connection

**BATH FAUCET TRIM  
K-T10059-9**



**Codes/Standards Applicable**

Specified model meets or exceeds the following:

- ASME A112.18.1/CSA B125.1
- IAPMO/cUPC

**Colors/Finishes**

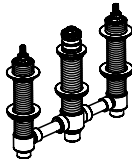
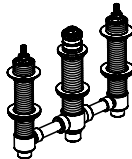
- CP: Polished Chrome
- Other: Refer to Price Book for additional colors/finishes

**Accessories**

- NA: None applicable

**Specified Model**

Model	Description	Colors/Finishes	
K-T10059-9	Bath faucet trim	<input type="checkbox"/> CP	<input type="checkbox"/> Other _____

Required Accessories*			
K-300-K	1/2" high-flow ceramic disc valve system	<input type="checkbox"/> NA	
K-300-KR	1/2" ceramic high-flow valve with rigid connections	<input type="checkbox"/> NA	
K-301-K	3/4" high-flow ceramic disc valve system		<input type="checkbox"/> NA

\* One valve system is required.

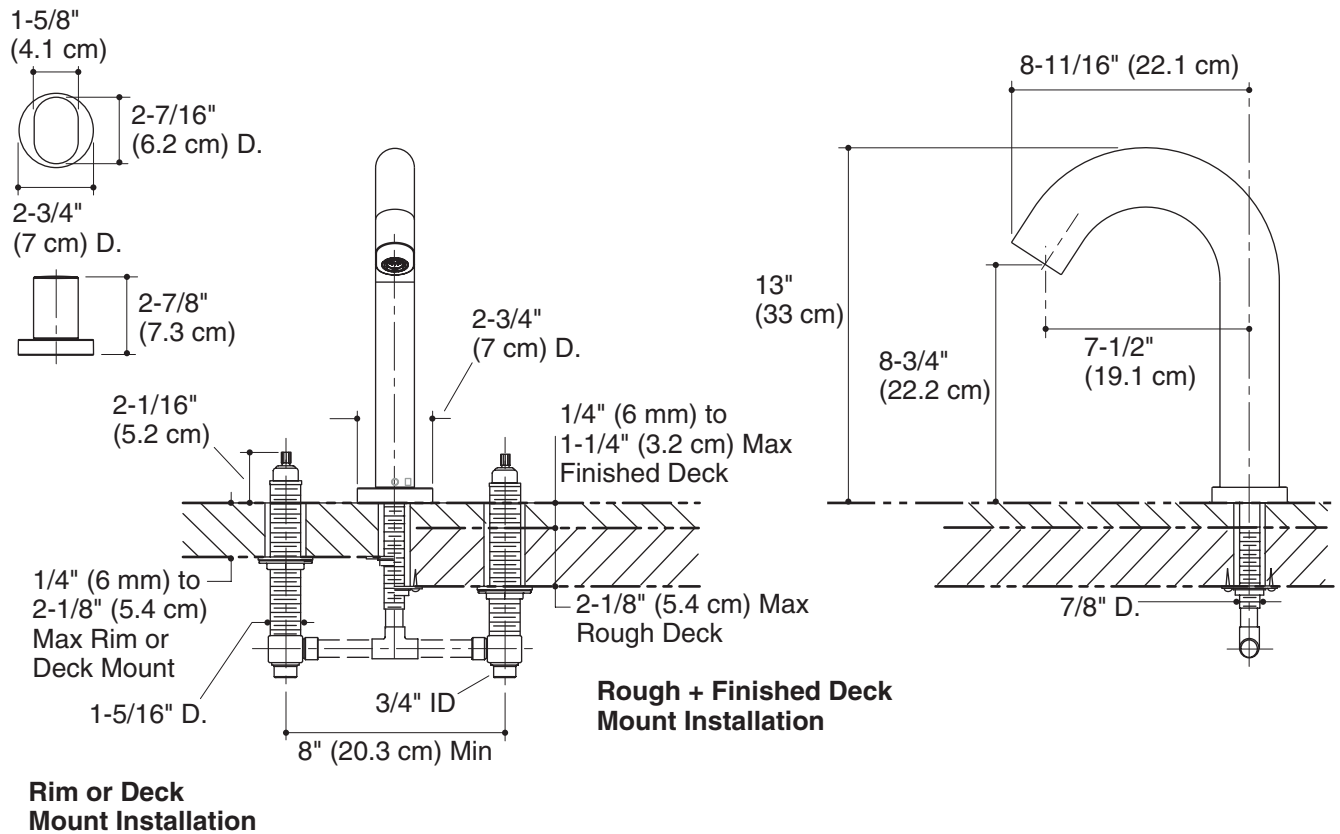
Optional Accessories	
1071648	Deep rough-in kit – For K-300-K and K-300-KR valves
1086701-CP/BN/SN	Deep rough-in kit – For K-301-K valve

**Product Specification**

The deck-mount bath faucet trim shall be made of brass construction. Faucet trim shall include a 8-3/4" (22.2 cm) high-arch non-diverter spout with slip-fit connection. Faucet trim shall be Kohler Model K-T10059-9-\_\_\_\_\_ and valve system shall be Kohler Model K-\_\_\_\_\_-K-NA

## Installation Notes

Install this product according to the installation and care guide.



## Product Diagram