

Features

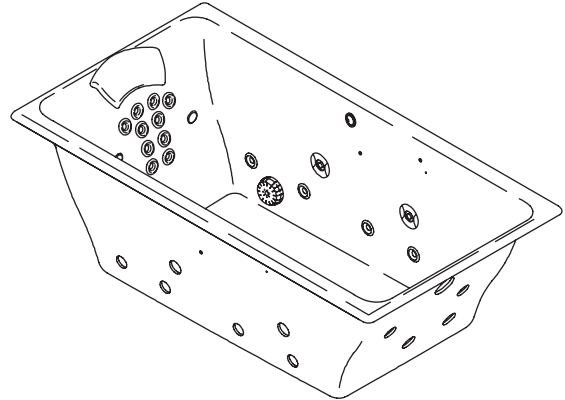
- Cast iron with Safeguard® finish
- Drilled for required grip rails
- Variable speed pump with 1.5 kW heater, back-lit user keypad and remote control
- 6 Flexjets™
- Two pulsating neckjets with pillow
- 8 effervescent ports
- 4 chromatherapy lights
- Ten color-matched sequencing Bodyssage backjets
- 66" (167.6 cm) x 36" (91.4 cm) x 23" (58.4 cm)

Codes/Standards Applicable

Specified model meets or exceeds the following:

- ASME A112.19.1/CSA B45.2
- ASME A112.19.7M
- UL 1795

5.5' EXPERIENCE BATH WHIRLPOOL WITH SPA/MASSAGE PACKAGE K-856-V



Colors/Finishes

- 0: White
- Other: Refer to Price Book for additional colors/finishes

Accessories

- CP: Polished Chrome
- PB: Vibrant® Polished Brass
- Other: Refer to Price Book for additional colors/finishes
- NA: None applicable

Specified Model

Model	Description	Colors/Finishes		
K-856-V	5.5 Experience bath whirlpool with Spa/Massage Package	<input type="checkbox"/> 0	<input type="checkbox"/> Other_____	
Required Accessories				
K-7148-AF	Adjustable pop-up bath drain	<input type="checkbox"/> CP	<input type="checkbox"/> PB	<input type="checkbox"/> Other_____
K-9653	Grip rails (pair)	<input type="checkbox"/> CP	<input type="checkbox"/> PB	<input type="checkbox"/> Other_____
Optional Accessories				
K-1601	Footstop	<input type="checkbox"/> 0	<input type="checkbox"/> Other_____	

Product Specification

The bath whirlpool shall be 66" (167.6 cm) in length, 36" (91.4 cm) in width, and 23" (58.4 cm) in height. Product shall be made of cast iron with Safeguard® finish. Product shall have 6 Flexjets™, 8 effervescence ports and 4 chromatherapy lights. Product shall have a variable speed pump with 1.5 kW heater, back-lit user keypad and remote control. Product shall have ten color-matched sequencing Bodyssage backjets and 2 pulsating neckjets with pillow. Product shall be drilled for K-9653 grip rails (required). Bath whirlpool shall be Kohler Model K-856-V-_____.

TEA-FOR-TWO®

Technical Information

Fixture*:				
Basin area:				
Bathing area, bottom	42" (106.7 cm) x 25" (63.5 cm)			
Bathing area, top	58" (147.3 cm) x 29" (73.7 cm)			
Weight	510 lbs (231 kg)			
To overflow:				
Water depth	18" (45.7 cm)			
Capacity	96 gal (363.4 L)			
* Approximate measurements for comparison only.				
Pump:	kW	V	Hz	A
	1.5	240	50/60	15

Required Electrical Service

Dedicated circuit required, protected with Class A Ground-Fault Circuit-Interrupter (GFCI) or Residual Current Device (RCD):

Pump/control	220-240 V, 20 A, 50/60 Hz
--------------	---------------------------

Installation Notes

Install this product according to the installation guide.

Floor support under whirlpool must provide for a minimum of 81 lbs/square foot (395 kg/square meter) loading.

Cast iron whirlpools are extremely heavy, making some drop-in installations difficult. Splitting the deck/surround is recommended if installing into a deck.

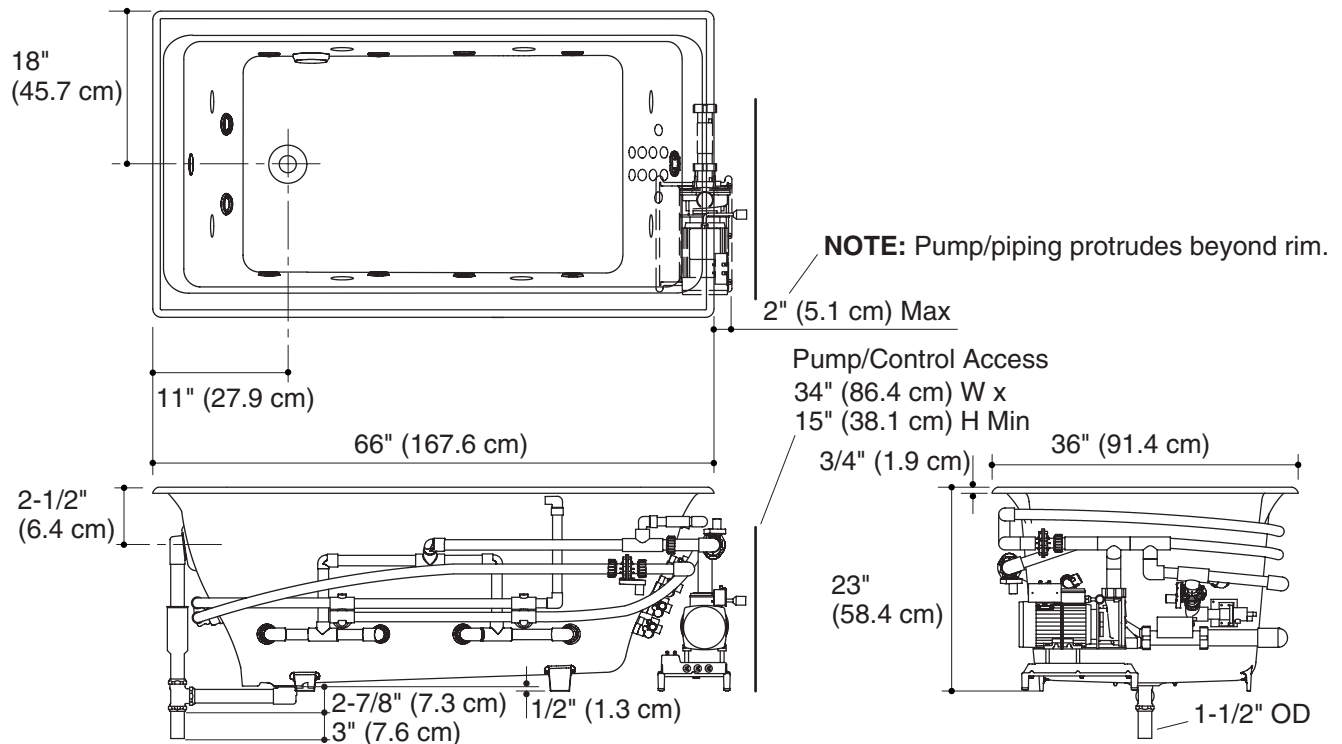
A pump/control access panel is required.

Pump/piping protrudes beyond the rim (see below).

Hot water supply should be 70% of the water capacity or greater. Installations will vary.

K-856-V

No change in measurements with drain shown. (K-7148-AF or K-7148M-AF)



Product Diagram