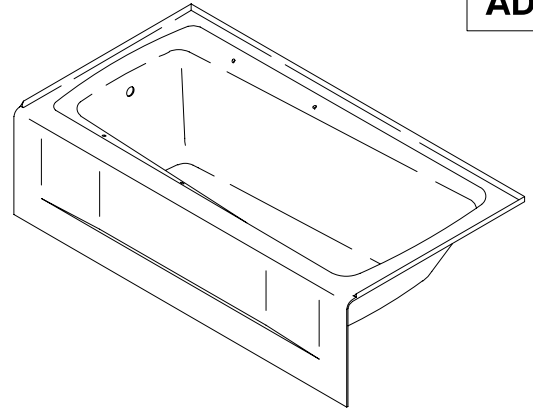


# K-785, K-786

ADA

## FEATURES

- 60" x 32" x 16-1/4"
- Cast iron with Safeguard® finish
- Left or right outlet
- ADA compliant when installed with seat at head end
- Drilled for K-9620 grip rails (required)
- LESS ALL TRIM



## CODES/STANDARDS APPLICABLE

Specified model meets or exceeds the following:

- ADA
- ASME/ANSI A112.19.1M
- CABO/ANSI A117.1
- IAPMO/UPC
- Canadian Standards Association (CSA)
- State of Massachusetts

## COLORS/FINISHES

- 0 White
- Other Refer to Fixtures Price Book for additional colors

### Accessories:

- CP Polished Chrome
- PB Polished Brass
- Other Refer to Faucets Price Book for additional finishes

## SPECIFIED MODEL:

Model	Description	Colors/Finishes	
K-785	Bath with outlet at left	<input type="checkbox"/> 0 White	<input type="checkbox"/> Other_____
K-786	Bath with outlet at right	<input type="checkbox"/> 0 White	<input type="checkbox"/> Other_____

Required Accessories				
K-9620	Grip rails, pair	<input type="checkbox"/> CP	<input type="checkbox"/> PB	<input type="checkbox"/> Other_____
Recommended Accessories				
K-7160-TF	Drain	<input type="checkbox"/> CP	<input type="checkbox"/> PB	<input type="checkbox"/> Other_____

## PRODUCT SPECIFICATION:

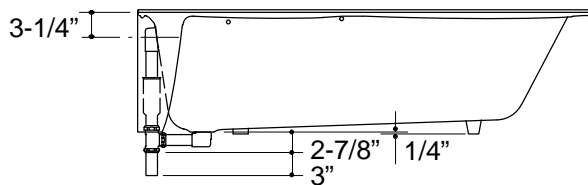
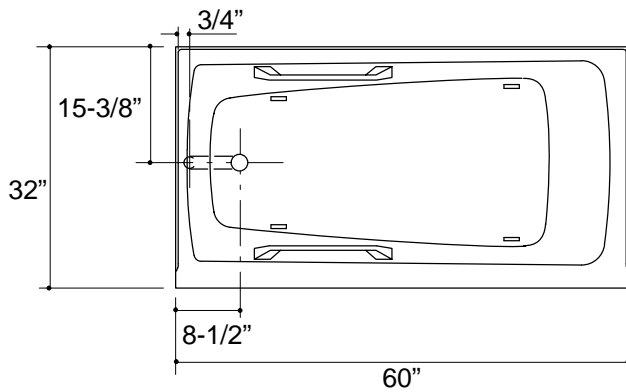
The bath shall be 60" in length, 32" in width, and 16-1/4" in height. Bath shall be made of cast iron with Safeguard® finish. Bath shall have left or right outlet. Bath shall be ADA compliant when installed with seat at head end. Bath shall be drilled for K-9620 grip rails (required). Bath shall be less all trim. Bath shall be Kohler Model K-\_\_\_\_\_-\_\_\_\_\_.

# GUARDIAN™

## PRODUCT INFORMATION

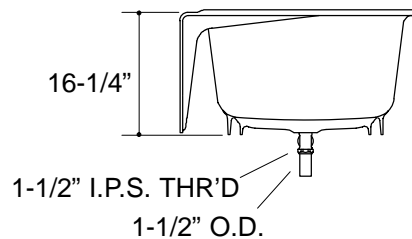
Fixture*:	basin area	top area	weight
Bathing well	45" x 22"	55" x 25"	351 lbs.
	water depth	capacity	
To overflow	10-7/8"	43 gal.	

\* Approximate measurements for comparison only.



### Roughing-In Notes

No change in measurements if connected with drain illustrated.



1.25>132

## PRODUCT DIAGRAM