

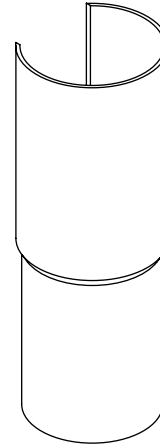
Features

- Brass construction
- Conceals drain in console table installations

Codes/Standards Applicable

- Specified model meets or exceeds the following:
- ASME A112.18.1/CSA B125.1

**DRAIN SHROUD
K-7709**



Colors/Finishes

- CP: Polished Chrome
- PB: Vibrant[®] Polished Brass
- Other: Refer to Price Book for additional colors/finishes

Specified Model

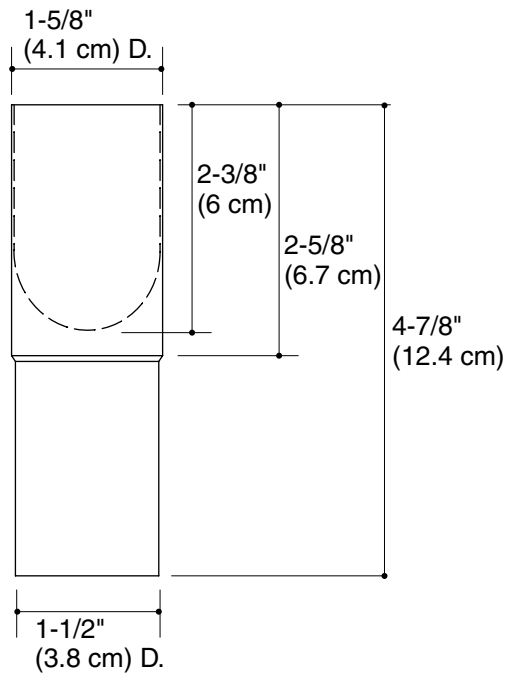
Model	Description	Colors/Finishes		
K-7709	Drain shroud	<input type="checkbox"/> CP	<input type="checkbox"/> PB	<input type="checkbox"/> Other _____

Product Specification

Drain shroud shall be of brass construction. Product conceals drains and is intended for console table installations. Drain shroud shall be Kohler Model K-7709-_____-_____.

Installation Notes

Install this product according to the installation guide.



Product Diagram