

**KITCHEN SINK FAUCET
K-7337**

ADA

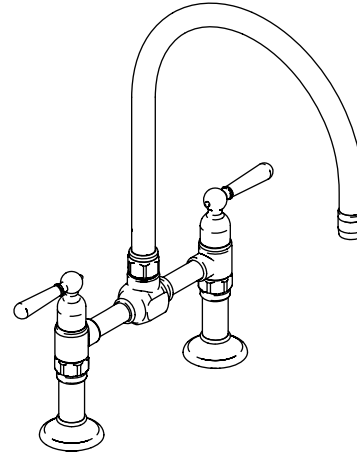
Features

- *Stainless steel construction*
- *Two quarter-turn washerless ceramic disc valves*
- *10" (25.6 cm) gooseneck swing spout*
- *For 8" (20.3 cm) centers*
- *ADA compliant lever handles*
- *2.2 gpm (8.3 lpm) gallon flow rate*

Codes/Standards Applicable

Specified model meets or exceeds the following:

- *ASME A112.18.1/CSA B125.1*
- *IAPMO/cUPC*
- *NSF 61*
- *ADA*
- *Energy Policy Act of 1992*



Colors/Finishes

- BS: Brushed Stainless Steel
- S: Polished Stainless Steel

Accessories:

- BS: Brushed Stainless Steel
- S: Polished Stainless Steel

Specified Model

Model	Description	Colors/Finishes	
K-7337-4	Kitchen sink faucet – two lever handles	<input type="checkbox"/> BS	<input type="checkbox"/> S
Recommended Accessories			
K-7344-4	HiRise independent sidespray with lever handle	<input type="checkbox"/> BS	<input type="checkbox"/> S
K-7346	HiRise soap/lotion dispenser	<input type="checkbox"/> BS	<input type="checkbox"/> S

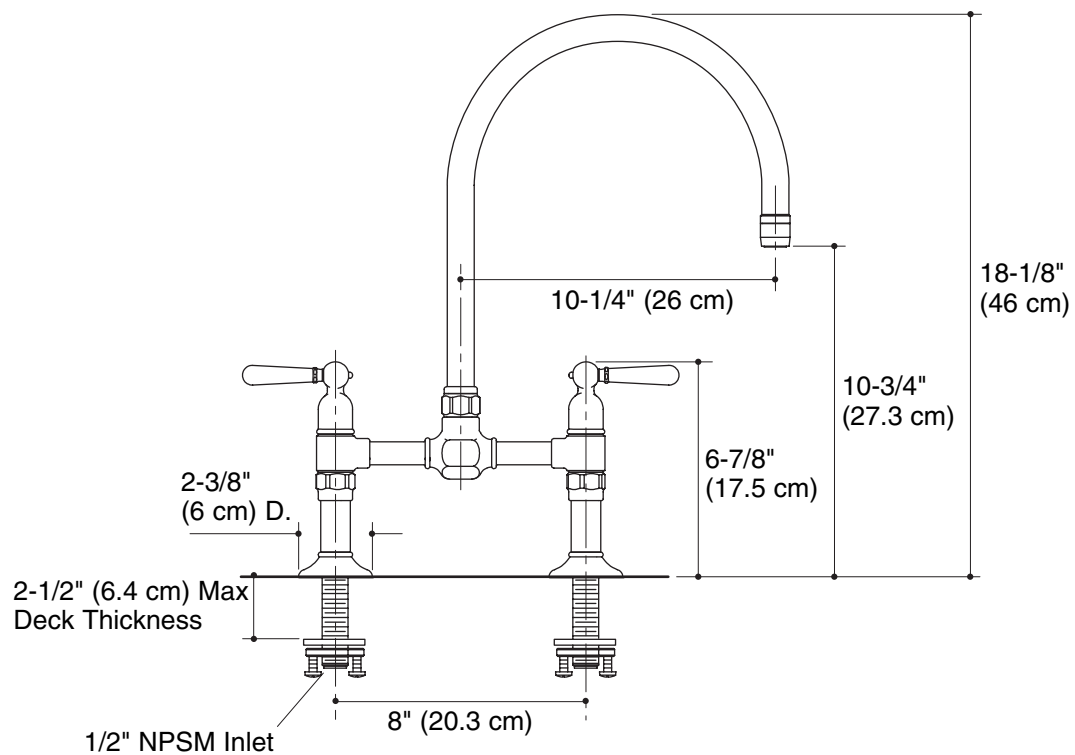
Product Specification

The two-handle kitchen sink faucet shall be constructed of stainless steel. Faucet shall feature two quarter-turn washerless ceramic disc valves, assuring positive handle stop positioning. Faucet shall have feature a 10" (25.6 cm) gooseneck swing spout, 2.2 gpm (8.3 lpm) gallon flow rate, and ADA compliant lever handles. Faucet shall be for 8" (20.3 cm) centers. Faucet shall be Kohler Model K-7337-4-_____.

HIRISE™

Installation Notes

Install this product according to the installation guide.



Product Diagram