

**SERVICE SINK FAUCET  
K-7309-5A**

ADA

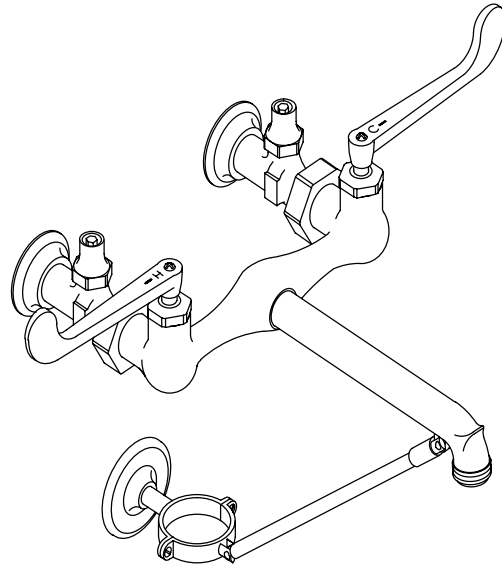
**FEATURES**

- Brass construction
- For 8" centers
- Brass valve bodies
- Valvet® valves
- 9-3/4" plain end spout
- 14-1/4" wall-to-spout outlet
- Wristblade handles
- Pail hook
- Loose key stops
- Lower pipe and wall brace

**CODES/STANDARDS APPLICABLE**

Specified model meets or exceeds the following:

- ASME/ANSI A112.18.1M
- CSA B125
- IAPMO/UPC



**COLORS/FINISHES**

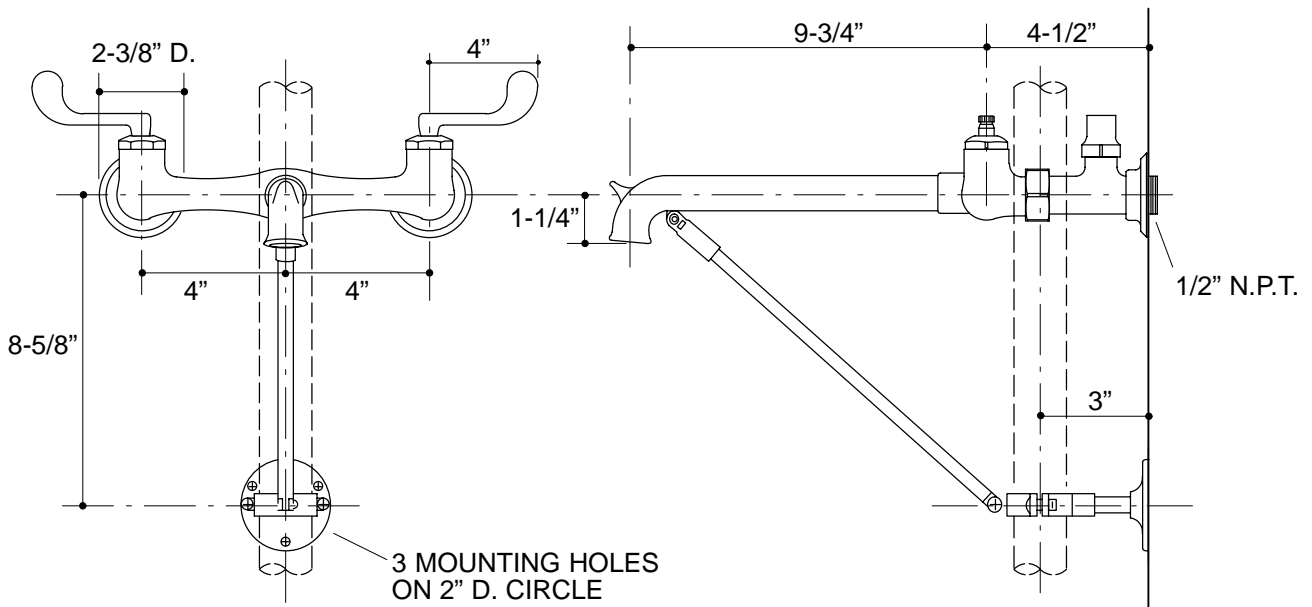
- CP Polished Chrome

**SPECIFIED MODEL:**

Model	Description	
K-7309-5A	Service Sink Faucet	<input type="checkbox"/> CP

**PRODUCT SPECIFICATION:**

Two-handle service sink faucet shall be of brass construction. Faucet shall feature brass valve bodies. Faucet shall also feature Valvet valves. Product shall include 8" centers, 9-3/4" plain end spout, 14-1/4" wall-to-spout outlet, wristblade handles, pail hook, loose key stops, and lower pipe and wall brace. Faucet shall be Kohler Model K-7309-5A-CP.



316

## PRODUCT DIAGRAM