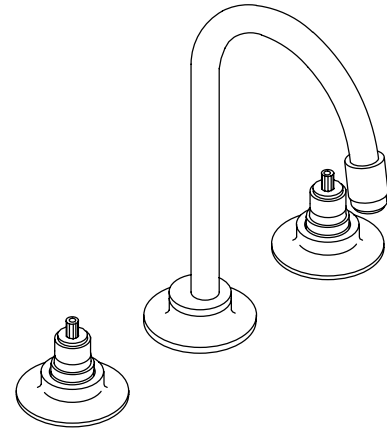


**LAVATORY BASE FAUCET
K-7304-K
ALSO K-7304-5A**

FEATURES

- Brass construction
- Flexible connections
- Brass valve bodies
- Quarter-turn washerless ceramic disc valves
- 5-1/4" gooseneck spout
- Available with standard or vandal-resistant Water-Guard® aerator
- 2.0 gallons per minute
- Variety of handle style options



CODES/STANDARDS APPLICABLE

Specified model meets or exceeds the following:

- ASME/ANSI A112.18.1M
- Energy Policy Act of 1992
- NSF 61

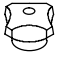




COLORS/FINISHES

- CP Polished Chrome

SPECIFIED MODEL:

BASE FAUCET: For complete faucet, both base faucet and handle choice must be specified.

Model	Description	
K-7304-K	With Standard Aerator	<input type="checkbox"/> CP
K-7304-KE	With Vandal-Resistant Aerator	<input type="checkbox"/> CP

Required Accessory (Includes Two Handles)		 ADA	 ADA	 ADA	 ADA
K-16012-2 Triton Standard Handles	<input type="checkbox"/> CP				
K-16012-3 Triton Cross Handles		<input type="checkbox"/> CP			
K-16012-4 Triton Lever Handles			<input type="checkbox"/> CP		
K-16012-5 Triton Wristblade Lever Handles				<input type="checkbox"/> CP	
K-16022-5 Finesse Wrist Control Lever Handles					<input type="checkbox"/> CP

COMPLETE FAUCET: Faucet handles included.

K-7304-5A	With Wristblade Handles and Standard Aerator	<input type="checkbox"/> CP
-----------	--	-----------------------------

Optional Accessory on Page 2.

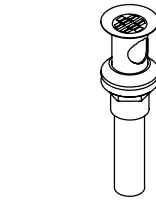
PRODUCT SPECIFICATION:

Two-handle widespread lavatory base faucet shall be of brass construction. Faucet shall feature brass valve bodies. Faucet shall feature quarter-turn washerless ceramic disc valves, assuring positive handle stop positioning. Product shall be less drain and lift rod. Product shall include flexible connections, and 5-1/4" gooseneck spout. Optional feature shall be standard or vandal-resistant Water-Guard aerator. Base faucet shall be Kohler Model K-7304-____-CP and handles shall be Kohler Model K-____-____-CP **OR** complete faucet shall be Kohler Model K-7304-5A-CP.

TRITON™ /FINESSE™

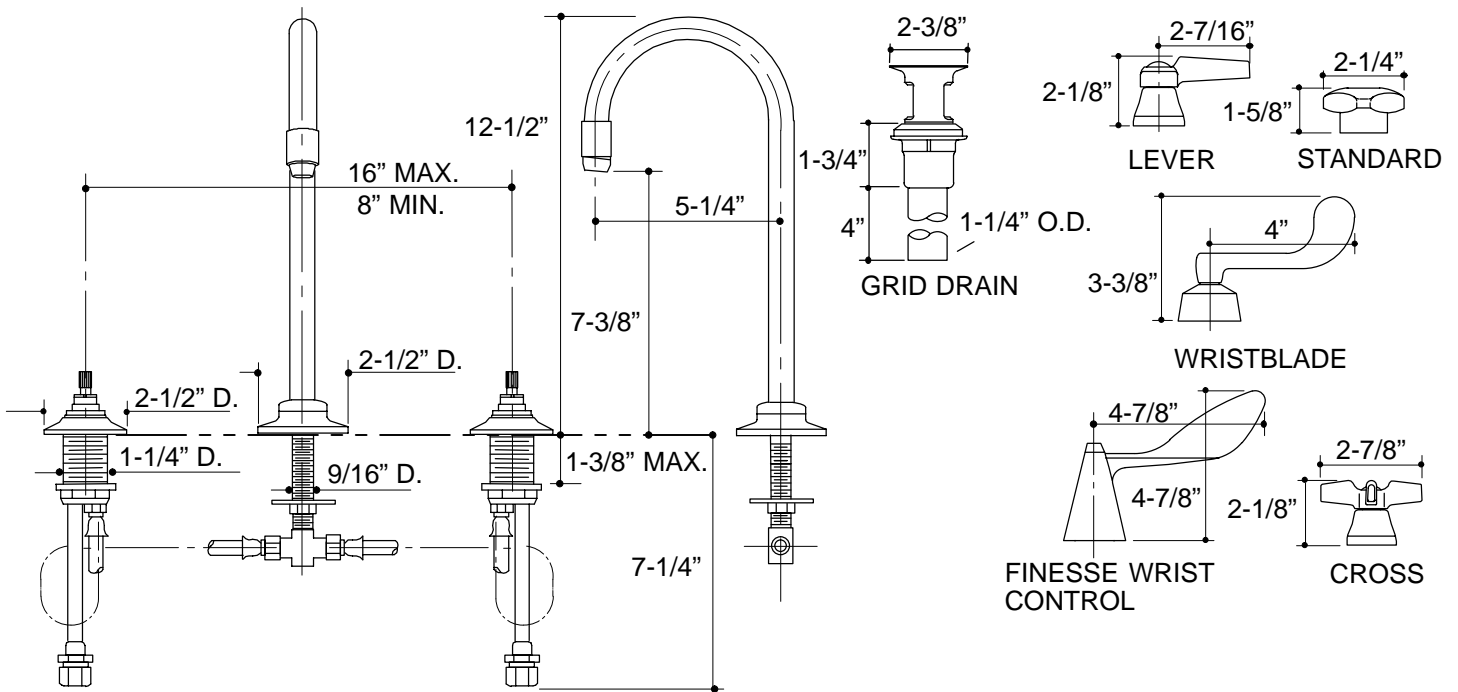
Optional Accessory

K-7715 Grid Drain



CP

PB



316

PRODUCT DIAGRAM

K-7304-5A, K-7304-K Triton™/Finesse™ Lavatory Faucet

Page 2 of 2

114145-4-FA (-)

THE BOLD LOOK
KOHLER