

**BATH FAUCET TRIM  
K-T10278**

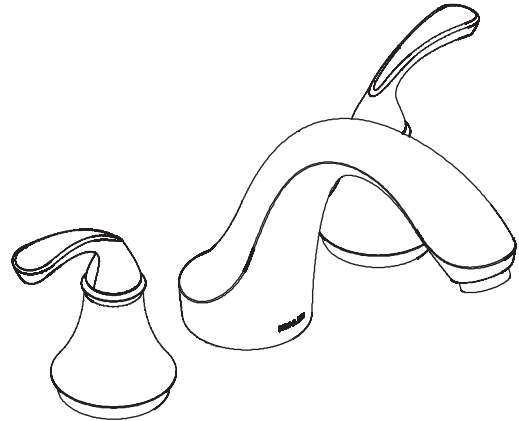
**Features**

- Brass construction
- Bath- or deck-mount
- Lever handles
- 7" (17.8 cm) non-diverter spouts with slip-fit connection

**Codes/Standards Applicable**

Specified model meets or exceeds the following:



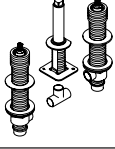
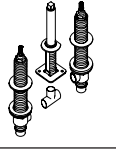
- ASME A112.18.1
- CSA B125
- IAPMO/UPC
- ADA



**Colors/Finishes**

- CP: Polished Chrome
- PB: Polished Brass
- Other: Refer to Price Book for additional colors/finishes

**Specified Model**

Model	Description	 ADA			 ADA		
K-T10278-4	Forte® bath faucet trim with sculpted lever handles	<input type="checkbox"/> CP	<input type="checkbox"/> PB	<input type="checkbox"/> Other _____			
K-T10278-4A	Forte® bath faucet trim with traditional lever handles				<input type="checkbox"/> CP	<input type="checkbox"/> PB	<input type="checkbox"/> Other _____
Required Accessory							
K-300-K	1/2" high-flow ceramic disc valve system	<input type="checkbox"/> NA					
K-301-K	3/4" high-flow ceramic disc valve system				<input type="checkbox"/> NA		

**Product Specification**

Two-handle deck-mount high-flow bath faucet trim shall be of brass construction. Product shall include a 7" (17.8 cm) non-diverter spout with slip-fit connection. Faucet trim shall be Kohler Model K-T10278-\_\_\_\_\_-\_\_\_\_\_- and valve system shall be Kohler Model K-\_\_\_\_\_-K-NA.

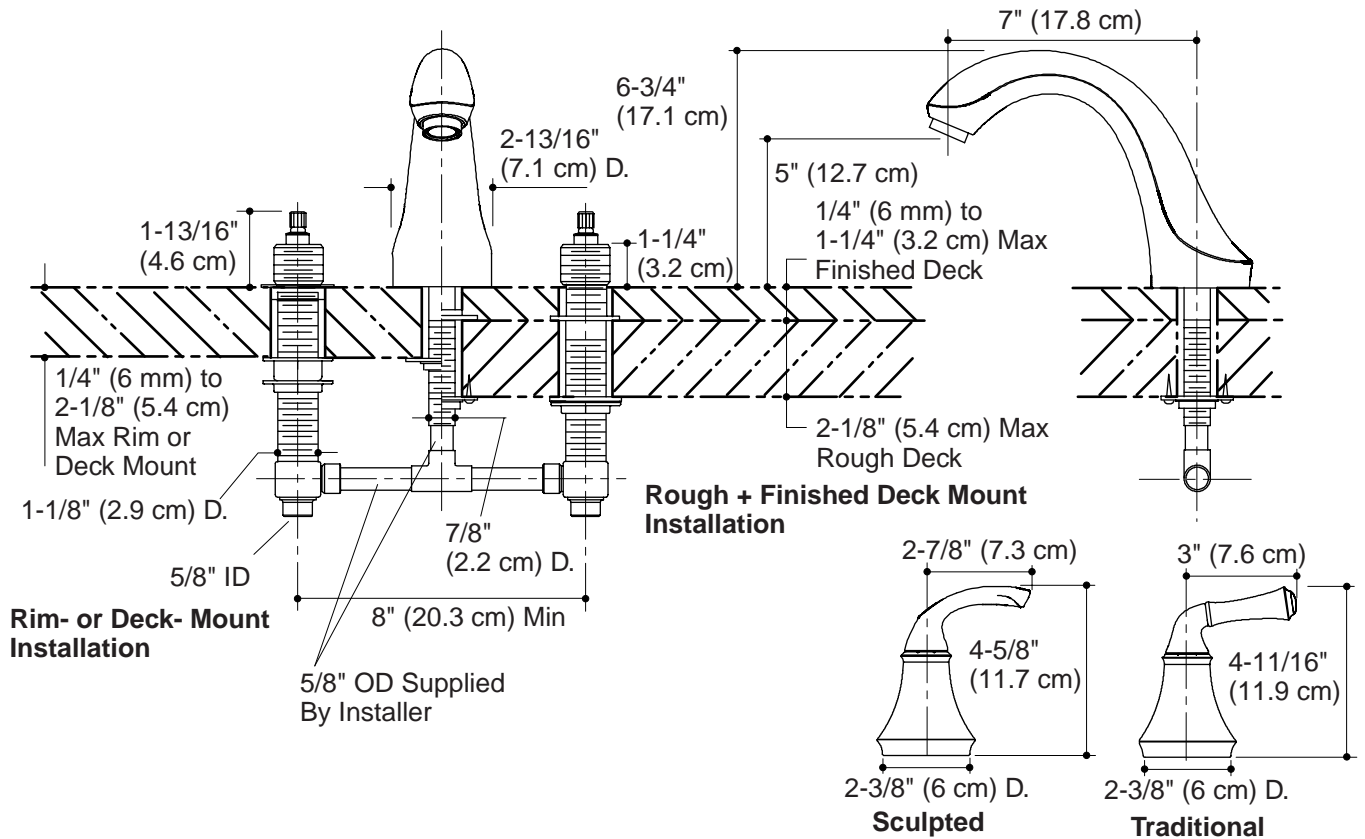
# FORTE®

## Technical Information

Applicable faucet trim:		
Sculpted handles with 7" (17.8 cm) spout	K-T10278-4	
Traditional handles with 7" (17.8 cm) spout	K-T10278-4A	
Applicable valve:		
1/2" valve system	K-300-K-NA	required*
3/4" valve system	K-301-K-NA	required*
* Valve system required.		
Handles are ADA compliant.		<b>ADA</b>

## Installation Notes

Install this product according to the installation guide.



## Product Diagram