

Features

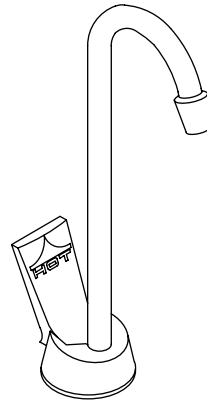
- Brass construction
- Gooseneck spout
- Dispenses up to 60 cups (14 liters) of 200°F (93°C) water per hour

**HOT WATER DISPENSER
K-9607-R
ALSO K-9609-R**

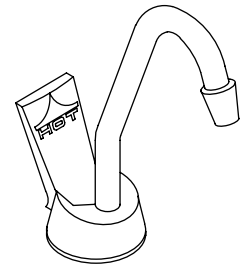
Codes/Standards Applicable

Specified model meets or exceeds the following:

- Underwriter's Laboratories (UL, cUL)
- NSF 4
- ASSE 1023



K-9607-R



K-9609-R

Colors/Finishes

- CP: Polished Chrome

Specified Model:

Model	Description	
K-9607-R	With 10" (25.4 cm) high, 3" (7.6 cm) gooseneck spout	<input type="checkbox"/> CP
K-9609-R	With 6-1/2" (16.5 cm) high, 4-1/2" (11.4 cm) gooseneck spout	<input type="checkbox"/> CP

Product Specification

Hot water dispenser shall be of brass construction. Hot water dispenser shall feature a gooseneck spout. Hot water dispenser can dispense up to 60 cups of 200°F (93°C) water per hour. Hot water dispenser shall be Kohler Model K-_____-R-CP.

PIPING HOT®

Required Electrical Service

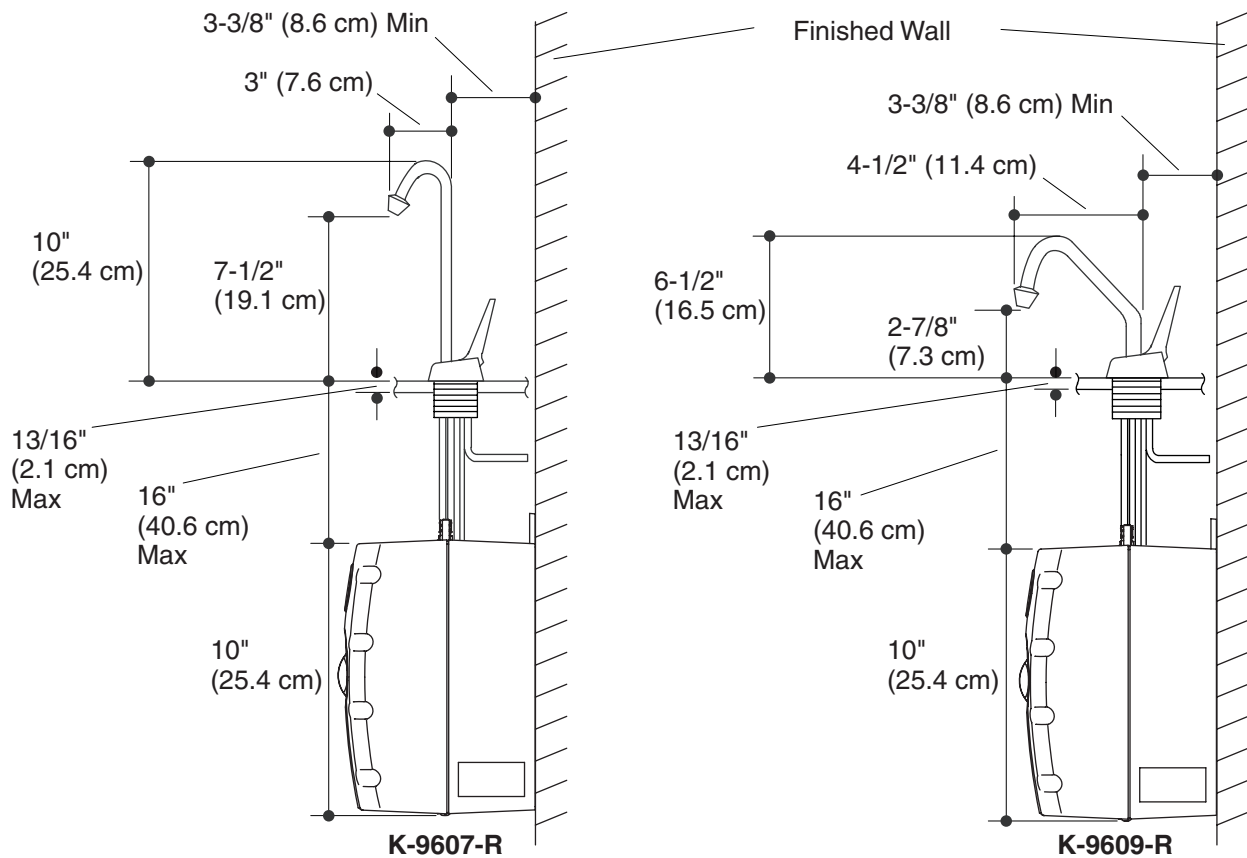
Service requirements	120 V, 6.5 A, 750 Watts
----------------------	-------------------------

Installation Notes

Install this product according to the installation guide.

There is a required 1-1/4" (3.2 cm) to 1-1/2" (3.8 cm) D. hole for the faucet spout shank.

The maximum allowable sink/countertop thickness for mounting this faucet is 13/16" (2.1 cm). Thicker countertops require the use of a deep rough-in kit. To order the kit, call 1-800-558-5700. (part # is EXT-10).



Product Diagram