

**SPEAKER  
K-8033**

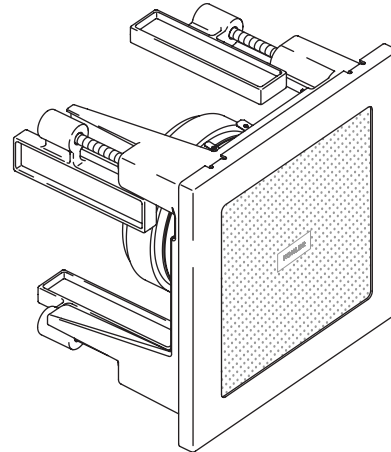
**Features**

- Mounts within a standard 2x4 wall
- Mounts to the wall or ceiling
- Speaker installs after finished wall is complete
- Low profile design
- Complements the WaterTile™ product line

**Codes/Standards Applicable**

Specified model meets or exceeds the following:

- Underwriters Laboratory (UL 1480)



**Colors/Finishes**

- CP: Polished Chrome
- Other: Refer to Price Book for additional colors/finishes

**Specified Model**

Model	Description	<input type="checkbox"/> CP	<input type="checkbox"/> Other _____
K-8033	Speaker		

**Product Specification**

The speaker shall mount within a standard 2x4 wall. Speaker shall mount to either the wall or ceiling. The speaker shall be installed after the finished wall is complete. Speaker shall have a low profile design and complement the WaterTile™ product line. Speaker shall be Kohler Model K-8033-\_\_\_\_\_.

# SOUNDTILE™

## Technical Information

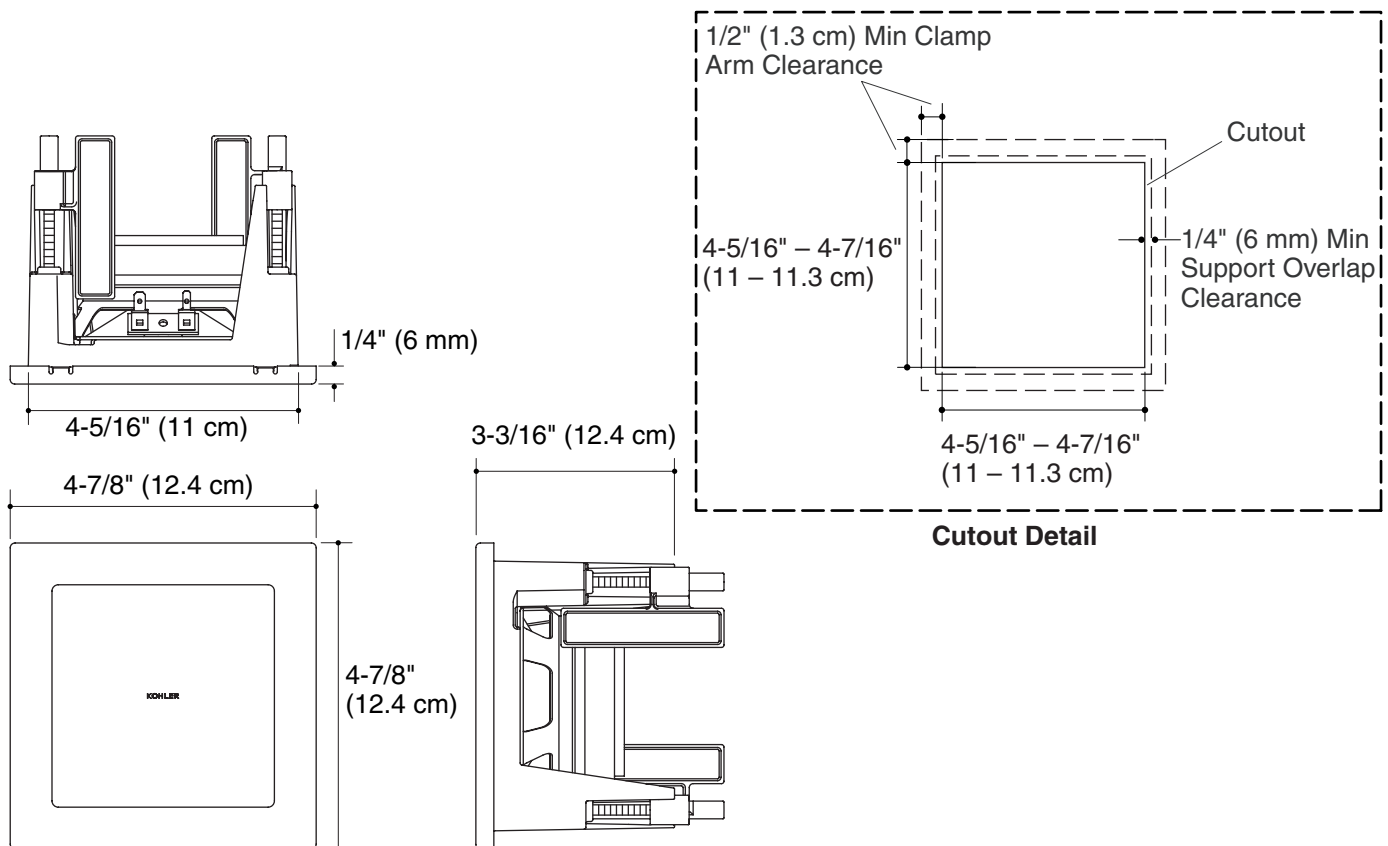
Specifications:	
Peak Power	135 Watts
Average Power	45 Watts
Frequency Response	85 Hz - 22 kHz
Nominal Impedance	4 Ohms
Ambient Temperature	Max 122°F (50°C)

## Installation Notes

Install this product according to the installation guide.

Recommended wire connections using solder or standard quick-disconnect terminals (0.187" x 0.020" for the positive connection and 0.110" x 0.020" for the negative connection).

Installer to provide sheathed speaker wire.



**Product Diagram**