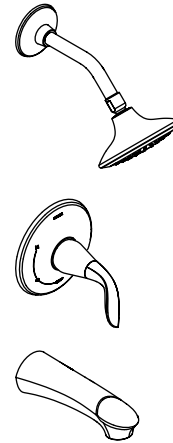


Features

- Premium construction
- MasterClean™ spray nozzles to prohibit mineral build-up for easy cleaning
- Push button diverter on bath and shower trim models [K-T5319, K-T5321]
- Intended for use with Rite-Temp® or HiFlow Rite-Temp® valves
- Heavy duty slip-fit clamp design and NPT threaded spout

**BATH AND SHOWER VALVE TRIM
K-T5318**

ALSO K-T5319, K-T5320



Codes/Standards Applicable

Specified model meets or exceeds the following:

- ASME A112.18.1/CSA B125.1

Colors/Finishes

- CP: Polished Chrome
- Other: Refer to Price Book for additional colors/finishes
- NA: None applicable

Specified Model

| Model | Description | Colors/Finishes | |
|-----------|--|-----------------------------|-------------------------------------|
| K-T5318-4 | Bath and shower valve trim (shown) | <input type="checkbox"/> CP | <input type="checkbox"/> Other ____ |
| K-T5319-4 | Shower trim only with diverter button | <input type="checkbox"/> CP | <input type="checkbox"/> Other ____ |
| K-T5320-4 | Shower trim only less diverter button | <input type="checkbox"/> CP | <input type="checkbox"/> Other ____ |
| K-T5321-4 | Mixing valve trim with diverter button – ADA compliant | <input type="checkbox"/> CP | <input type="checkbox"/> Other ____ |
| K-T5322-4 | Mixing valve trim less diverter button – ADA compliant | <input type="checkbox"/> CP | <input type="checkbox"/> Other ____ |

| Required Accessories | | |
|----------------------|---|-----------------------------|
| K-304-** | Rite-Temp® pressure-balancing valve OR | <input type="checkbox"/> NA |
| K-2971-** | HiFlow Rite-Temp valve with stops OR | <input type="checkbox"/> NA |
| K-11748-** | Rite-Temp valve with push-button diverter | <input type="checkbox"/> NA |

** For a complete listing of all the Rite-Temp valves, refer to the individual valve Specification Sheet or Roughing-In Sheet.

Product Specification

The bath and shower valve trim shall be made of premium construction. Valve shall have MasterClean spray nozzles to prohibit mineral build-up for easy cleaning. Valve shall have a push button diverter on trim models [K-T5319, K-T5321]. Valve shall have heavy duty slip-fit clamp design and NPT threaded spout. Valve is intended for use with Rite-Temp or HiFlow Rite-Temp valves. Valve trim shall be Kohler Model K-T____-____ and Rite-Temp valving shall be K-____-____-NA.

REFINIA™ RITE-TEMP®

Optional Accessories

| | | | | |
|---------|---|-----------------------------|-----------------------------|-------------------------------------|
| 88526 | Thin wall installation kit for K-2971-KS HiFlow Rite-Temp valve | <input type="checkbox"/> | <input type="checkbox"/> CP | <input type="checkbox"/> Other ____ |
| 1073881 | Deep roughing-in kit for K-304 and K-2971 Rite-Temp valve | <input type="checkbox"/> NA | | |
| 1156950 | Deep roughing-in kit for K-11748 Rite-Temp valve | | <input type="checkbox"/> CP | <input type="checkbox"/> Other ____ |
| K-45129 | Shower arm and flange | | <input type="checkbox"/> CP | <input type="checkbox"/> Other ____ |
| K-5327 | Diverter bath spout | | <input type="checkbox"/> CP | <input type="checkbox"/> Other ____ |
| K-5328 | Non-diverter bath spout | | <input type="checkbox"/> CP | <input type="checkbox"/> Other ____ |

Installation Notes

Install the valve trim according to the installation guide.

Install the Rite-Temp valve according to the installation guide.

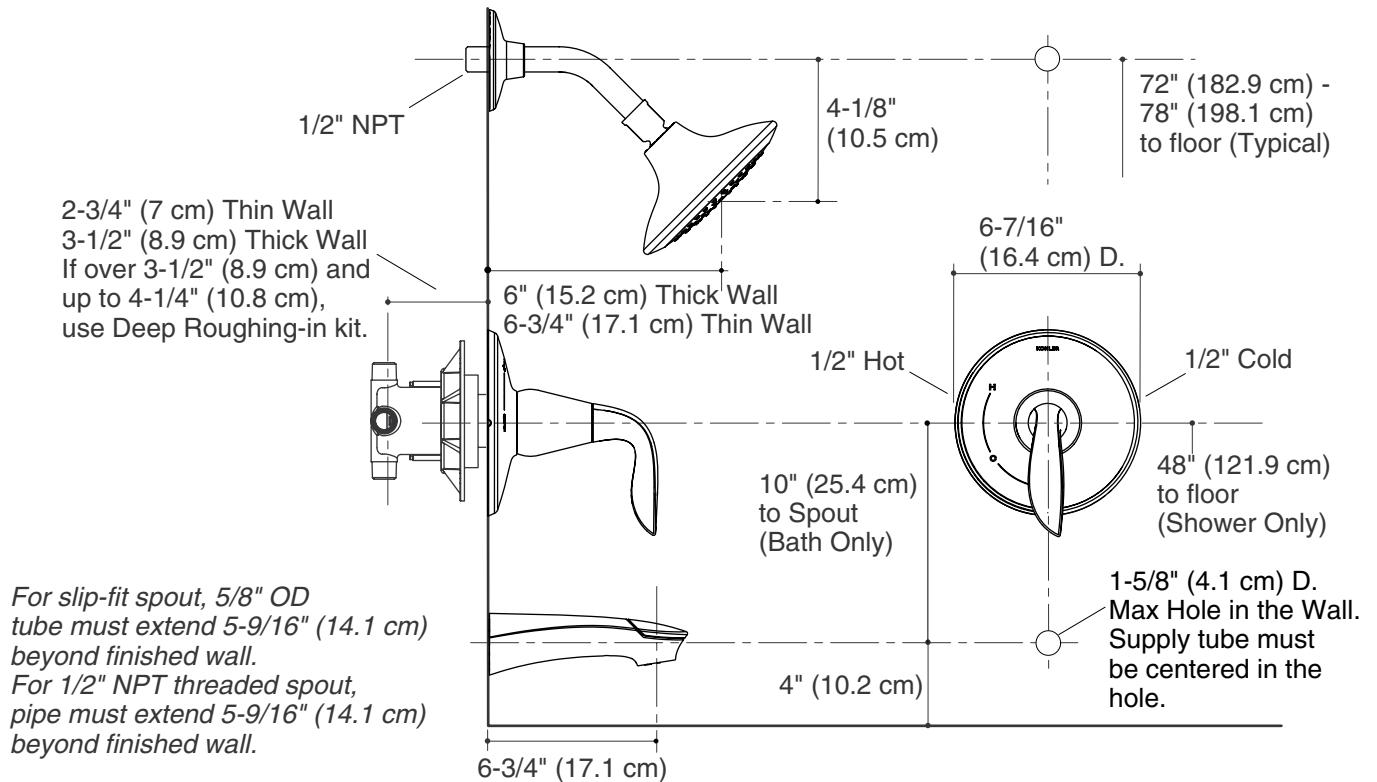


CAUTION: Risk of product damage. Long screws, for installing trim, can damage the K-2971-KS valve. Consult the trim installation guide to verify if the thin wall installation kit (88526) is needed.

Avoid cross-flow conditions. Do not install a shut-off device on either valve outlet.

Cap the shower outlet if the deck-mounted spout, diverter, or handshower is connected to the spout outlet.

Install a 7" (17.8 cm) to 18" (45.7 cm) straight pipe or straight tube with single bath elbow between the valve and the wall-mount spout.



Product Diagram

REFINIA™ RITE-TEMP® BATH AND SHOWER VALVE TRIM

Page 2 of 2
1157045-4-C

THE BOLD LOOK
OF **KOHLER**®