

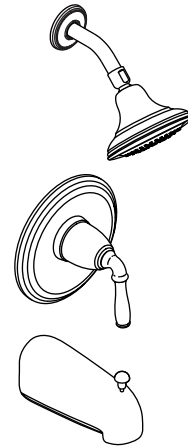
DEVONSHIRE® RITE-TEMP®

Features

- Metal construction
- Intended for use with Rite-Temp® or HiFlow Rite-Temp® valves
- Includes showerhead with arm and flange, 5-1/4" (133 mm) diverter spout with NPT or slip-fit connection, and faceplate with handle [K-T395]
- Includes showerhead with arm and flange, and faceplate with handle [K-T396]
- 2.0 gpm (7.6 lpm) showerhead with Katalyst™ Spray Technology

PRESSURE-BALANCING BATH AND SHOWER VALVE TRIM

K-T395
ALSO K-T396



Codes/Standards Applicable

Specified model meets or exceeds the following:

- ASME A112.18.1/CSA B125.1

Colors/Finishes

- CP: Polished Chrome
- PB: Vibrant® Polished Brass
- Other: Refer to Price Book for additional colors/finishes

Specified Model

Model	Description	Colors/Finishes		
K-T395-4E	Bath and shower valve trim – NPT diverter spout (shown)	<input type="checkbox"/> CP	<input type="checkbox"/> PB	<input type="checkbox"/> Other ____
K-T395-4SE	Bath and shower valve trim – slip-fit diverter spout	<input type="checkbox"/> CP	<input type="checkbox"/> PB	<input type="checkbox"/> Other ____
K-T396-4E	Shower valve trim	<input type="checkbox"/> CP		<input type="checkbox"/> Other ____

Rite-Temp valve must be ordered to complete faucet.

Applicable Bath Spout				
K-373	Non-diverter bath spout	<input type="checkbox"/> CP	<input type="checkbox"/> PB	<input type="checkbox"/> Other ____
K-373-S	Slip-fit diverter bath spout	<input type="checkbox"/> CP	<input type="checkbox"/> PB	<input type="checkbox"/> Other ____
K-389	Non-diverter bath spout	<input type="checkbox"/> CP	<input type="checkbox"/> PB	<input type="checkbox"/> Other ____
K-389-S	Slip-fit diverter bath spout	<input type="checkbox"/> CP	<input type="checkbox"/> PB	<input type="checkbox"/> Other ____

Product Specification

Valve trim shall be made of metal construction. Product shall be intended for use with Rite-Temp or HiFlow Rite-Temp valves. Bath and shower valve trim shall include showerhead with arm and flange, 5-1/4" (133 mm) diverter spout with NPT or slip-fit connection, and faceplate with handle. Shower valve trim shall include showerhead with arm and flange, and faceplate with handle. Product shall feature 2.0 gpm (7.6 lpm) showerhead with Katalyst Spray Technology. Product shall be Kohler Model K-____-____-____ with K-____-____-NA Rite-Temp® valve.

DEVONSHIRE® RITE-TEMP®

Technical Information

Required Accessories		
K-304-*	Rite-Temp® valve OR	<input type="checkbox"/> NA
K-2971-KS	HiFlow Rite-Temp valve with stops	<input type="checkbox"/> NA
For a complete listing of all the Rite-Temp valves, refer to the K-304-* Specification sheet or Roughing-in sheet.		

Optional Accessories			
88526	HiFlow Rite-Temp thin wall installation kit	<input type="checkbox"/> CP	<input type="checkbox"/> Other ___
1030932	Deep roughing-in kit for Rite-Temp valve (lever handles)	<input type="checkbox"/> NA	

Installation Notes

Install this product according to the installation guide.

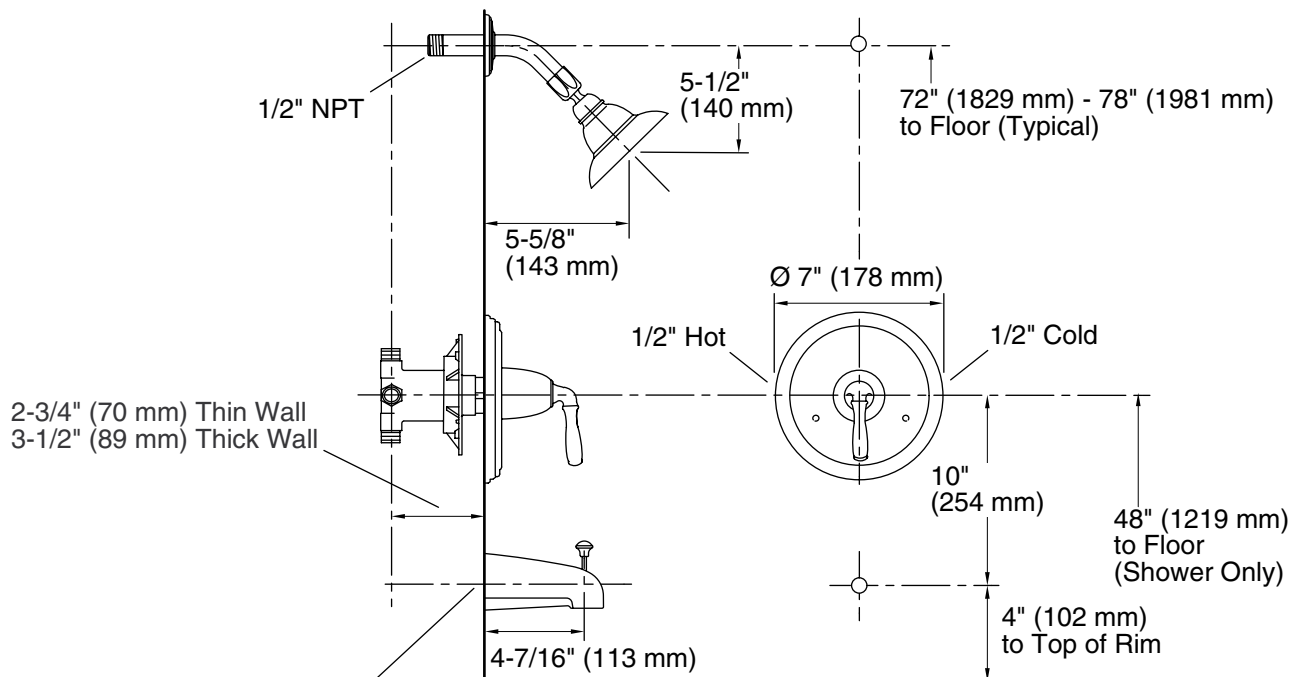
Install the Rite-Temp® valve according to the valve installation guide.

NOTICE: Risk of product damage. Long screws, for installing trim, can damage the K-2971-KS valve. Consult the trim installation guide to verify if the thin wall installation kit (88526) is needed.

Avoid cross-flow conditions. Do not install shut-off device on either valve outlet.

Cap shower outlet if deck-mounted spout, diverter, or handshower is connected to the spout outlet.

Install straight pipe or tube drop of 7" (178 mm) to 18" (457 mm) with single elbow between valve and wall-mount spout.



For slip-fit spout, 5/8" OD tube must extend 1-1/2" (38 mm) min to 2-7/8" (73 mm) max beyond the finished wall. For 1/2" NPT spout, pipe must extend 3-3/4" (95 mm) beyond the finished wall.

Complete bath and shower faucet with Rite-Temp valve and slip-fit diverter spout shown.

Product Diagram