

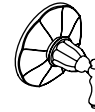
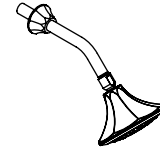
KELSTON® RITE-TEMP®

BATH AND SHOWER VALVE TRIM

K-T13492
ALSO K-T13493

Features

- Metal construction
- Intended for use with Rite-Temp® or HiFlow Rite-Temp® valves
- Heavy duty slip-fit clamp design
- Includes showerhead with arm and flange, diverter spout with 1/2" IPS threaded or slip-fit diverter spout, and faceplate with handle [K-T13492]
- Includes showerhead with arm and flange, and faceplate with handle [K-T13493]
- 2.0 gpm (7.6 lpm) showerhead with Katalyst™ Spray Technology



Codes/Standards Applicable

Specified model meets or exceeds the following:

- ASME A112.18.1/CSA B125.1

Colors/Finishes



- CP: Polished Chrome
- Other: Refer to Price Book for additional colors/finishes

Accessories

- NA: None applicable

Specified Model

Model	Description	Colors/Finishes	
K-T13492-4E	Bath and shower valve trim with 1/2" IPS threaded or slip-fit diverter spout	<input type="checkbox"/> CP	<input type="checkbox"/> Other ____
K-T13493-4E	Shower valve trim, less diverter spout	<input type="checkbox"/> CP	<input type="checkbox"/> Other ____
Rite-Temp valve must be ordered to complete faucet.			

Required Accessories			
K-304-*	Rite-Temp® valve OR	<input type="checkbox"/> NA	
K-2971-KS	HiFlow Rite-Temp valve with stops		<input type="checkbox"/> NA
* For a complete listing of all the Rite-Temp valves, refer to the K-304-* Specification sheet or Roughing-in sheet.			

Product Specification

Valve trim shall be made of metal construction. Product shall be intended for use with Rite-Temp or HiFlow Rite-Temp valves. Bath and shower valve trim shall include showerhead with arm and flange, diverter spout with 1/2" IPS threaded or slip-fit diverter spout, and faceplate with handle. Shower valve trim shall include showerhead with arm and flange, and faceplate with handle. Product shall feature 2.0 gpm (7.6 lpm) showerhead with Katalyst Spray Technology. Product shall have heavy duty slip-fit clamp design. Valve trim shall be Kohler Model K-T____-4E-____ and required Rite-Temp valve shall be K-____-____-NA.

KELSTON® RITE-TEMP®

Optional Accessories

88526	HiFlow Rite-Temp thin wall installation kit	<input type="checkbox"/> CP		<input type="checkbox"/> Other _____
1073881	HiFlow Rite-Temp thick wall installation kit		<input type="checkbox"/> NA	

Installation Notes

Install the valve trim according to the installation guide.

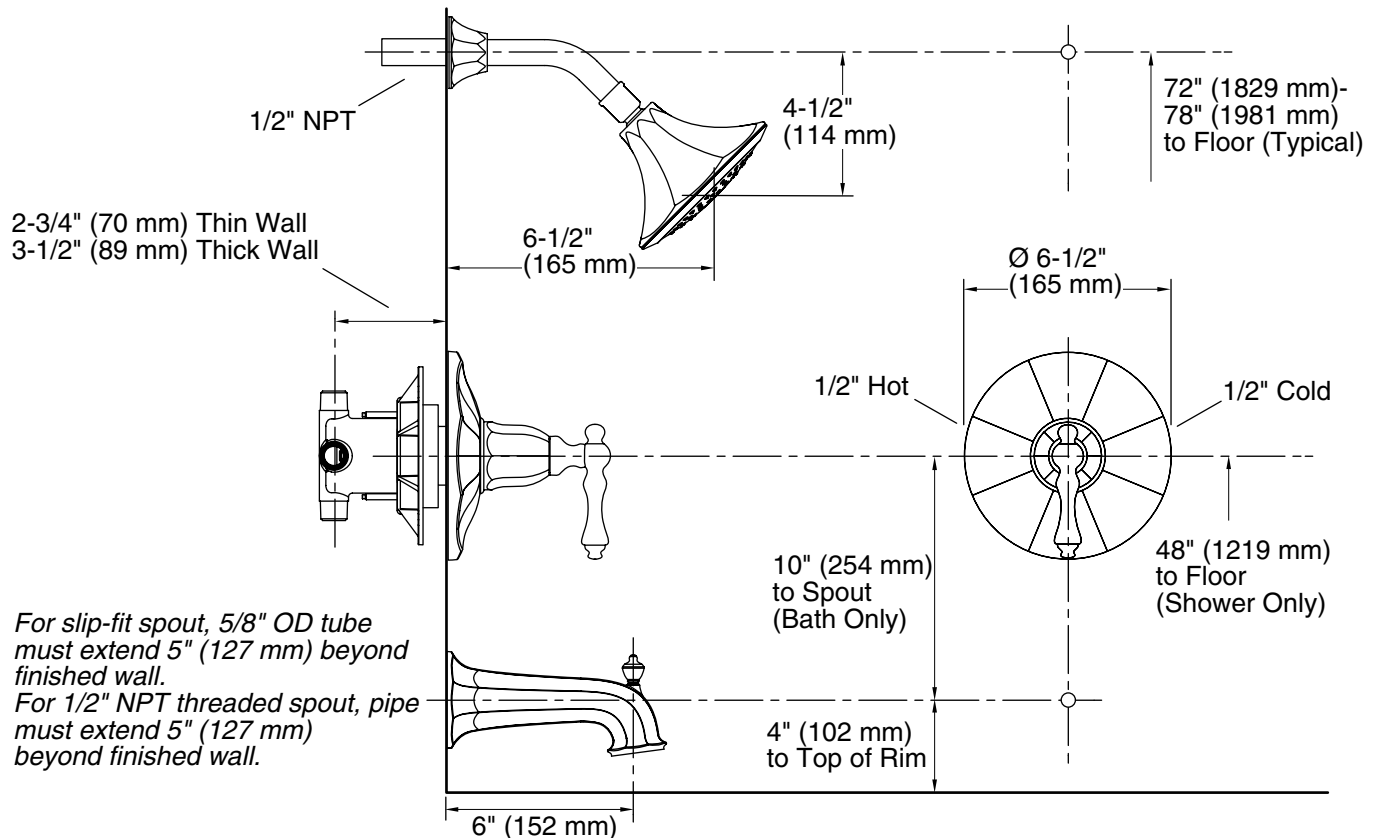
Install the Rite-Temp valve according to the installation guide.

NOTICE: Risk of product damage. Long screws, for installing trim, can damage the K-2971-KS valve. Consult the trim installation guide to verify if the thin wall installation kit (88526) is needed.

Avoid cross-flow conditions. Do not install a shut-off device on either valve outlet.

Cap the shower outlet if the deck-mounted spout, diverter, or handshower is connected to the spout outlet.

Install a 7" (178 mm) to 18" (457 mm) straight pipe or straight tube with single bath elbow between the valve and the wall-mount spout.



Product Diagram