

Features

- Metal construction
- Deck-mount
- Available with cross or lever handles
- 7-1/16" (17.9 cm) non-diverter spout with slip-fit connection

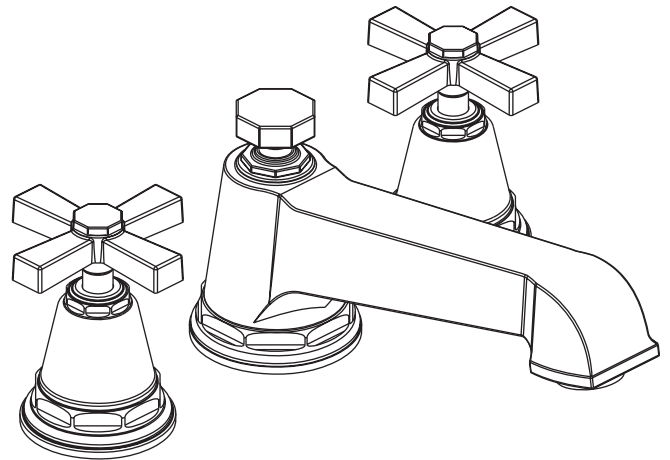
**DECK-MOUNT BATH FAUCET TRIM
K-T13140**

ADA

Codes/Standards Applicable

Specified model meets or exceeds the following:





- ASME A112.18.1
- CSA B125
- IAPMO/UPC
- ADA



Colors/Finishes

- CP: Polished Chrome
- Other: Refer to Price Book for additional colors/finishes

Specified Model

Model	Description	 ADA	 ADA	 ADA	 ADA
K-T13140-3A	Bath faucet trim with plain cross handles	<input type="checkbox"/> CP <input type="checkbox"/> Other			
K-T13140-3B	Bath faucet trim with grooved cross handles		<input type="checkbox"/> CP <input type="checkbox"/> Other		
K-T13140-4A	Bath faucet trim with plain lever handles			<input type="checkbox"/> CP <input type="checkbox"/> Other	
K-T13140-4B	Bath faucet trim with grooved lever handles				<input type="checkbox"/> CP <input type="checkbox"/> Other

Product Specification

Two-handle deck-mount high-flow bath faucet trim shall be of metal construction. Product shall include 7-1/16" (17.9 cm) non-diverter spout, with slip-fit connection, and handles. Faucet trim shall be Kohler Model K-T13140-____-____ and valve system shall be Kohler Model K-____-K__-NA.

PINSTRIPETM

Required Accessory

K-300-K	1/2" High-flow ceramic disc valve system
K-300-KR	1/2" High-flow ceramic disc valve system, rigid connections
K-301-K	3/4" High-flow ceramic disc valve system

Technical Information

Mexico faucets and fittings have an M after the first sequence of numbers (such as K-12345 M).	
Applicable faucet trim:	
Bath faucet trim with plain cross handles	K-T13140-3A
Bath faucet trim with grooved cross handles	K-T13140-3B
Bath faucet trim with plain lever handles	K-T13140-4A
Bath faucet trim with grooved lever handles	K-T13140-4B

Applicable valve*:

1/2" valve system	K-300-K	shown
1/2" valve system with rigid connections	K-300-KR	not shown
3/4" valve system	K-301-K	not shown

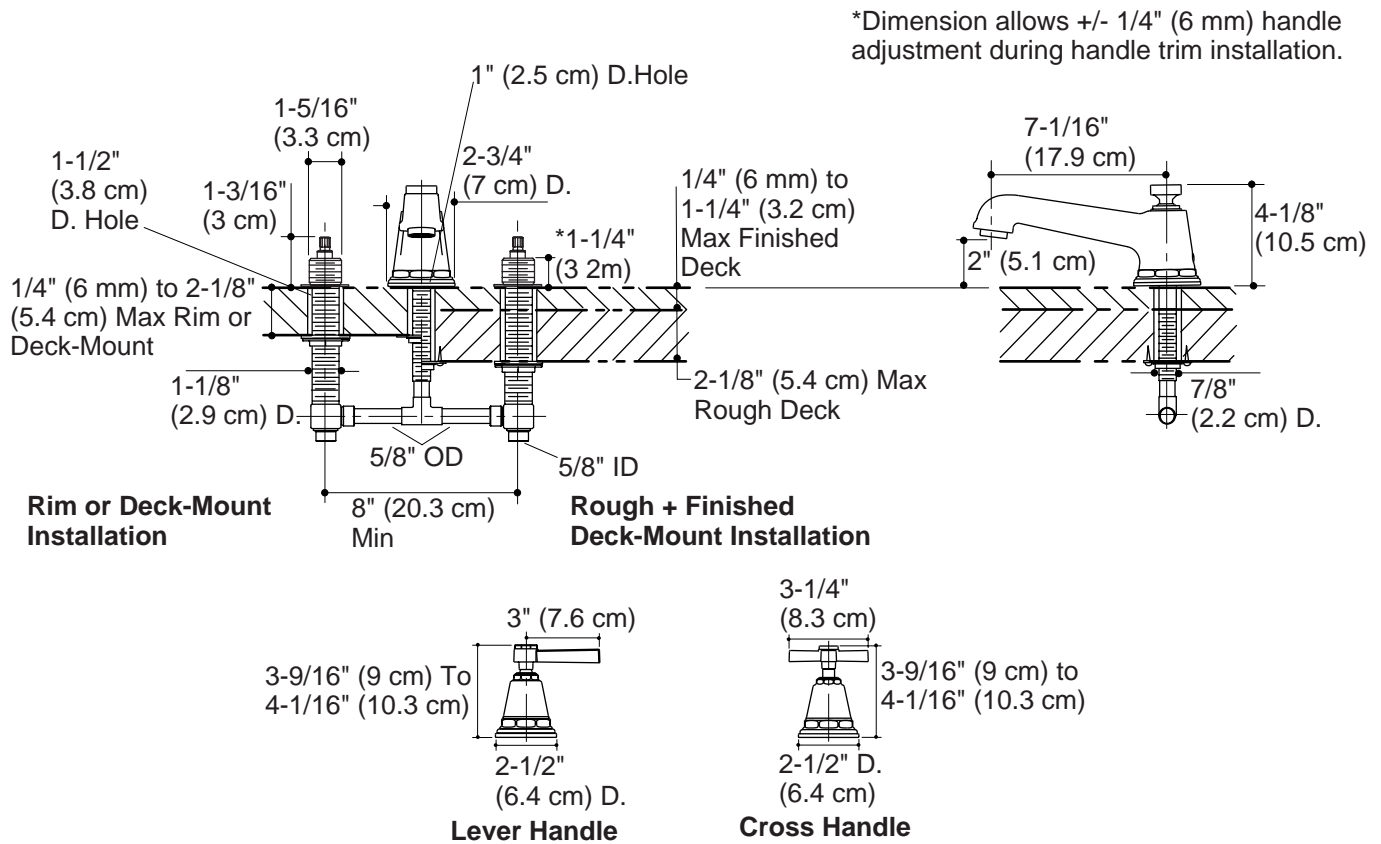
* Required for the configuration illustrated.

Handles are ADA compliant

ADA

Installation Notes

Install this product according to the installation guide.



Product Diagram