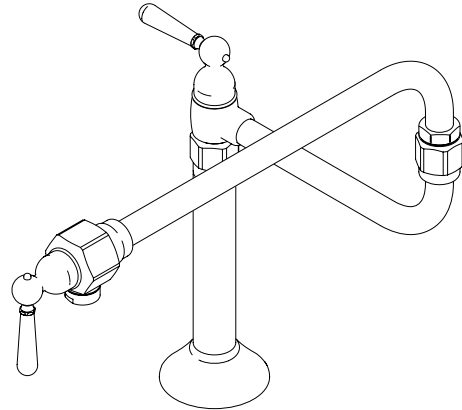


Features

- Metal construction
- Lever handles
- (2) Quarter-turn washerless ceramic disc valves
- 22" (55.9 cm) Extended reach swing spout
- 4 gallons (15.1 liters) per minute minimum flow rate at 45 psi (3.1 bars)

**DECK-MOUNT POT FILLER UTILITY FAUCET
K-7323**



Codes/Standards Applicable

Specified model meets or exceeds the following:

- ASME A112.18.1
- CSA B125
- IAPMO/UPC
- NSF 61
- ADA

Colors/Finishes

- BS: Brushed Stainless

Specified Model:

Model	Description	Color/Finish
K-7323	HiRise™ deck-mount pot filler with lever handles	<input type="checkbox"/> BS

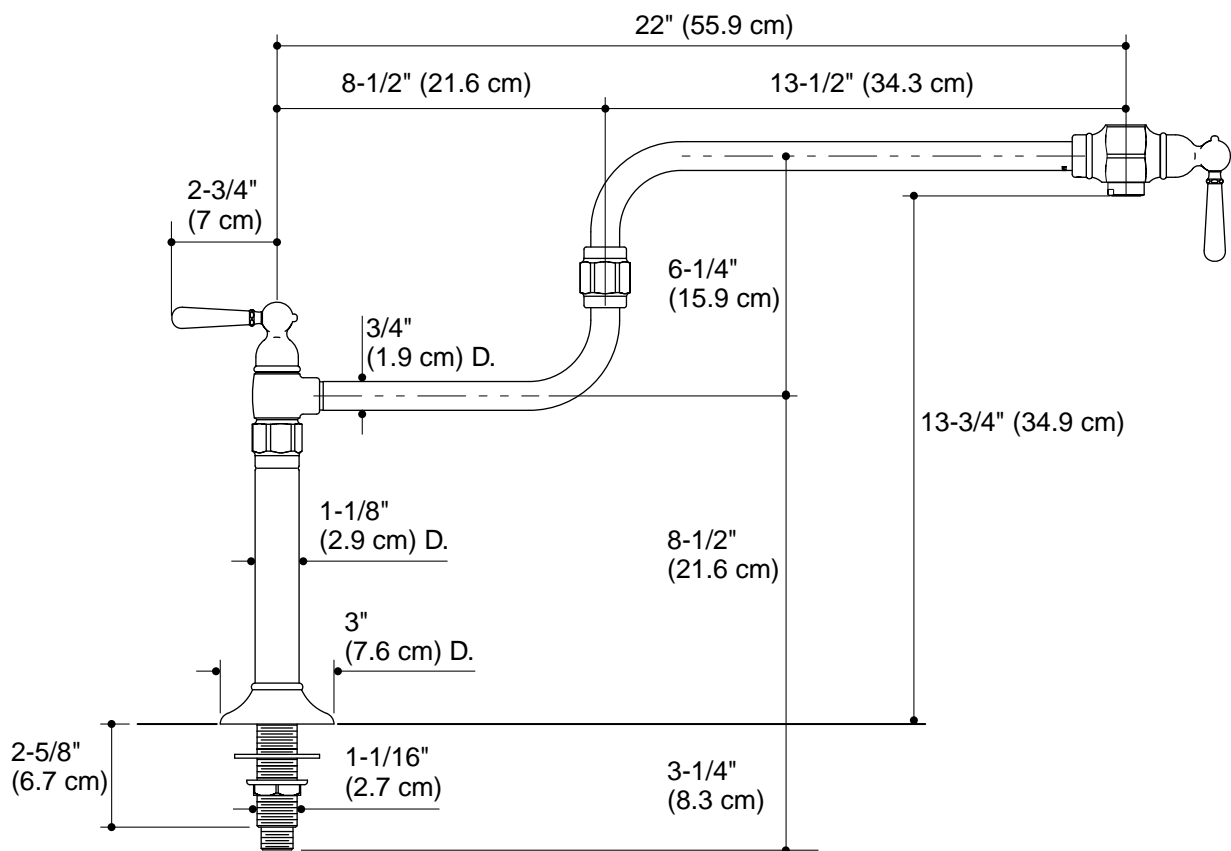
PRODUCT SPECIFICATION

Two-handle pot filler utility faucet shall be of stainless steel construction with Brushed Stainless finish. Faucet shall feature brass valve bodies with quarter-turn washerless ceramic disc valves. The deck-mount faucet shall have an overall reach of 22" (55.9 cm). The faucet shall have a minimum flow rate of 4.0 gallons (15.1 liters) per minute at 45 psi (3.1 bar). The faucet shall be ADA compliant. Faucet shall be Kohler Model K-7323-4-BS.

HIRISE™

Installation Notes

Install this product according to the installation guide.



Product Diagram