

**TRANSFER VALVE TRIM
K-T12189**

ADA

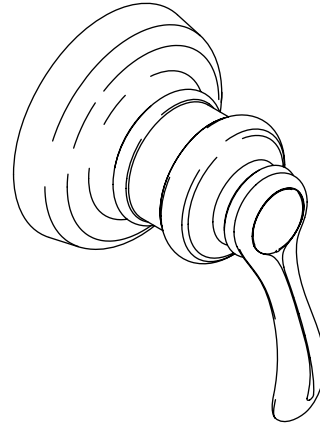
Features

- Brass construction
- Available with lever handle
- Front seal plate assembly
- Handle assembly
- Complements Fairfax® Suite

Codes/Standards Applicable

Specified model meets or exceeds the following:

- ASME A112.18.1
- CSA B125
- IAPMO/UPC
- ADA



Colors/Finishes

- CP: Polished Chrome
- PB: Polished Brass
- Other: Refer to Price Book for additional colors/finishes
- NA: None applicable

Specified Model

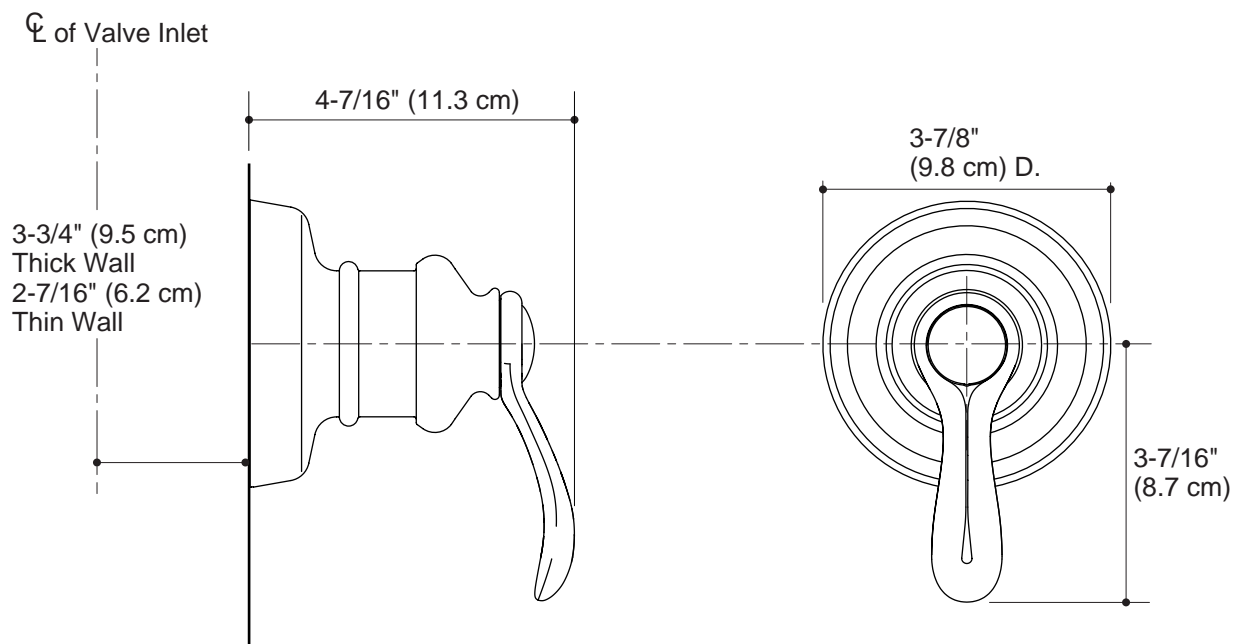
For complete faucet, both faucet trim and valving must be specified.			
Model	Description	Colors/Finishes	
K-T12189	Transfer valve trim	<input type="checkbox"/> CP	<input type="checkbox"/> PB <input type="checkbox"/> Other ____
Required Accessory			
K-672-K	3/4" Transfer valve	<input type="checkbox"/> NA	

Product Specification

Thermostatic faucet trim shall be of brass construction. Trim shall include front seal plate assembly and handle assembly. Product shall be available with lever handle. Trim shall complement the Fairfax® Suite. Transfer valve trim shall be Kohler Model K-T12189-____ and transfer valve shall be K-672-K-NA.

Installation Notes

Install this product according to the installation guide.



K-T12189

Product Diagram