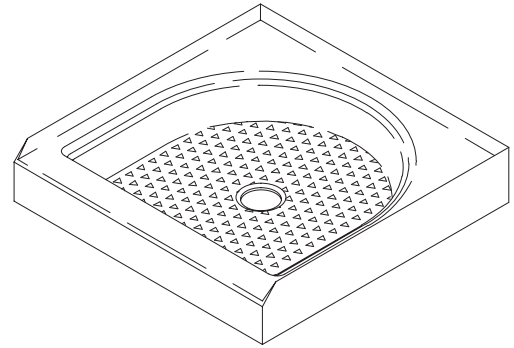


### SHOWER RECEPTOR

# K-9531, K-9532

## FEATURES

- 32" (81.3cm) x 31-3/4" (80.6cm) (K-9531)
- 36" (91.4cm) x 35-5/8" (90.5cm) (K-9532)
- Acrylic
- Terraced side walls
- Molded-in floor pattern



## CODES/STANDARDS APPLICABLE

Specified model meets or exceeds the following:

- ANSI Z124.2
- IAPMO/UPC (K-9532 only)
- State of Massachusetts (K-9532 only)

## COLORS/FINISHES

- 0 White
- Other Refer to Fixtures Price Book for additional colors

### Accessories:

- CP Polished Chrome
- PB Polished Brass
- SV Nevada Silver™
- BR New England Brass™
- SH Bright Silver
- BH Bright Brass
- Other Refer to Faucets Price Book for additional finishes

## SPECIFIED MODEL:

Model	Description	Colors/Finishes	
K-9531	32" (81.3cm) x 31-3/4" (80.6cm) receptor	<input type="checkbox"/> 0 White	<input type="checkbox"/> Other_____
K-9532	36" (91.4cm) x 35-5/8" (90.5cm) receptor	<input type="checkbox"/> 0 White	<input type="checkbox"/> Other_____

Recommended Accessories				
K-9132	Drain	<input type="checkbox"/> CP	<input type="checkbox"/> PB	<input type="checkbox"/> Other_____
Optional Accessories				
K-9881	Glassworks™ pivot shower door (for K-9531)* <b>OR</b>	<input type="checkbox"/> SV	<input type="checkbox"/> BR	
K-9886	Glassworks pivot shower door (for K-9531)*	<input type="checkbox"/> SV	<input type="checkbox"/> BR	
K-9883	Glassworks™ pivot shower door (for K-9532)* <b>OR</b>	<input type="checkbox"/> SV	<input type="checkbox"/> BR	
K-9856	Profile pivot shower door (for K-9532)* <b>OR</b>	<input type="checkbox"/> SV	<input type="checkbox"/> BR	
K-703028	Forum™ bypass shower door (for K-9532)*	<input type="checkbox"/> SH	<input type="checkbox"/> BH	<input type="checkbox"/> 0 White

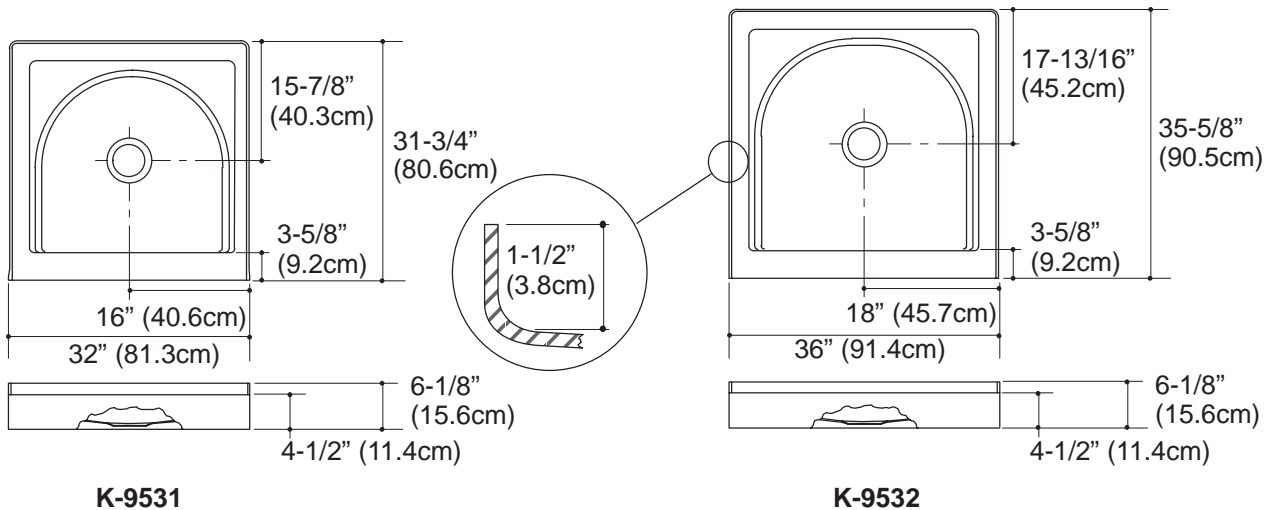
\* Refer to Fixtures Price Book for glass options.

## PRODUCT SPECIFICATION:

The shower receptor shall be 32" (81.3cm) in length and 31-3/4" (80.6cm) in width (K-9531) or 36" (91.4cm) in length and 35-5/8" (90.5cm) in width (K-9532). Shower receptor shall be made of acrylic. Shower receptor shall have terraced side walls. Shower receptor shall have molded-in floor pattern. Shower receptor shall be Kohler Model K-\_\_\_\_\_-\_\_\_\_\_.

## PRODUCT INFORMATION

Fixture:	
Weight, K-9531	33 lbs. (15 kg)
Weight, K-9532	47 lbs. (21.4 kg)
Configuration	1-piece
Drain Outlet	3-3/8" D. (8.6cm)



1.25>132

## PRODUCT DIAGRAM